

# TI-NFD0428

4MP IR Dome Network Camera



## Key Features

- ✓ 1/2.8" progressive scan CMOS
- ✓ Max. 4MP(2592×1520) @30fps resolution
- ✓ 2.8mm fixed lens
- ✓ WDR, 3D DNR, ROI, HLC, BLC, IVS
- ✓ Support face, human, vehicle detection and capture
- ✓ Built-in micro SD slot, IK10, IP67, PoE



## SPECIFICATIONS

CAMERA	
IMAGE SENSOR	1/2.8", 4.0 megapixel, progressive scan, CMOS
LENS	2.8mm@F2.0
ANGLE OF VIEW (H)	97.4°
ADJUSTMENT ANGLE	Pan:0° ~ 350°, Tilt:0° ~ 75°, Rotate:±90°
ELECTRONIC SHUTTER	Auto/Manual, 1/5 ~ 1/20000s
MINIMUM ILLUMINATION	Color: 0.003Lux (F1.2, AGC ON), 0Lux with IR
DAY/NIGHT	IR-cut filter with auto switch (ICR)
S/N RATIO	55dB
IR RANGE	Up to 30m (98.4ft) IR range
WIDE DYNAMIC RANGE	120 dB
VIDEO & AUDIO	
RESOLUTION & FRAME RATE	1920×1080, 1280×720 @ 25/30fps Stream2: D1, VGA, 640×360, CIF, QVGA @ 25/30fps Stream3: VGA, CIF, QVGA @ 25/30fps
WHITE BALANCE	Auto
NOISE REDUCTION	2D/3D DNR
VIDEO INTELLIGENCE	Line crossing detection, Intrusion detection, enter area detection, exit area detection, and face capture

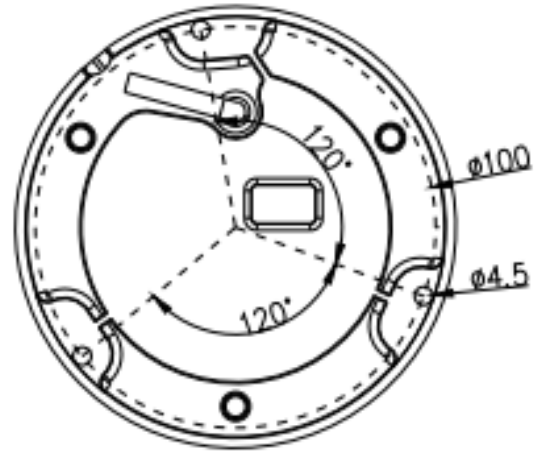
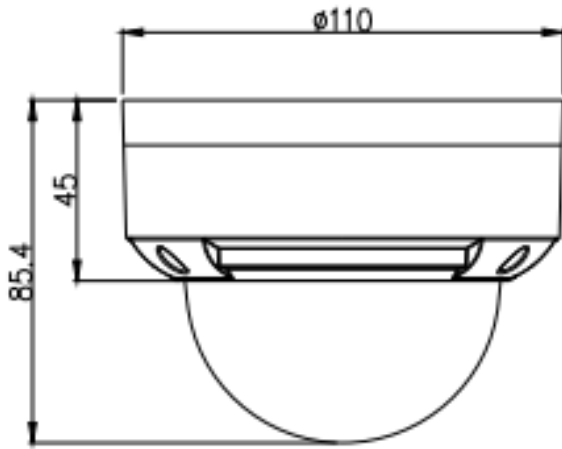
INTERFACES	
NETWORK INTERFACE	1 Ethernet (10/100 Base-T) RJ-45 Connector
NETWORK PROTOCOLS	IPv4/IPv6, 802.1x, HTTP, HTTPS, TCP/IP, UDP/IP, RTSP, DHCP, NTP, RTCP/RTP, PPPoE, SMTP, DNS, UPnP, FTP, ARP, SNMP, TLS/SSL
3RD-PARTY COMPATIBILITY	ONVIF, SDK, CGI
SUPPORTED BROWSER	<IE11, Chrome, Firefox, Microsoft Edge
CERTIFICATIONS	
CERTIFICATIONS	CE/FCC
GENERAL	
POWER REQUIREMENT	DC 12V, PoE (IEEE 802.3af)
POWER CONSUMPTION	Max 5.5 W
DIMENSIONS	φ110 × 85.4mm (φ4.33" × 3.36")
NET WEIGHT	0.42 kg (0.93 lb)
MATERIAL	Metal
WORKING ENVIRONMENT	-40°C ~ 55°C (-40°F ~ 131°F ), Humidity: <90% RH
WATER PROTECTION	IP67
VANDAL RESISTANCE	IK10

### COMPATIBLE NVRS

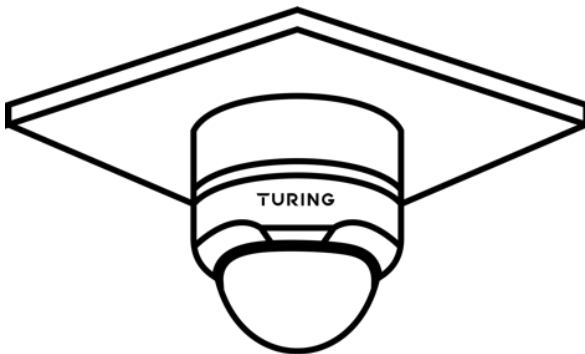
Turing Advantage NVR series, including TN-NRP042T, TN-NRP082T, TN-NRP084T and TN-NRP164T



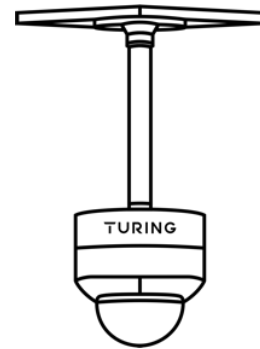
## DIMENSIONS (mm)



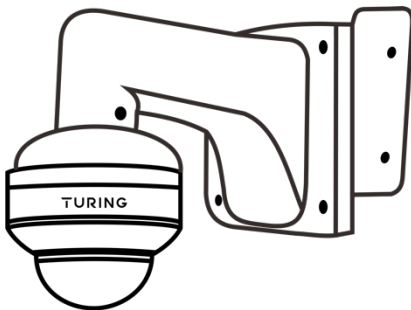
## MOUNTING



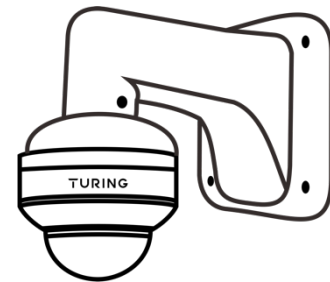
Junction Box: TI-FDJB



Pole Mount: TI-ADPM  
Junction Box: TI-FDJB



Wall Mount: TI-ADWM  
Pendant Cap: TI-FDPC  
Corner Mount: TI-ADCM



Wall Mount: TI-ADWM  
Pendant Cap: TI-FDPC

