

**WARRANTY
REGISTRATION:**

register online today for a
chance to win a FREE Tripp Lite
product—www.tripplite.com/warranty



Owner's Manual

VGA Over Cat5 Extenders and Extender/Splitters

Extender Kit Models: B130-101, B130-101A,
B130-101-WP-1, B130-101A-WP-1,
B130-101S, B130-111, B130-111A and B130-101-U

Local Unit Models: B132-002-1,
B132-002A, B132-004-1 and B132-004A

Remote Unit Models: B132-100-1, B132-100A,
B132-100-WP-1, B132-100A-WP-1,
B132-110 and B132-110A



1111 W. 35th Street, Chicago, IL 60609 USA • www.tripplite.com/support

Copyright © 2014 Tripp Lite. All rights reserved. SmartRack is a trademark of Tripp Lite.

Table of Contents

Package Contents	3
Product Features	4
All	4
B130-101	4
B130-101A	4
B130-101-WP-1	4
B130-101A-WP-1	5
B130-101S	5
B130-111	5
B130-111A	6
B130-101-U	6
B132-002-1	6
B132-002A	6
B132-004-1	7
B132-004A	7
B132-100-1	8
B132-100A	8
B132-100-WP-1	8
B132-100A-WP-1	8
B132-110	9
B132-110A	9
Optional Accessories	10
Mounting Hardware Instructions	11
Installation	12
Extender Kit Installation	12
Non-Kit Standard Installation	14
Non-Kit Daisychain Installation	16
Extender/Repeater Kit Installation	18
Non-Kit Remote/Repeater Installation	20
Non-Kit Daisychain Remote/Repeater Installation	24
Warranty	27

Package Contents

	B130-101	B130-101A	B130-101-WP-1	B130-101A-WP-1	B130-101S	B130-111	B130-111A	B130-101-U	B132-002-1	B132-002A	B132-004-1	B132-004A	B132-100-1	B132-100A	B132-100-WP-1	B132-100A-WP-1	B132-110	B132-110A
Local Unit (L), Remote Unit (R) or Both (B)	B	B	B	B	B	B	B	B	L	L	L	L	R	R	R	R	R	R
1 or 2 External Power Supplies (Input: 100-240V, 50/60Hz, 0.5A Output: 5V, 2A)	2	2	2	2	2	2	2	0	1	1	1	1	1	1	1	1	1	1
Mounting Hardware	X	X			X	X	X		X	X	X	X	X	X			X	X
Wallplate Screws			X	X											X	X		
Screwdriver	X	X	X	X	X	X	X						X	X	X	X	X	X
3.5mm Male to DB9 Male Adapter Cable					X													
3.5mm Male to DB9 Female Adapter Cable					X													
1 ft. VGA Splitter Cable			X															
1 ft. VGA + Audio Splitter Cable				X														
1 ft. VGA Daisychain Cable										X								
1 ft. VGA + Audio Daisychain Cable											X							

Product Features

All

- Support a maximum resolution of 1920 x 1440 @ 60Hz.
- All operating systems supported.
- Plug and play; no software or drivers required.
- HDCP compliant.

B130-101

- Extends a VGA Video signal (1024 x 768 @ 60Hz) up to 1,000 ft. from the source.
- Features an additional VGA port, allowing for the connection of a local monitor.
- Includes mounting hardware that allows units to be wall-mounted, rackmounted or pole mounted.
- Features built-in equalization and gain controls to adjust the video image.

B130-101A

- Extends both a VGA Video (1024 x 768 @ 60Hz) and an audio signal up to 1,000 ft. from the source.
- Features additional VGA and 3.5mm ports, allowing for the connection of a local monitor and speakers.
- Includes mounting hardware that allows units to be wall-mounted, rackmounted or pole mounted.
- Features built-in equalization and gain controls to adjust the video image.

B130-101-WP-1

- Extends a VGA Video signal (1024 x 768 @ 60Hz) up to 1,000 ft. from the source.
- Includes a VGA splitter cable, which allows for the connection of a local monitor.
- Includes RJ45 jacks, allowing for easy connection via standard patch cables; no 110 punchdown connections required.
- Features built-in equalization and gain controls to adjust the video image.

Product Features continued

B130-101A-WP-1

- Extends both a VGA Video (1024 x 768 @ 60Hz) and an audio signal up to 1,000 ft. from the source.
- Includes a VGA + Audio splitter cable, which allows for the connection of a local monitor and speakers.
- All wallplate units come with RJ45 jacks, allowing for easy connection via standard patch cables; no 110 punchdown connections required.
- Features built-in equalization and gain controls to adjust the video image.

B130-101S

- Extends both a VGA Video (1024 x 768 @ 60Hz) and RS232 Serial signal up to 1,000 ft. from the source.
- Includes mounting hardware that allows units to be wall-mounted, rackmounted or pole mounted.
- Features built-in equalization and gain controls to adjust the video image.

B130-111

- Kit comes with both local transmitter and remote/repeater units.
- Locate multiple monitors at different points in a chain of up to 2,000 ft. by connecting an additional remote receiver unit (B132-100-1 or B132-100-WP-1), or a remote/repeater unit (B132-110).
- Up to 4 remote units (3 remote/repeaters and 1 receiver) can be connected together, providing video to up to 4 remote displays in a full chain.
- Extend a 1024 x 768 (60Hz) signal up to 1,000 ft. between the local transmitter and the first remote/repeater unit in the installation.
- Extend a 1024 x 768 (60Hz) signal up to an additional 1,000 ft. from the first remote/repeater unit to the last display in the installation, for a maximum extension distance of 2,000 ft..
- Local unit includes an additional VGA port, allowing for the connection of a local monitor.
- Features built-in Equalization and Gain controls to adjust the video image.
- Includes mounting hardware that allows units to be wall-mounted, rackmounted or pole mounted.

Product Features continued

B130-111A

- Kit comes with both local transmitter and remote/repeater units.
- Locate multiple monitors/speakers at different points in a chain of up to 2,000 ft. by connecting an additional remote receiver unit (B132-100A or B132-100A-WP-1), or a remote/repeater unit (B132-110A).
- Up to 4 remote units (3 remote/repeaters and 1 receiver) can be connected together, providing audio/video to up to 4 remote displays/speakers in a full chain.
- Extend a 1024 x 768 (60Hz) video and audio signal up to 1,000 ft. between the local transmitter and the first remote/repeater unit in the installation.
- Extend a 1024 x 768 (60Hz) video and audio signal up to an additional 1,000 ft. from the first remote/repeater unit to the last set of display and speakers in the installation, for a maximum extension distance of 2,000 ft..
- Local unit includes additional VGA video and 3.5mm audio ports, allowing for the connection of a local monitor and speakers.
- Features built-in Equalization and Gain controls to adjust the video image.
- Includes mounting hardware that allows units to be wall-mounted, rackmounted or pole mounted.

B130-101-U

- Extends a VGA Video signal (1024 x 768 @ 60Hz) up to 500 ft. from the source.
- Power is supplied by the USB connection on the local transmitter unit; no external power supplies are required.
- Dangle-style local and remote units come with built-in VGA connectors; no external VGA cables are required.
- Features built-in equalization and gain controls to adjust the video image.

Product Features continued

B132-002-1

- Works with the B132-100-1 and B132-100-WP-1 remote units to extend a VGA Video signal (1024 x 768 @ 60Hz) up to 1,000 ft. from the source.
- Able to transmit a single VGA Video signal to 2 monitors.
- Includes mounting hardware that allows unit to be wall-mounted, rackmounted or pole mounted.

B132-002A

- Works with the B132-100A and B132-100A-WP-1 remote units to extend both a VGA Video (1024 x 768 @ 60Hz) and an audio signal up to 1,000 ft. from the source.
- Transmits a single VGA Video and audio signal to 2 sets of monitors and speakers.
- Includes mounting hardware that allows unit to be wall-mounted, rackmounted or pole mounted.

B132-004-1

- Features an additional VGA port, allowing for the connection of a local monitor.
- Works with the B132-100-1 and B132-100-WP-1 remote units to extend a VGA Video signal (1024 x 768 @ 60Hz) up to 1,000 ft. from the source.
- Able to transmit up to 5 (4 remote, 1 local) VGA Video signals.
- Expand the number of connected monitors to up to 25 (24 remote, 1 local) by daisy chaining up to 6 local units together.

Note: *B132-002-1 local units cannot be daisy chained.*

- Includes mounting hardware that allows unit to be wall-mounted, rackmounted or pole mounted.
- Up to three local units can be connected to a Tripp Lite B132-004-RB rackmount bracket and mounted in just 1U of rack space.

Product Features continued

B132-004A

- Works with the B132-100A and B132-100A-WP-1 remote units to extend both a VGA Video (1024 x 768 @ 60Hz) and an audio signal up to 1,000 ft. from the source.
- Features additional VGA and 3.5mm ports, allowing for the connection of a local monitor and speakers.
- Transmits a single VGA Video and audio signal to up to 5 sets (4 remote, 1 local) of monitors and speakers.
- Expand the number of connected monitors/speakers to up to 25 (24 remote, 1 local) by daisy chaining up to 6 local units together.
Note: B132-002A local units cannot be daisy chained.
- Includes mounting hardware that allows unit to be wall-mounted, rackmounted or pole mounted.
- Up to three local units can be connected to a Tripp Lite B132-004-RB rackmount bracket and mounted in just 1U of rack space.

B132-100-1

- Includes mounting hardware that allows unit to be wall-mounted, rackmounted or pole mounted.
- Features built-in equalization and gain controls to adjust the video image.

B132-100A

- Includes mounting hardware that allows unit to be wall-mounted, rackmounted or pole mounted.
- Features built-in equalization and gain controls to adjust the video image.

B132-100-WP-1

- Includes RJ45 jacks, allowing for easy connection via standard patch cables; no 110 punchdown connections required.
- Features built-in equalization and gain controls to adjust the video image.

B132-100A-WP-1

- Includes RJ45 jacks, allowing for easy connection via standard patch cables; no 110 punchdown connections required.
- Features built-in equalization and gain controls to adjust the video image.

Product Features continued

B132-110

- Both extends and expands your Tripp Lite VGA over Cat5 installation, allowing you to locate multiple monitors at different points in a chain of up to 2,000 ft..
- Up to 4 remote units (3 remote/repeaters and 1 receiver) can be connected together, providing video to up to 4 remote displays in a full chain.
- Extend a 1024 x 768 (60Hz) signal up to 1,000 ft. between the local transmitter and the first remote/repeater unit in the installation.
- Extend a 1024 x 768 (60Hz) signal up to an additional 1,000 ft. from the first remote/repeater unit to the last display in the installation, for a maximum extension distance of 2,000 ft..
- Features built-in Equalization and Gain controls to adjust the video image.
- Includes mounting hardware that allows unit to be wall-mounted, rackmounted or pole mounted.

B132-110A

- Both extends and expands your Tripp Lite VGA + Audio over Cat5 installation, allowing you to locate multiple monitors/speakers at different points in a chain of up to 2,000 ft..
- Up to 4 remote units (3 remote/repeaters and 1 receiver) can be connected together, providing audio/video to up to 4 remote displays/speakers in a full chain.
- Extend a 1024 x 768 (60Hz) video and audio signal up to 1,000 ft. between the local transmitter and the first remote/repeater unit in the installation.
- Extend a 1024 x 768 (60Hz) video and audio signal up to an additional 1,000 ft. from the first remote/repeater unit to the last set of display and speakers in the installation, for a maximum extension distance of 2,000 ft..
- Features built-in Equalization and Gain controls to adjust the video image.
- Includes mounting hardware that allows unit to be wall-mounted, rackmounted or pole mounted.

Optional Accessories

- B132-004-RB 1U Rackmount Bracket
- N001-Series Cat5e Snagless Patch Cables
- N002-Series Cat5e Patch Cables
- N020-01K-GY Gray Cat5e Bulk Stranded Cable – 1,000 ft.
- N022-01K-GY Gray Cat5e Bulk 24Awg Solid Cable – 1,000 ft.
- N030-010 10 pk of RJ45 Plugs for Solid Wire Cat5e Cable
- N031-050 50 pk of RJ45 Plugs for Stranded Wire Cat5e Cable
- N201-Series Cat6 Snagless Patch Cables
- N202-Series Cat6 Snagless 24Awg Solid Patch Cables
- N222-01K-GY Gray Cat6 Bulk 24Awg Solid Cable – 1,000 ft.
- P312-Series Audio Cables
- P502-Series VGA Monitor Cables with RGB Coax
- P504-Series VGA Monitor + Audio Cables with RGB Coax
- P520-006 RS232 Serial Extension Cable – 6 ft.
- P524-01K Zero-Skew UTP Bulk Cable – 1,000 ft.

Mounting Hardware Instructions

All of the non-wallplate VGA extender products come with mounting hardware that allows them to be mounted in a variety of ways. The following images show the different ways the included mounting brackets can be attached for different mounting methods.

Note: The B132-004-1 and B132-004A can also be mounted to a Tripp Lite B132-004-RB 1U rackmount bracket. Up to 3 B132-004-1 or B132-004A local units can be connected to a B132-004-RB.

Wallmount



19" Rackmount

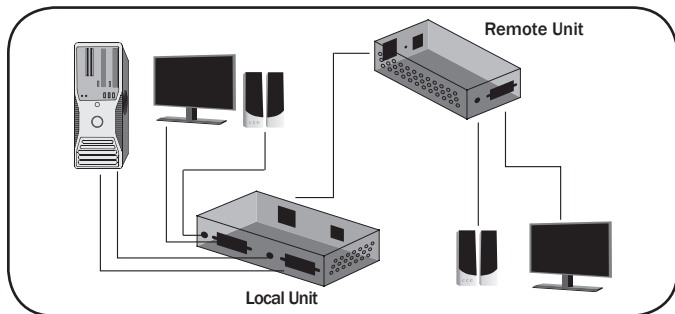


Pole Mount



Installation

Extender Kit Installation (B130-101, B130-101A, B130-101-WP-1, B130-101A-WP-1, B130-101S, B130-101-U)



Note:

1. The diagram above shows a B130-101A VGA + Audio Extender Kit installation. Installation will be the same for other extender kit models, with the exception of units featuring VGA + Audio, VGA + RS232 serial or VGA only. The B130-101-U gets power from the USB cable built-in to the local unit, and doesn't require external supplies.
2. Test to make sure the entire installation works properly before pulling cables through ceilings/walls.
3. To achieve maximum distance and performance, 24Awg solid wire Cat5e/6 cable must be used. The use of stranded wire Cat5e/6 cable, or cable with a gauge (Awg) size higher than 24Awg, will result in shorter extension distance. All Tripp Lite N202-Series cables are made with 24Awg solid wire cabling. Tripp Lite N022-01K-GY (Cat5e) and N222-01K-GY (Cat6) are 24Awg solid wire bulk cables. For optimal image quality between 500 and 1,000 ft., use Zero-Skew cable, such as Tripp Lite P524-01K. For the B130-101-U, use Zero-Skew cable for distances between 250 and 500 ft.
4. To achieve maximum resolution, it is recommended that you use Tripp Lite P502-Series VGA Video or P504-Series VGA Video and Audio cables with RGB coax.

*If this is a feature of your extender kit.

Installation continued

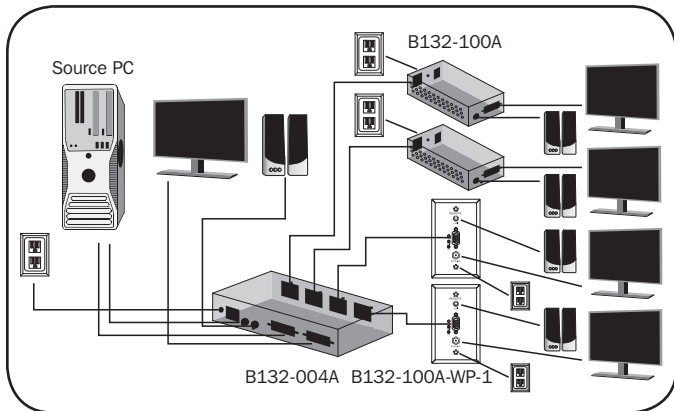
- 1** Make sure that the VGA, Audio* and RS232 Serial* source is powered off.
- 2 (B130-101, B130-101A and B130-101S only)** – Connect the VGA and Audio* source to the *INPUT* port(s) on the local unit using a VGA and Audio* cable.
- 3 (B130-101S only)** – Connect the included 3.5mm Male to DB9 Female adapter cable to the 3.5mm *INPUT* port on the local unit, and then connect the computer to the adapter using a DB9 cable.
- 4 (B130-101-U only)** – Connect the built-in VGA and USB connectors on the local unit to the source computer.
- 5 (B130-101-WP-1 and B130-101A-WP-1 only)** – If you wish to connect a local monitor and speakers*, connect the male end of the included splitter cable to the source port(s), and then connect one of the female ends of the splitter cable to the *INPUT* port(s) on the local unit using a VGA and Audio* cable. If you are not connecting a local monitor and speakers*, connect the source directly to the *INPUT* port(s) on the local unit.
- 6 (Optional)** – Connect a local monitor and speakers* to the *LOCAL* port(s) on the local unit, or the remaining female connector(s) on your splitter cable*, using a VGA and Audio* cable.
Note: The B130-101S comes with a local video port only, and does not contain a local RS-232 Serial port.
- 7** Connect the external power supply to the local unit, and then plug it into a Tripp Lite Surge Suppressor, Power Distribution Unit (PDU) or Uninterruptible Power Supply (UPS). The B130-101-U gets power from the USB cable built-in to the local unit, and doesn't require external power supplies.
- 8** Using Cat5e/6 cable, connect the RJ45 *OUTPUT* port on the local unit to the RJ45 *INPUT* port on the remote unit.
- 9 (B130-101-U only)** – Connect the built-in VGA connector on the remote unit to the VGA port on a monitor.

*If this is a feature of your extender kit.

Installation continued

- 10** Connect a monitor and speakers* to the *OUTPUT* ports on the remote unit using a VGA and Audio* cable.
- 11** (**B130-101S only**) – Connect the included 3.5mm Male to DB9 Male adapter cable to the 3.5mm *OUTPUT* port on the remote unit, and then connect the serial device to the adapter using a DB9 cable.
- 12** Connect the external power supply to the remote unit, and then plug it into a Tripp Lite Surge Suppressor, Power Distribution Unit (PDU) or Uninterruptible Power Supply (UPS). The B130-101-U gets power from the USB cable built-in to the local unit, and doesn't require external power supplies.
- 13** Turn on the power to the monitor, speakers* and RS232 serial device.*
- 14** Turn on the power to the monitor, audio* and RS232 serial* source.
- 15** If necessary, adjust the *Equalization* and *Gain* controls using the included screwdriver to improve the video image.

Non-Kit Standard Installation



Note:

1. The diagram above shows a B132-004A VGA + Audio Extender/Splitter Kit installation. Installation will be the same for non-Audio models, except that an Audio source and speakers will not be connected.
2. Test to make sure the entire installation works properly before pulling cables through ceilings/walls.
3. To achieve maximum distance and performance, 24Awg solid wire Cat5e/6 cable must be used. The use of stranded wire Cat5e/6 cable, or cable with a gauge (Awg) size higher than 24Awg, will result in shorter extension distance. All Tripp Lite N202-Series cables are made with 24Awg solid wire cabling. Tripp Lite N202-01K-GY (Cat5e) and N222-01K-GY (Cat6) are 24Awg solid wire bulk cables. For optimal image quality between 500 and 1,000 ft., use Zero-Skew cable, such as Tripp Lite P524-01K.
4. To achieve maximum resolution, it is recommended that you use Tripp Lite P502-Series VGA Video or P504-Series VGA Video and Audio cables with RGB coax.

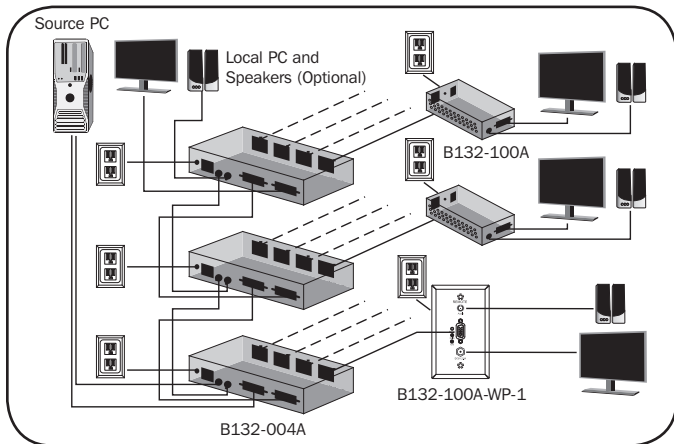
Installation continued

- 1** Make sure that the VGA and Audio* source is powered off.
- 2** Connect the VGA and Audio* source to the *INPUT* port(s) on the local unit (B132-002-1, B132-002A, B132-004-1 or B132-004A) using a VGA and Audio* cable.
- 3 (Optional – B132-004-1 and B132-004A only)** – Connect a local monitor and speakers* to the *LOCAL* port(s) on the B132-004-1 or B132-004A local unit.
- 4** Connect the external power supply to the local unit, and then plug it into a Tripp Lite Surge Suppressor, Power Distribution Unit (PDU) or Uninterruptible Power Supply (UPS).
- 5** Using Cat5e/6 cable, connect an available RJ45 *OUTPUT* port on the local unit to the RJ45 *INPUT* port on a remote unit (B132-100-1, B132-100A, B132-100-WP-1 or B132-100A-WP-1).
- 6** Repeat step 5 for each remote unit you are connecting to the installation.
- 7** Connect a monitor and speakers* to the *OUTPUT* port(s) on the remote unit using a VGA and Audio* cable.
- 8** Repeat step 7 for each remote unit in the installation.
- 9** Connect the external power supply to the remote unit, and then plug it into a Tripp Lite Surge Suppressor, Power Distribution Unit (PDU) or Uninterruptible Power Supply (UPS).
- 10** Repeat step 9 for each remote unit in the installation.
- 11** Turn on the power to the monitor and speakers.*
- 12** Turn on the power to the monitor and audio* source.
- 13** If necessary, adjust the *Equalization* and *Gain* controls using the included screwdriver to improve the video image.

*If this is a feature of your extender kit.

Installation continued

Non-Kit Daisychain Installation (B132-004-1 and B132-004A only)



Note:

1. The diagram above shows a B132-004A VGA + Audio Extender/Splitter Kit daisychain installation. Installation will be the same for non-Audio models, except that an Audio source and speakers will not be connected.
2. Test to make sure the entire installation works properly before pulling cables through ceilings/walls.
3. To achieve maximum distance and performance, 24Awg solid wire Cat5e/6 cable must be used. The use of stranded wire Cat5e/6 cable, or cable with a gauge (Awg) size higher than 24Awg, will result in shorter extension distance. All Tripp Lite N202-Series cables are made with 24Awg solid wire cabling. Tripp Lite N022-01K-GY (Cat5e) and N222-01K-GY (Cat6) are 24Awg solid wire bulk cables. For optimal image quality between 500 and 1,000 ft., use Zero-Skew cable, such as Tripp Lite P524-01K.
4. To achieve maximum resolution, it is recommended that you use Tripp Lite P502-Series VGA Video or P504-Series VGA Video and Audio cables with RGB coax.

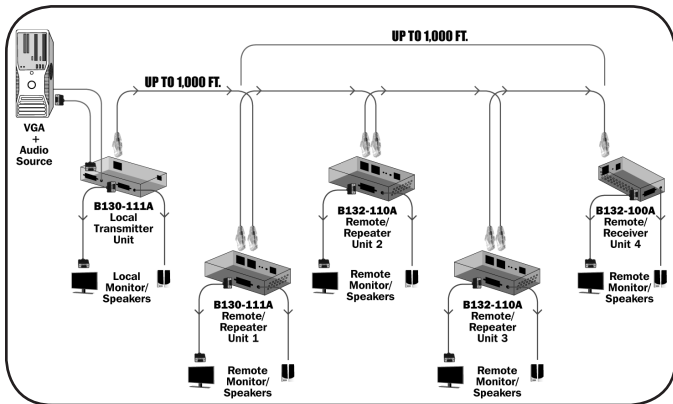
Installation continued

- 1** Make sure that the VGA and Audio* source is powered off.
- 2** Connect the VGA and Audio* source to the *INPUT* port(s) on the local unit (B132-004-1 or B132-004A) using a VGA and Audio* cable.
- 3** Using the included daisychain cable, connect the *LOCAL* port(s) on the B132-004-1 or B132-004A to the *INPUT* ports on a second level B132-004-1 or B132-004A.
Note: A standard VGA cable can be used to increase the distance between units with no more than 6 ft. between.
- 4** Repeat step 3 for each additional local unit you are adding to the daisychain, with no more than 6 local units in the entire installation.
- 5 (Optional)** – Connect a local monitor and speakers* to the *LOCAL* port(s) of the last B132-004-1 or B132-004A in the daisychain using a VGA and audio cable.
- 6** Connect the external power supply to the first local unit in the installation, and then plug it into a Tripp Lite Surge Suppressor, Power Distribution Unit (PDU) or Uninterruptible Power Supply (UPS).
- 7** Repeat step 6 for each additional local unit in the installation.
- 8** Using Cat5e/6 cable, connect an available RJ45 *OUTPUT* port on the local unit to the RJ45 *INPUT* port on a remote unit (B132-100-1, B132-100A, B132-100-WP-1 or B132-100A-WP-1).
- 9** Repeat step 8 for each remote unit you are connecting to the installation.
- 10** Connect a monitor and speakers* to the *OUTPUT* ports on the remote unit using a VGA and Audio* cable.
- 11** Repeat step 10 for each remote unit in the installation.
- 12** Connect the external power supply to the remote unit, and then plug it into a Tripp Lite Surge Suppressor, Power Distribution Unit (PDU) or Uninterruptible Power Supply (UPS).
- 13** Repeat step 12 for each remote unit in the installation.
- 14** Turn on the power to the monitor and speakers.*
- 15** Turn on the power to the monitor and audio* source.
- 16** If necessary, adjust the *Equalization* and *Gain* controls using the included screwdriver to improve the video image.

*If this is a feature of your extender kit.

Extender/Repeater Kit Installation

(B130-101, B130-101A, B130-111 and B130-111A)



Note:

1. An extender/repeater kit installation can start with a B130-101, B130-101A, B130-111 or B130-111A. The only difference between these kits is the type of remote unit that comes with them. The B130-101 and B130-101A come with remote receiver units, and the B130-111 and B130-111A come with remote/repeater units.
2. The diagram above shows a B130-111A installation, with the maximum number of remote units connected. Installation will be the same for the B130-111, except there will be no audio connections. Installation will be the same for the B130-101 and B130-101A, except that instead of adding remote units to the end of the installation, remote/repeater units will be inserted in between the local and remote units that come with the kits.
3. A 1024 x 768 (60Hz) signal can be extended up to 1,000 ft. from the source to the first remote/repeater unit in the installation. A 1024 x 768 (60Hz) signal can be extended up to an additional 1,000 ft. between the first remote/repeater unit and the last display in the installation. Up to 4 remote units (3 remote/repeaters and 1 remote receiver) can be connected together to transmit a signal to up 4 points in a 2,000 ft. chain.

Installation continued

4. To achieve maximum distance and performance, 24Awg solid wire Cat5e/6 cable must be used. The use of stranded wire Cat5e/6 cable, or cable with a gauge (AWG) size higher than 24Awg, will result in shorter extension distance. All Tripp Lite N202-Series cables are made with 24Awg solid wire cabling. Tripp Lite N022-01K-GY (Cat5e) and N222-01K-GY (Cat6) are 24Awg solid wire bulk cables. For optimal image quality between 500 and 1,000 ft., use Zero-Skew cable, such as Tripp Lite P524-01K.
5. To achieve maximum distance and performance, it is recommended that you use Tripp Lite P502-Series VGA Video or P504-Series VGA + Audio cables with RGB coax.
6. Test to make sure the entire installation works properly before pulling cables through ceilings/walls.

- 1** Make sure that the VGA Video and Audio* source is powered off.
- 2** Connect the VGA Video and Audio* source to the *INPUT* port(s) on the local unit using a VGA and Audio* cable.
- 3 (Optional)** – Connect a local monitor and speakers* to the *LOCAL* port(s) on the local unit using a VGA Video and Audio* cable.
- 4** Connect the external power supply to the local unit, and then plug it into a Tripp Lite Surge Suppressor, Power Distribution Unit (PDU) or Uninterruptible Power Supply (UPS). The Red power LED and the Green RJ45 LED will illuminate to indicate the unit is receiving power.
- 5** Using Cat5e/6 cable, connect the RJ45 *OUTPUT* port on the local unit to the RJ45 *INPUT* port on the remote/repeater unit.
Note: If starting with a B130-101 or B130-101A, a remote/repeater unit (B132-110 or B132-110A) must be added in between the local and remote units that come with the kit.
- 6** Connect a monitor and speakers* to the *OUTPUT* port(s) on the remote/repeater unit using a VGA Video and Audio* cable.
- 7** Connect the external power supply to the remote/repeater unit, and then plug it into a Tripp Lite Surge Suppressor, Power Distribution Unit (PDU) or Uninterruptible Power Supply (UPS). The Red power LED and the Green RJ45 LEDs illuminate to indicate the unit is receiving power.

*If this is a feature of your extender kit.

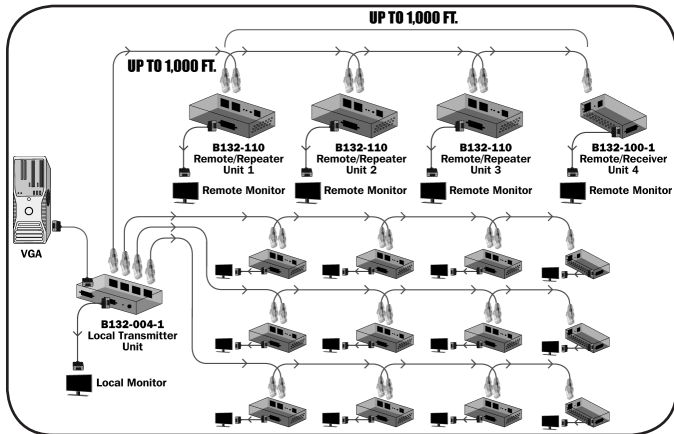
Installation continued

If you are not connecting any additional remote/repeater units, proceed to step 12.

- 8** Using Cat5e/6 cable, connect the RJ45 *OUTPUT* port on the first remote/repeater unit to the RJ45 *INPUT* port on a second remote/repeater unit.
Note: *If starting with a B130-101 or B130-101A, a remote/repeater unit (B132-110 or B132-110A) must be added in between the local and remote units that come with the kit.*
- 9** On the remote/repeater unit you just added, connect a monitor and speakers* to the *OUTPUT* port(s) using a VGA Video and Audio* cable.
- 10** Connect the external power supply to the remote/repeater unit, and then plug it into a Tripp Lite Surge Suppressor, Power Distribution Unit (PDU) or Uninterruptible Power Supply (UPS). The Red power LED and the Green RJ45 LEDs illuminate to indicate the unit is receiving power.
- 11** Repeat steps 8 through 10 for each additional unit you are connecting, with no more than 4 in a chain. The last remote unit in an extender/repeater installation should be a standard B132-100-1, B132-100-WP-1, B132-100A or B132-100A-WP-1 receiver. When starting with a B130-101 or B130-101A kit, the included remote receiver can be the last unit in the chain.
- 12** Turn on the power to the connected monitors and speakers.*
- 13** Turn on the power to the VGA Video and Audio* source. The Orange RJ45 LEDs will illuminate to indicate that the units are receiving a signal from the source.
- 14** If necessary, use the included screwdriver to adjust the Equalization and Gain settings on the remote/repeater units to improve the video image.

*If this is a feature of your extender kit.

Non-Kit Remote/Repeater Installation

**Note:**

1. The diagram above shows a B132-004-1 installation with the maximum number of remote units connected. A B132-004A installation will be the same, except there will be audio connections. B132-002-1 and B132-002A local units come with 2 ports instead of 4, and do not feature additional ports for a local monitor and speakers.*
2. A 1024 x 768 (60Hz) signal can be extended up to 1,000 ft. between the local transmitter and the first remote/repeater unit in the installation. Up to an additional 1,000 ft. can be placed in between the first remote/repeater unit and the last display in the installation, for a maximum extension distance of 2,000 ft. Up to 4 remote units (3 remote/repeaters and 1 receiver) can be connected together to transmit a signal to up to 4 points in a 2,000 ft. chain.
3. Test to make sure the entire installation works properly before pulling cables through ceilings/walls.

*If this is a feature of your extender kit.

Installation continued

4. To achieve maximum distance and performance, 24Awg solid wire Cat5e/6 cable must be used. The use of stranded wire Cat5e/6 cable, or cable with a gauge (AWG) size higher than 24Awg, will result in shorter extension distance. All Tripp Lite N202-Series cables are made with 24Awg solid wire cabling. Tripp Lite N022-01K-GY (Cat5e) and N222-01K-GY (Cat6) are 24Awg solid wire bulk cables. For optimal image quality between 500 and 1,000 ft., use Zero-Skew cable, such as Tripp Lite P524-01K.
5. To achieve maximum distance and performance, it is recommended that you use Tripp Lite P502-Series VGA Video or P504-Series VGA + Audio cables with RGB coax.

- 1 Make sure that the VGA Video and Audio* source is powered off.
- 2 Connect the VGA Video and Audio* source to the *INPUT* port(s) on the local unit.
- 3 **(Optional – B132-004-1 and B132-004A only)** – Connect a local monitor and speakers* to the *LOCAL* port(s) on the local unit using a VGA Video and Audio* cable.
- 4 Connect the external power supply to the local unit, and then plug it into a Tripp Lite Surge Suppressor, Power Distribution Unit (PDU) or Uninterruptible Power Supply (UPS). The Red power LED and the Green RJ45 LEDs will illuminate to indicate the unit is receiving power.
- 5 Using Cat5e/6 cable, connect an available RJ45 *OUTPUT* port on the local unit to the RJ45 *INPUT* port on the remote/repeater unit. (B132-110 or B132-110A)
- 6 Connect a monitor and speakers* to the *OUTPUT* port(s) on the remote/repeater unit using a VGA Video and Audio* cable.
- 7 Connect the external power supply to the remote/repeater unit, and then plug it into a Tripp Lite Surge Suppressor, Power Distribution Unit (PDU) or Uninterruptible Power Supply (UPS). The Red power LED and the Green RJ45 LEDs illuminate to indicate the unit is receiving power.

If you are not connecting any additional remote/repeater units, proceed to step 12.

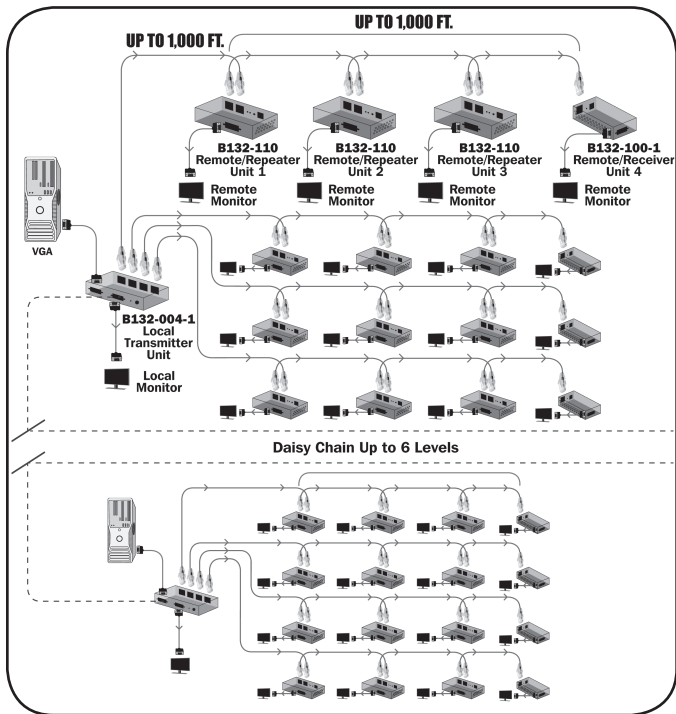
*If this is a feature of your extender kit.

Installation continued

- 8** Using Cat5e/6 cable, connect the RJ45 *OUTPUT* port on the first remote/repeater unit to the RJ45 *INPUT* port on a second remote/repeater unit.
- 9** On the remote/repeater unit you just added, connect a monitor and speakers* to the *OUTPUT* port(s) using a VGA Video and Audio* cable.
- 10** Connect the external power supply to the remote/repeater unit, and then plug it into a Tripp Lite Surge Suppressor, Power Distribution Unit (PDU) or Uninterruptible Power Supply (UPS). The Red power LED and the Green RJ45 LEDs illuminate to indicate the unit is receiving power.
- 11** Repeat steps 8 through 10 for each additional unit you are connecting, with no more than 4 in a chain. The last remote unit in the installation should be a standard B132-100-1, B132-100-WP-1, B132-100A or B132-100A-WP-1 receiver.
- 12** Repeat steps 5 through 10 for each additional local unit port that you are adding remote/repeater units to, with no more than 4 levels per port.
- 13** Turn on the power to the connected monitors and speakers.*
- 14** Turn on the power to the VGA Video and Audio* source. The Orange RJ45 LEDs will illuminate to indicate that the units are receiving a signal from the source.
- 15** If necessary, use the included screwdriver to adjust the Equalization and Gain settings on the remote/repeater units to improve the video image.

*If this is a feature of your extender kit.

Non-Kit Daisychain Remote/Repeater Installation (B132-004A and B132-004-1 only)



Note:

1. The diagram above shows a B132-004A installation with the maximum number of remote units connected. A B132-004 installation will be the same, except there will be no audio connections. B132-002-1 and B132-002A local units cannot be daisychained.

Installation continued

2. A 1024 x 768 (60Hz) signal can be extended up to 1,000 ft. between the local transmitter and the first remote/repeater unit in the installation. Up to an additional 1,000 ft. can be placed in between the first remote/repeater unit and the last display in the installation, for a maximum extension distance of 2,000 ft. Up to 4 remote units (3 remote/repeaters and 1 receiver) can be connected together to transmit a signal to up to 4 points in a 2,000 ft. chain.
3. Test to make sure the entire installation works properly before pulling cables through ceilings/walls.
4. To achieve maximum distance and performance, 24Awg solid wire Cat5e/6 cable must be used. The use of stranded wire Cat5e/6 cable, or cable with a gauge (AWG) size higher than 24Awg, will result in shorter extension distance. All Tripp Lite N202-Series cables are made with 24Awg solid wire cabling. Tripp Lite N022-01K-GY (Cat5e) and N222-01K-GY (Cat6) are 24Awg solid wire bulk cables. For optimal image quality between 500 and 1,000 ft., use Zero-Skew cable, such as Tripp Lite P524-01K.
5. To achieve maximum distance and performance, it is recommended that you use Tripp Lite P502-Series VGA Video or P504-Series VGA + Audio cables with RGB coax.

- 1 Make sure that the VGA Video and Audio* source is powered off.
- 2 Connect the VGA Video and Audio* source to the *INPUT* port(s) on the local unit using a VGA Video and Audio* cable.
- 3 Using the included daisychain cable, connect the *LOCAL* port(s) on the local unit to the *INPUT* ports on a second level local unit.
Note: A standard VGA cable can be used to increase the distance between units with no more than 6 ft. between.
- 4 Repeat step 3 for each additional local unit you are adding to the daisychain, with no more than 6 local units in the entire installation.
- 5 **(Optional)** – Connect a local monitor and speakers* to the *LOCAL* port(s) of the last local unit in the daisychain using a VGA Video and Audio* cable.
- 6 Connect the external power supply to the first local unit in the installation, and then plug it into a Tripp Lite Surge Suppressor, Power Distribution Unit (PDU) or Uninterruptible Power Supply (UPS). The Red power LED and the Green RJ45 LEDs will illuminate to indicate the unit is receiving power.

*If this is a feature of your extender kit.

Installation continued

- 7** Repeat step 6 for each additional local unit in the installation.
- 8** Using Cat5e/6 cable, connect an available RJ45 *OUTPUT* port on the local unit to the RJ45 *INPUT* port on the remote/repeater unit. (B132-110 or B132-110A)
- 9** Connect a monitor and speakers* to the *OUTPUT* port(s) on the remote/repeater unit using a VGA Video and Audio* cable.
- 10** Connect the external power supply to the remote/repeater unit, and then plug it into a Tripp Lite Surge Suppressor, Power Distribution Unit (PDU) or Uninterruptible Power Supply (UPS). The Red power LED and the Green RJ45 LEDs illuminate to indicate the unit is receiving power.

If you are not connecting any additional remote/repeater units, proceed to step 15.

- 11** Using Cat5e/6 cable, connect the RJ45 *OUTPUT* port on the first remote/repeater unit to the RJ45 *INPUT* port on a second remote/repeater unit.
- 12** On the remote/repeater unit you just added, connect a monitor and speakers* to the *OUTPUT* port(s) using a VGA Video and Audio* cable.
- 13** Connect the external power supply to the remote/repeater unit, and then plug it into a Tripp Lite Surge Suppressor, Power Distribution Unit (PDU) or Uninterruptible Power Supply (UPS). The Red power LED and the Green RJ45 LEDs illuminate to indicate the unit is receiving power.
- 14** Repeat steps 11 through 13 for each additional unit you are connecting, with no more than 4 in a chain. The last remote unit in the installation should be a standard B132-100-1, B132-100-WP-1, B132-100A or B132-100A-WP-1 receiver.
- 15** Repeat steps 8 through 14 for each additional local unit port that you are adding remote/repeater units to, with no more than 4 levels per port.
- 16** Turn on the power to the connected monitors and speakers.*
- 17** Turn on the power to the VGA Video and Audio* source. The Orange RJ45 LEDs will illuminate to indicate that the units are receiving a signal from the source.
- 18** If necessary, use the included screwdriver to adjust the Equalization and Gain settings on the remote/repeater units to improve the video image.

*If this is a feature of your extender kit.

Warranty

1-Year Limited Warranty

TRIPP LITE warrants its products to be free from defects in materials and workmanship for a period of one (1) year from the date of initial purchase. TRIPP LITE's obligation under this warranty is limited to repairing or replacing (at its sole option) any such defective products. To obtain service under this warranty, you must obtain a Returned Material Authorization (RMA) number from TRIPP LITE or an authorized TRIPP LITE service center. Products must be returned to TRIPP LITE or an authorized TRIPP LITE service center with transportation charges prepaid and must be accompanied by a brief description of the problem encountered and proof of date and place of purchase. This warranty does not apply to equipment which has been damaged by accident, negligence or misapplication or has been altered or modified in any way.

EXCEPT AS PROVIDED HEREIN, TRIPP LITE MAKES NO WARRANTIES, EXPRESS OR IMPLIED, INCLUDING WARRANTIES OF MERCHANTABILITY AND FITNESS FOR A PARTICULAR PURPOSE. Some states do not permit limitation or exclusion of implied warranties; therefore, the aforesaid limitation(s) or exclusion(s) may not apply to the purchaser.

EXCEPT AS PROVIDED ABOVE, IN NO EVENT WILL TRIPP LITE BE LIABLE FOR DIRECT, INDIRECT, SPECIAL, INCIDENTAL OR CONSEQUENTIAL DAMAGES ARISING OUT OF THE USE OF THIS PRODUCT, EVEN IF ADVISED OF THE POSSIBILITY OF SUCH DAMAGE.

Specifically, TRIPP LITE is not liable for any costs, such as lost profits or revenue, loss of equipment, loss of use of equipment, loss of software, loss of data, costs of substitutes, claims by third parties, or otherwise.

WARNING

Use of this equipment in life support applications where failure of this equipment can reasonably be expected to cause the failure of the life support equipment or to significantly affect its safety or effectiveness is not recommended. Do not use this equipment in the presence of a flammable anesthetic mixture with air, oxygen or nitrous oxide.

WEEE Compliance Information for Tripp Lite Customers and Recyclers (European Union)

Under the Waste Electrical and Electronic Equipment (WEEE) Directive and implementing regulations, when customers buy new electrical and electronic equipment from Tripp Lite they are entitled to:

- Send old equipment for recycling on a one-for-one, like-for-like basis (this varies depending on the country)
- Send the new equipment back for recycling when this ultimately becomes waste

Warranty Registration

Visit www.triplite.com/warranty today to register the warranty for your new Tripp Lite product. You'll be automatically entered into a drawing for a chance to win a FREE Tripp Lite product!*

* No purchase necessary. Void where prohibited. Some restrictions apply. See website for details.

Tripp Lite follows a policy of continuous improvement. Product specifications are subject to change without notice.



1111 W. 35th Street, Chicago, IL 60609 USA • www.triplite.com/support

14-01-055 93-3004 rev_E