

INTRODUCTION

The AW-GET-083A-120 is a 4 port 10/100/1000BaseT PoE switch capable of feeding 15.4/30W (54V max. per port) power to Power over Ethernet (PoE) devices. It comes with another 2x GbE Ethernet and 2x GbE SFP port. The switch is capable of a total of 120 Watts PoE power budget.

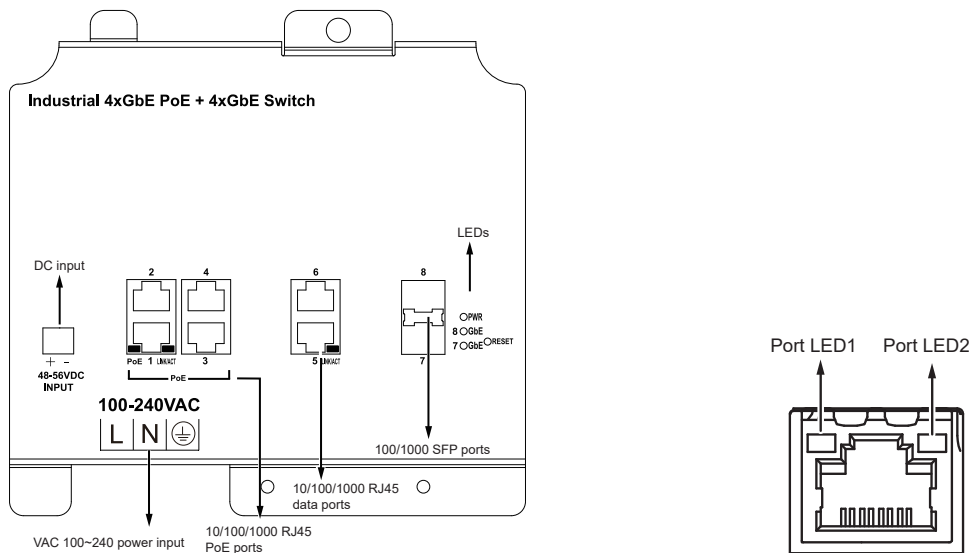
PACKAGE CONTENTS

* 1x PoE switch	* 1x Quick Installation Guide
* 1x T30 L-wrench, 4x wall anchors	

⚠ IMPORTANT:

1. Install the PoE switch in a ventilated and dry place that is free of electromagnetic source, vibration, moisture, and dust.
2. Make sure the ventilation openings on the switch are not blocked.
3. Use CAT5 or 5e UTP/STP cables.
4. AC input (100~240V/AC, 50~60Hz), for a max. consumption of 150W.

CONNECTION



LED DEFINITIONS

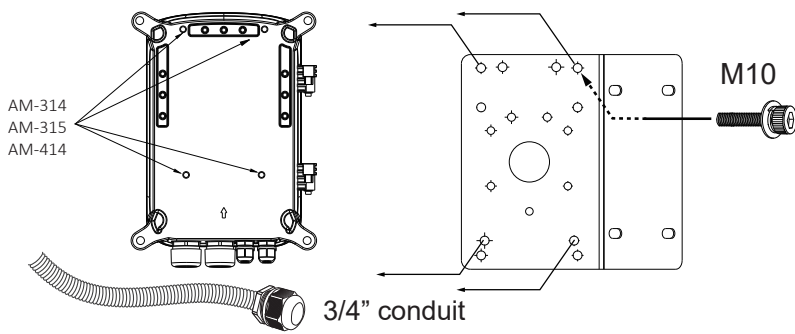
Power1	Green ON	Power is on and normal.
	Green Off	The switch is not receiving power.
Power2	Green ON	Power is on and normal.
	Green Off	The switch is not receiving power.
RJ45 ports LED1	Green ON	Port is enabled and link established with a device at the 1000Mbps speed.
	Green Blinking	Port is transmitting and receiving data at the 1000Mbps speed.
	Amber ON	Port is enabled and link established with a device at the 10/100Mbps speed.
	Amber Blinking	Port is transmitting and receiving data at the 100Mbps speed.
	Off	No active network connection. The port may have been disabled through user interface.
RJ45 ports LED2	Green ON	The port is enabled and supplying power to connected device.
	Amber ON	An abnormal state, such as overload status has occurred.
	Off	The port has no active network cable connected, or it is not connected a PoE PD device. Otherwise, the port may have been disabled through the switch user interface.
SFP ports	Green ON	Port is enabled and link established with a device at the 1000Mbps speed.
	Green Blinking	Port is transmitting and receiving data at the 1000Mbps speed.
	Off	No active network connection. The port may have been disabled through user interface.

RESET

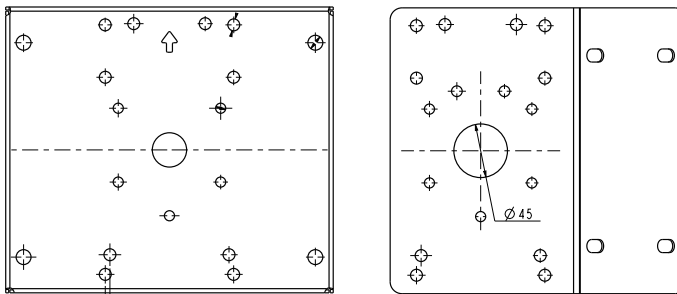
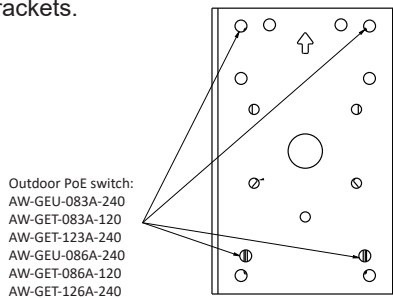
Reset the switch	Hold Reset Button 2 seconds	All LEDs On/Off
------------------	-----------------------------	-----------------

INSTALLATION

Use the included M10 hex socket screws to secure the power box to a pole-mount or corner mount bracket.

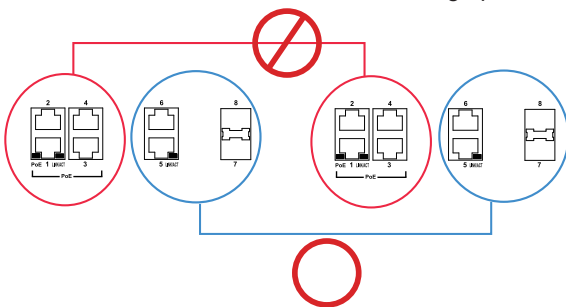


The mounting hole definition is illustrated below. The same mounting hole pattern apply to all pole-mount and corner-mount brackets.

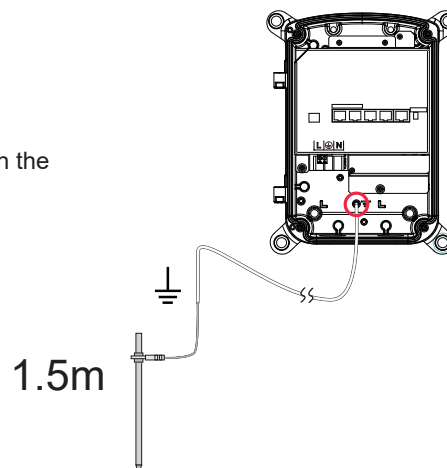


⚠ IMPORTANT:

1. If the need should arise for connecting two outdoor switches, use the uplink ports #5 ~ #8. If you use PoE ports for cross-switch connections, the 12KV surge protection will not apply.



2. The cabinet must be grounded using a ground wire between the ground screw and earth ground.



All specifications are subject to change without notice.
Copyright © 2017 VIVOTEK INC. All rights reserved.