



# INSTALLATION INSTRUCTIONS

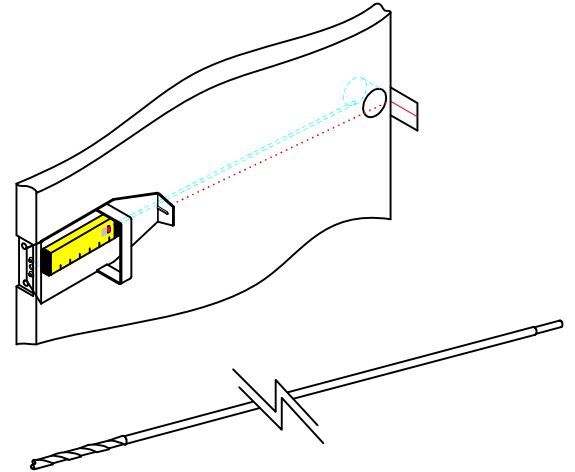
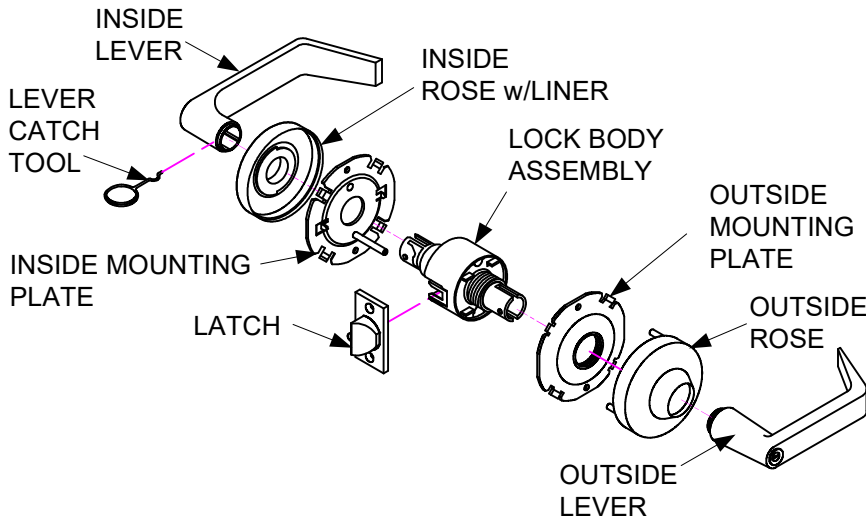
## Z7200 CYLINDRICAL LOCK

FOR USE ON DOORS 1-3/8" ~ 2" (35mm ~ 51mm) THICK

### TOOLS REQUIRED FOR NEW INSTALLATION:

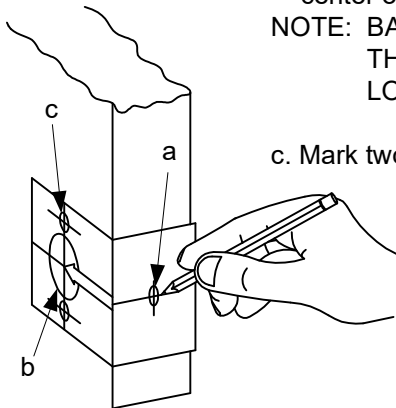
- 1 philips head screwdriver
- 1 2-1/8" (54MM) hole saw
- 1 1" (25.4mm) drill bit
- 1 5/16" (8mm) drill bit
- 1 chisel
- 1 file

OPTIONAL:  
DOOR CORE DRILLING GUIDE #7000-DG &  
CORING DRILL BIT #7000-DB



### 1. MARK DOOR

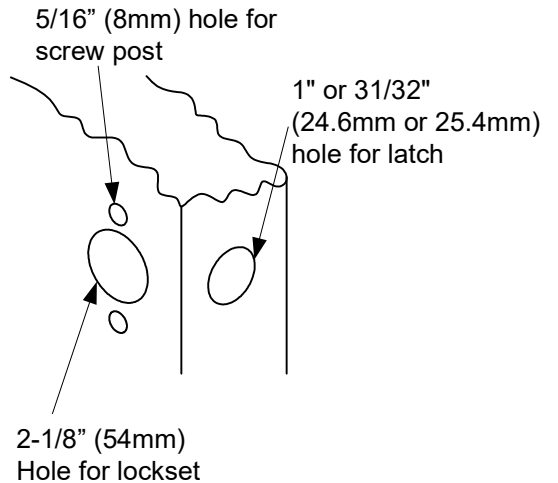
- a. Mark centerline on door face and door edge (usually 38" from finished floor)
  - b. Select backset 2-3/8" or 2-3/4" and mark hole center on door face
- NOTE: BACKSET ON DOOR FACE MUST BE THE SAME AS BACKSET OF YOUR LOCK.



- c. Mark two holes for screw post.

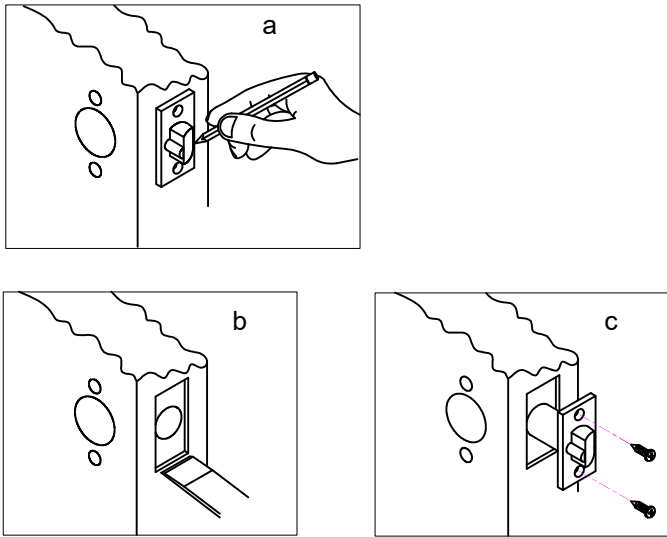
Fold template for High or Low Bevel positioning (reference template)

### 2. DRILL HOLES



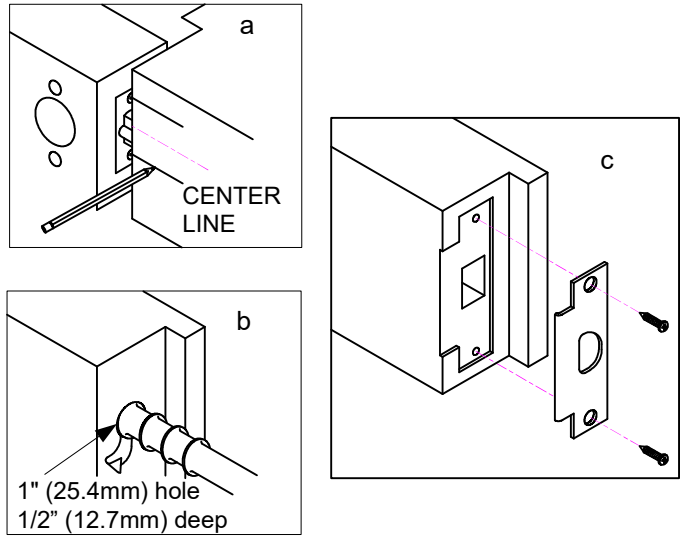
### 3. INSTALL LATCH

- a. Insert latch in hole and keep it parallel to door face. Mark outline and remove latch
- b. Chisel 1/8" (3mm) deep or until faceplate is flush with door edge.
- c. Insert latch and tighten screws.  
NOTE: LATCH BOLT BEVEL MUST FACE TOWARDS CLOSING DIRECTION.

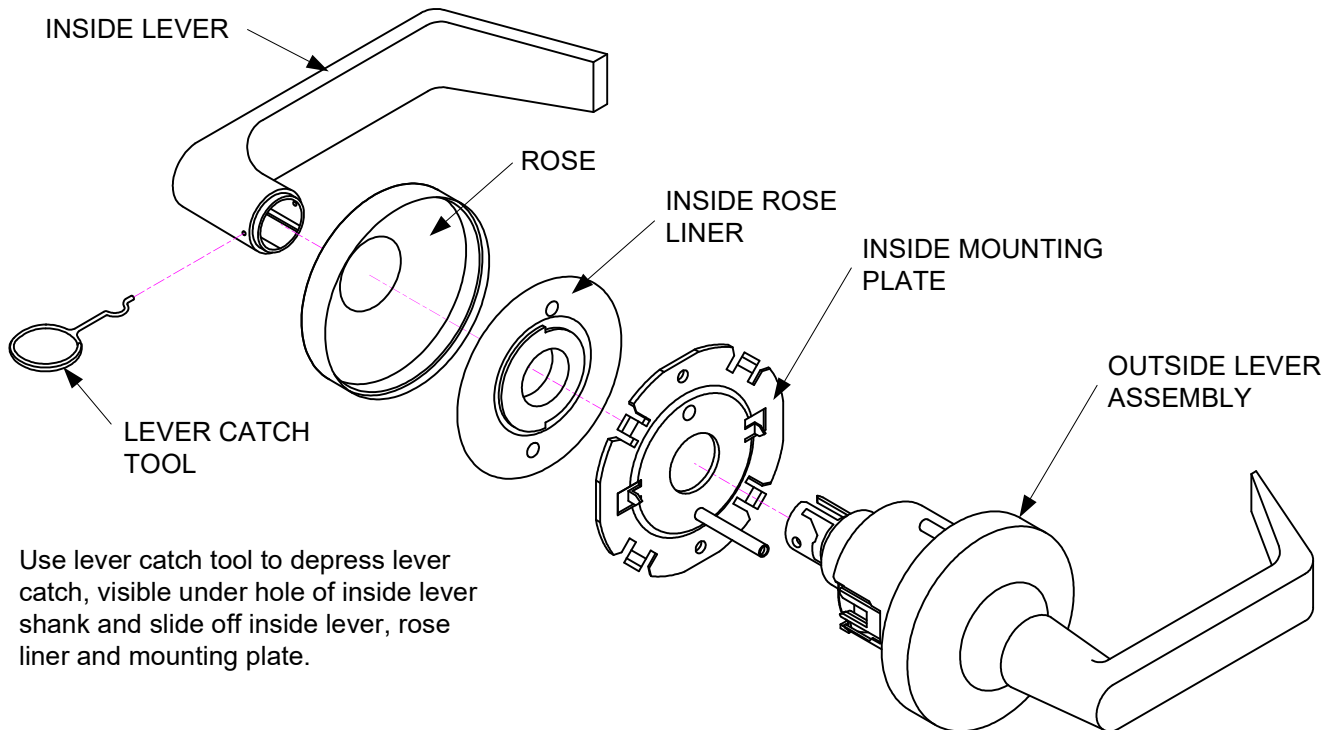


### 4. INSTALL STRIKE

- a. Close door to mark horizontal line of strike.
- b. Measure one half of door thickness from door stop to mark vertical center line of strike. Drill 1" (25.4mm) hole, 1/2" (12.7mm) deep at intersection of horizontal and vertical center lines.
- c. Cut out jamb 3/32" (2.4mm) deep or until strike is flush with jamb. Tighten screws securely.

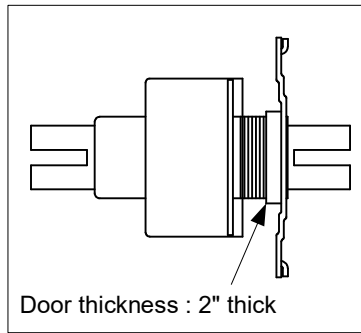
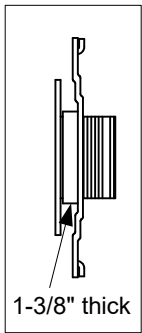
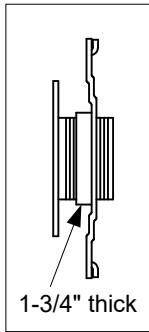


### 5. REMOVE INSIDE TRIM



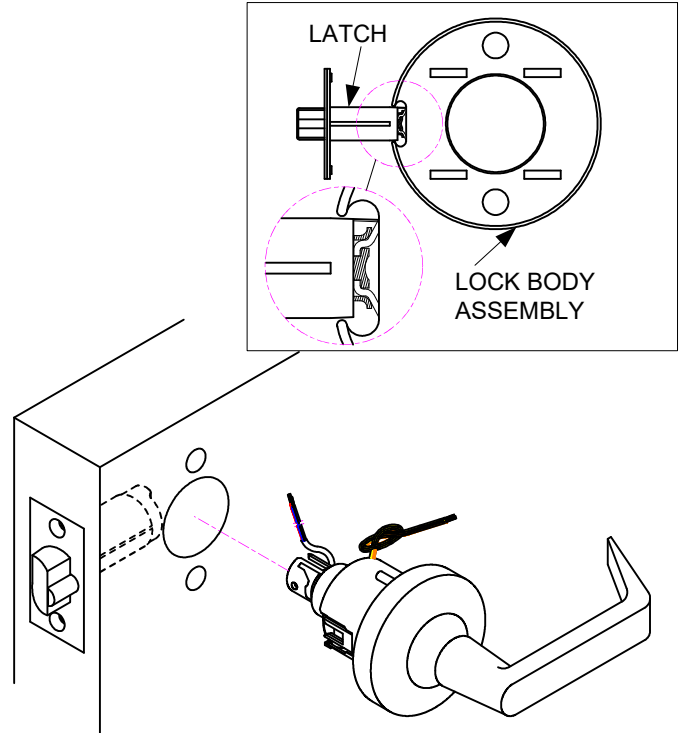
Use lever catch tool to depress lever catch, visible under hole of inside lever shank and slide off inside lever, rose liner and mounting plate.

## 6. ADJUST DOOR THICKNESS



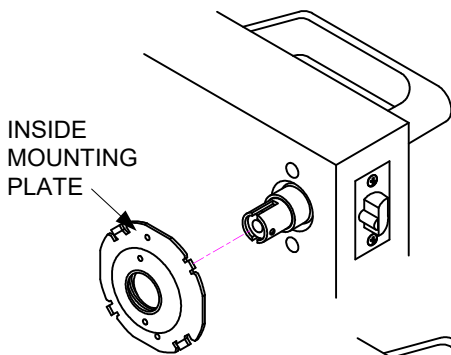
## 7. INSTALL OUTSIDE LEVER ASSEMBLY

Install outside lever assembly on the door. Make sure tail of latch is engaging with retractor correctly as illustrated. Refer to wire diagram on last page for wiring.

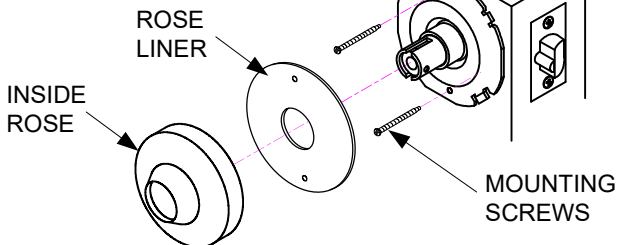


## 8. INSTALL INSIDE MOUNTING PLATE AND ROSE

a. Install inside mounting plate to lock body.

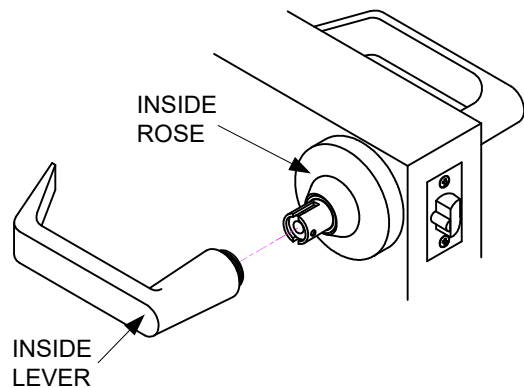


b. Press inside rose onto mounting plate and tighten screws securely.



## 9. INSTALL LEVER

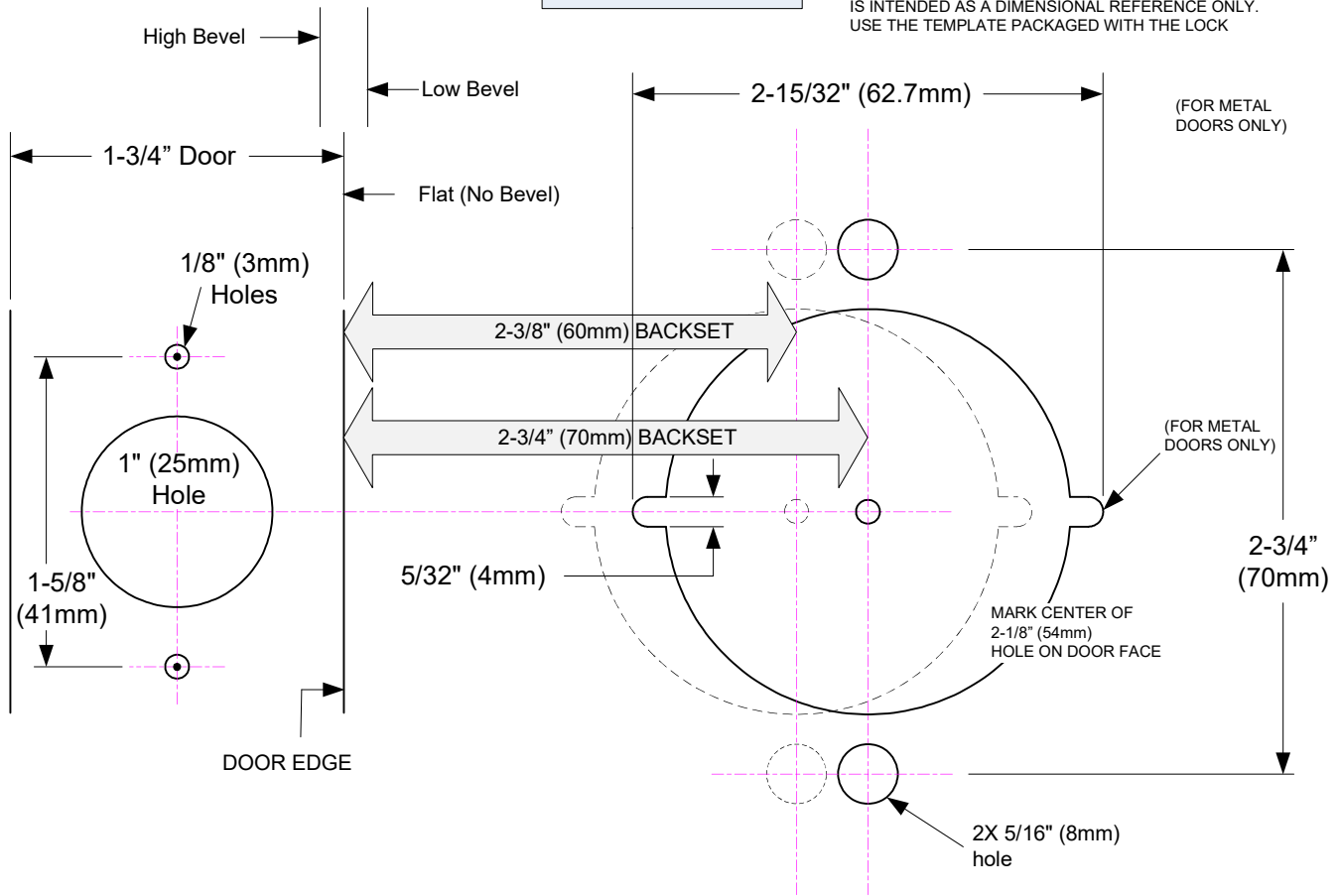
a. Depress lever catch with tool provided. Push inside lever on completely until catch engages in lever. Confirm lever is secured.



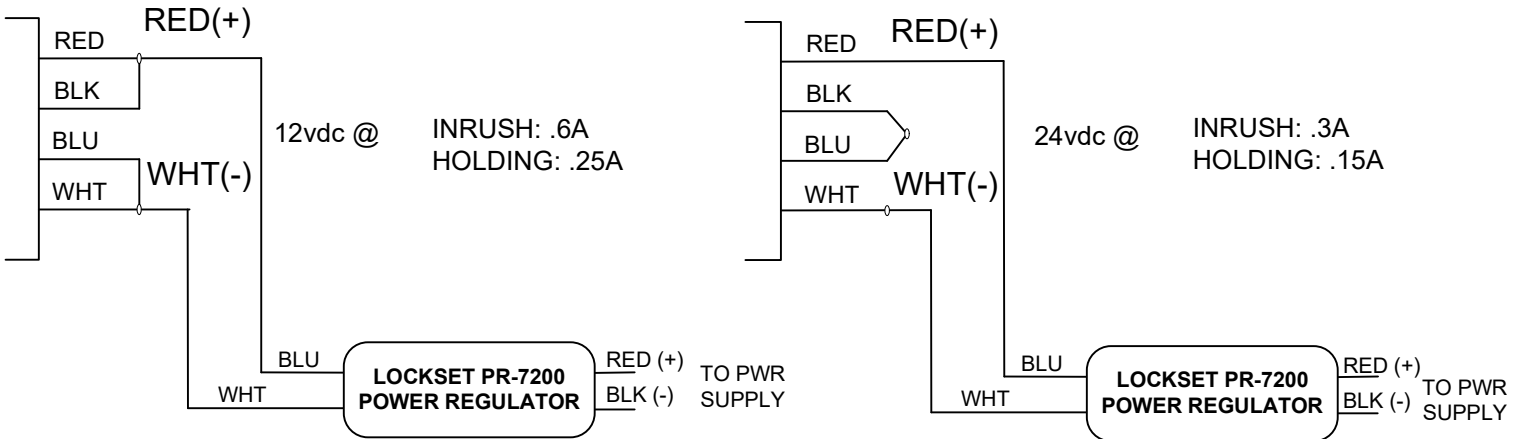


**LAYOUT**

DO NOT USE AS A PHYSICAL TEMPLATE. THIS LAYOUT IS INTENDED AS A DIMENSIONAL REFERENCE ONLY. USE THE TEMPLATE PACKAGED WITH THE LOCK



**WIRE DIAGRAM**



Using the PR-7200 limits the power consumption, reduces operating temperature, and suppresses inductive kickback. (The PR-7200 is only supplied with the Fail-Safe models.)

LATCH STATUS MECHANICAL SWITCH SPDT  
3A @ 30VDC

LATCH STATUS	COM = WHT/RED
	N/C = ORG/RED
	N/O = YEL/RED

\*Both options cant be used simultaneously.

REQUEST-TO-EXIT MAGNETIC SENSOR  
200mA @ 30VAC (RESISTIVE)

REX	COM = GREY
	N/C = YELLOW
	N/O = ORANGE