

SDC Security Door Controls

801 Avenida Acaso, Camarillo, Ca. 93012 • (805) 494-0622 •
www.sdcsecurity.com • E-mail: service@sdsecurity.com

INSTALLATION INSTRUCTIONS LR100ARK-EM ADAMS RITE ELECTRIC LATCH RETRACTION DEVICE KIT EXTERNAL MODULE 3700, 8700, 8800

Assemble brackets
as shown for different
size Exit Devices.

36" or 42"

48"

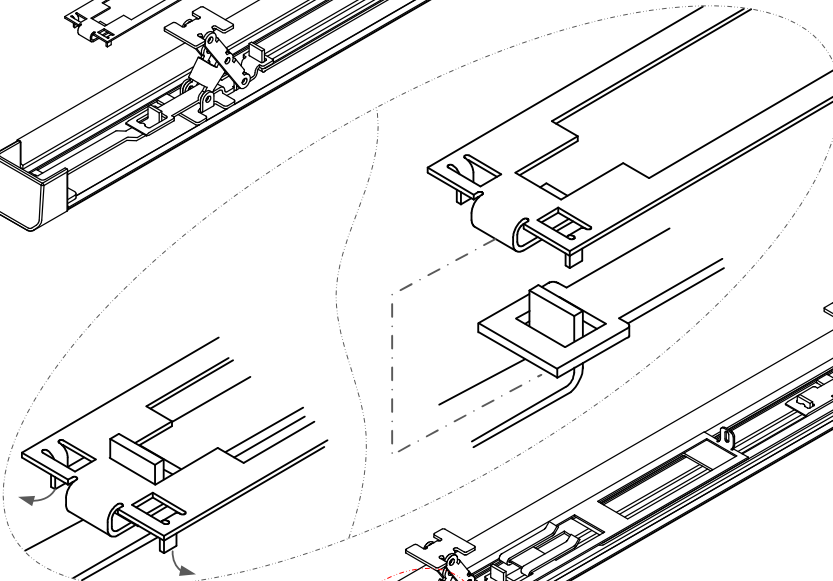
Retrofit Installation Note: 42" or 48" exit devices that have been modified to fit a 36" or smaller opening, may not have the required space to fit the standard E. L. R. assembly. Always verify the distance from the end of the touchpad to the end rail, and if necessary, consult with the factory for appropriate selection.

Remove
End Cap

Install the ELR bracket
assembly into device
extrusion, over the Push
Bar support brackets.

Push Bar
support bracket

Attach the Bracket assembly to
the existing Device linkage as
shown. Once the Bracket is in
place, bend out the tabs so the
Bracket assembly will slide easily,
without falling out or binding.



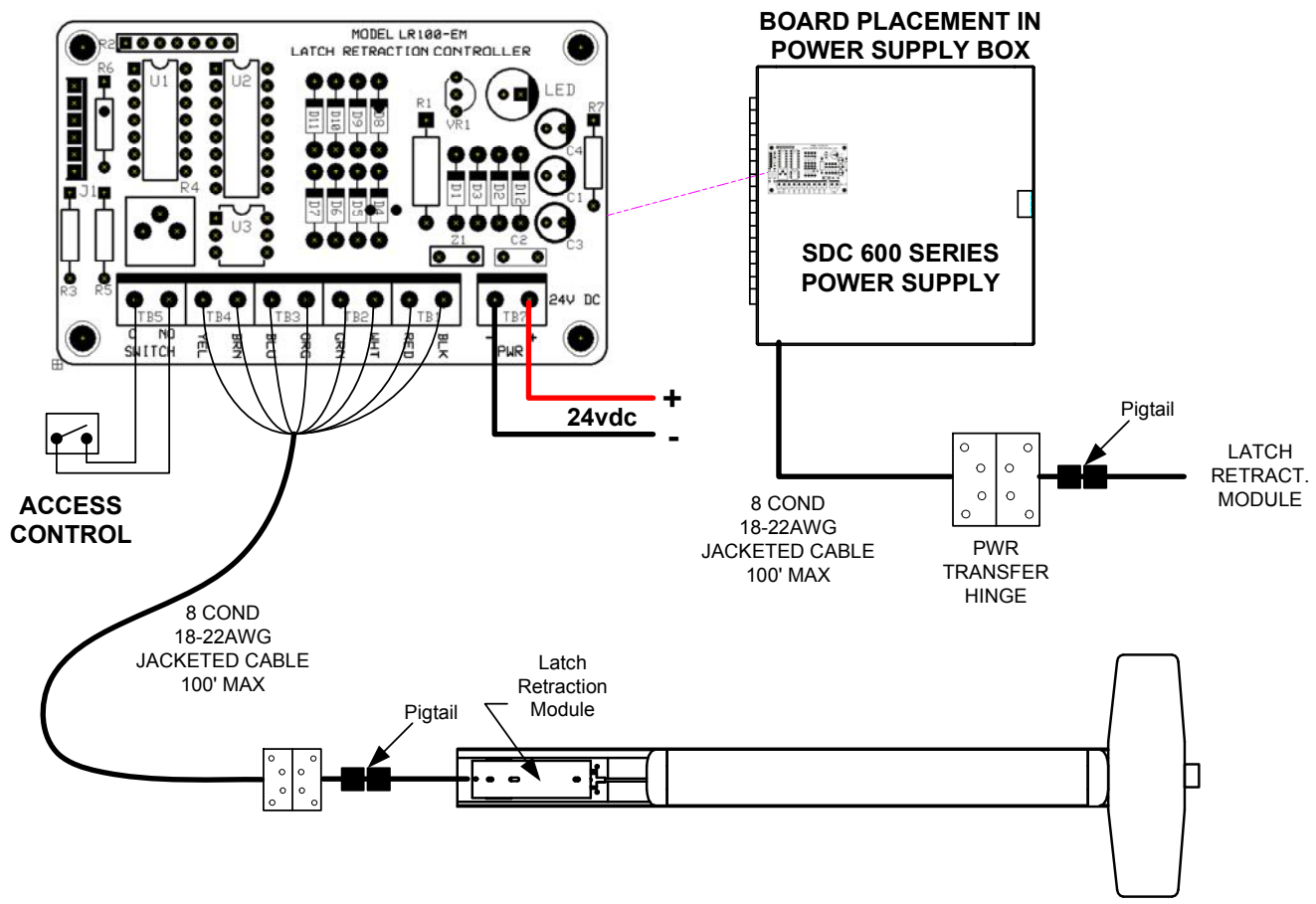
Slide ELR into back of
device and attach to
bracket assembly with
supplied screw.

Bend tabs out

Apply power to the ELR unit to make it draw the
sliding latch bracket back to the open position.
Secure in position by tightening the set screws in the
ELR assembly.

ELECTRICAL DATA
24VDC @ 700/200mA
RED (+) BLK (-)
PATENT #8,851,530

Any suggestions or comments to this instruction or
product are welcome. Please contact us through
our website or email engineer@sdsecurity.com



Retrofit Installation Note: 42" or 48" exit devices that have been modified to fit a 36" or smaller opening, may not have the required space to fit the standard E. L. R. assembly. Always verify the distance from the end of the touchpad to the end rail, and if necessary, consult with the factory for appropriate selection.