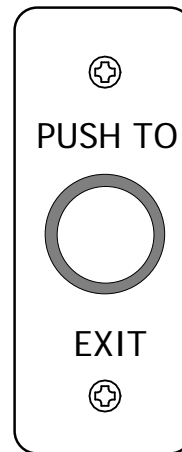
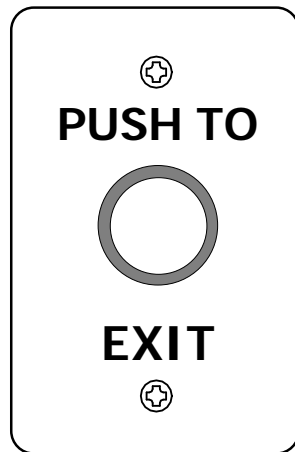


SDC Security Door Controls

801 Avenida Acaso, Camarillo, Ca. 93012 • (805) 494-0622 •
www.sdcsecurity.com • E-mail: service@sdsecurity.com

INSTALLATION INSTRUCTIONS MODEL 463U/463NU REQUEST-TO-EXIT SWITCH



Specifications

Input Voltage Requirements:
12-24V AC/DC

Current Draw:
Idle-30mA, Active-150mA

Output:
1 Dry Relay Contact, SPDT
1 Amp @ 30VDC (Resistive)

Relay Time:
Adjustable – 1 to 40 seconds
or Toggle Mode – ON/OFF

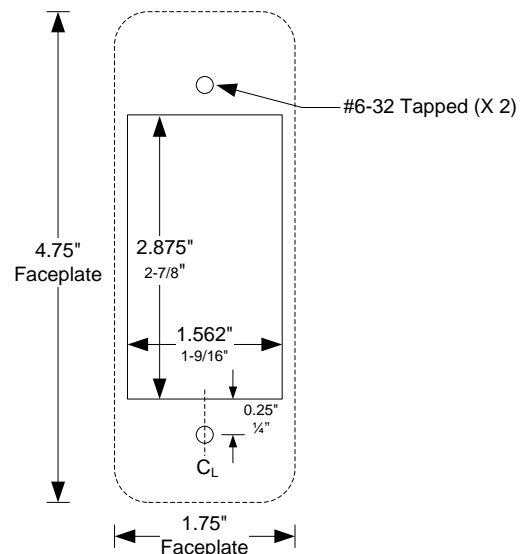
Capacitive Switch Operating Environment:
-40° F to +160°F (-40° C to +70°C)

Dimensions:
463U - Standard
4.75" H x 3" W x 1.125" D
(120.65 x 76.20 x 28.58 mm)
463NU - Narrow
4.75" H x 1.75" W x 1.125" D
(120.65 x 44.45 x 28.58 mm)

Mounting Method

463U:
Mounts directly to a single gang switchbox.

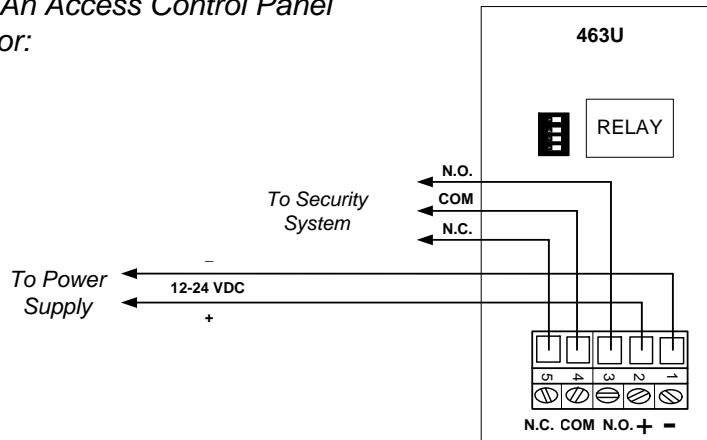
463NU: Mullion mount
(See template below. Not to scale.)



Any suggestions or comments to this instruction or product are welcome. Please contact us through our website or email engineer@sdsecurity.com

Typical Wiring

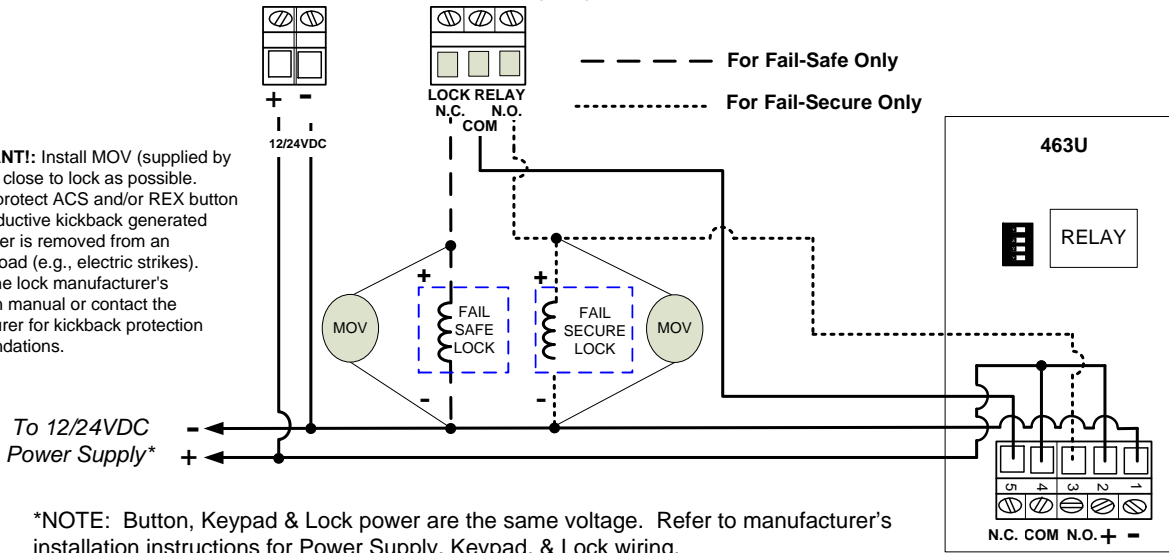
Connecting To An Access Control Panel
or Door Operator:



Connecting To an Access Controlled Fail-Safe **OR** Fail-Secure Locking Device:

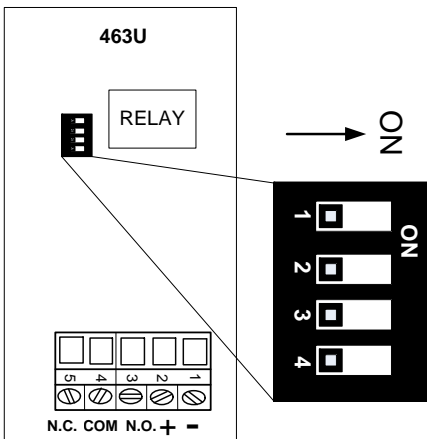
TYPICAL ACCESS CONTROL SYSTEM (ACS) KEYPAD

IMPORTANT! Install MOV (supplied by others) as close to lock as possible. MOV will protect ACS and/or REX button against inductive kickback generated when power is removed from an inductive load (e.g., electric strikes). Refer to the lock manufacturer's installation manual or contact the manufacturer for kickback protection recommendations.



Programming

Use the DIP switches to adjust the Relay Activation Time or to reverse the Standby Illumination setting.



Programming Feature	Dip Switch #			
	1	2	3	4
5 second unlock delay	ON			
10 second unlock delay		ON		
15 second unlock delay	ON	ON		
20 second unlock delay			ON	
30 second unlock delay	ON		ON	
40 second unlock delay		ON	ON	
Toggle ON/OFF	ON	ON	ON	
Standby Illumination				*

Relay Activation Time – Controlled by DIP switches #1, 2 & 3.
 Minimum Time (DIP switches 1, 2 & 3 are OFF) = 1 second
 Maximum Time (DIP switches 2 & 3 are ON) = 40 seconds

***Standby Illumination Status** – controlled by DIP switch #4.
 SW #4 OFF = Red (Idle); Flashing Green (Relay Active)
 SW #4 ON = Green (Idle); Flashing Red (Relay Active)