

1570 Series Gate EMLock®



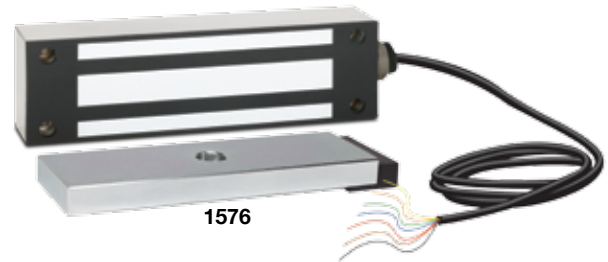
1575

SDC's Gate EMLock® provides 1200lbs of holding force and enables the access and egress control of pedestrian and vehicle gates. Access controls such as card readers, digital keypads and remote control stations provide gate and lock control.

Gate EMLocks® are compatible with manual and automatic, swinging and sliding, tubular and iron gates. The floating armature design compensates for gate misalignment with the electromagnet.

WEATHERIZED

SDC Gate EMLocks® are totally sealed in an epoxy filled stainless steel case. A threaded conduit fitting ensures weather resistant protection of the wiring.



1576

FEATURES

- Stainless Steel Case
- Epoxy filled for weather resistance
- Threaded conduit fitting
- Built-in voltage kickback protection
- Low power consumption
- Built-in bond sensor (BAS)
- Built-in door position sensor (DPS)

MODELS

- **1575U** Standard mounting with magnetic bond sensor & DPS
- **1576U** Face drilled with magnetic bond sensor & DPS

SPECIFICATIONS

Holding Force	1200lbs
Voltage Input	450mA @ 12VDC; 225mA @ 24VDC
DPS and BAS sensors	SPDT, 250mA @ 30VDC
Wire Leads	24 AWG, 3ft. long
Conduit Fitting	1/2" Length, 3/4" outside thread, 1/2" inside thread

Mechanical Specifications

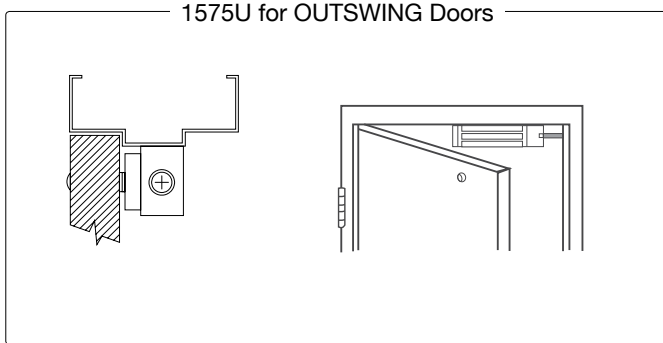
Lock	8-11/16" L x 2-1/2" H x 1-5/8" D
Armature	7-3/4" L x 2-13/32" H x 5/8" D
Case	Stainless steel
Weight	
1575	11 lbs
1576	10 lbs



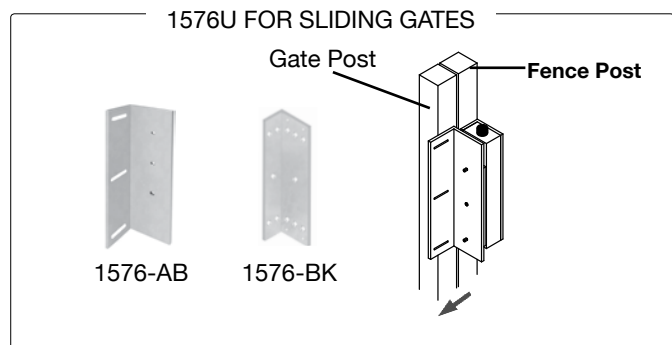
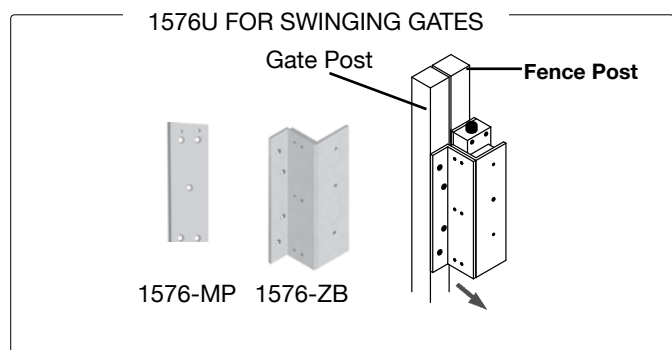
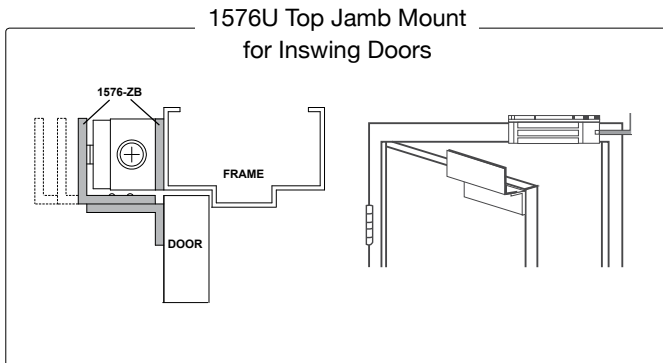
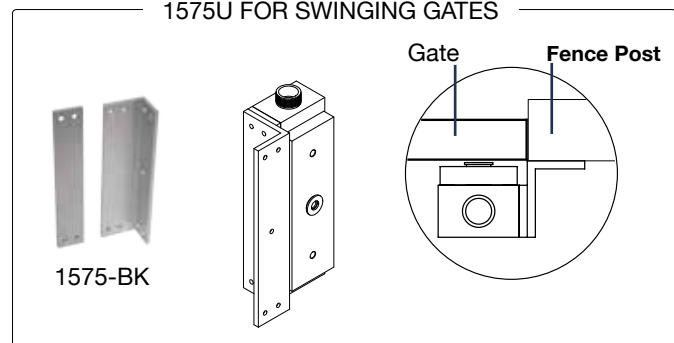
APPLICATION

With no moving parts to bind or wear, the Gate EMLock® is inherently failsafe and will unlock automatically during a power outage. For security applications, the SDC 600 series power supplies with battery backup capability, can provide continuous operation during a power outage.

CONDUIT FITTING DOOR APPLICATION





CONDUIT FITTING GATE APPLICATIONS





ACCESSORIES



For top jamb door application

-  **1576-MP** Lock Mounting Plate for 1576
-  **1576-ZB** Lock Mounting Z Bracket for 1576
(Includes 1576-MP)

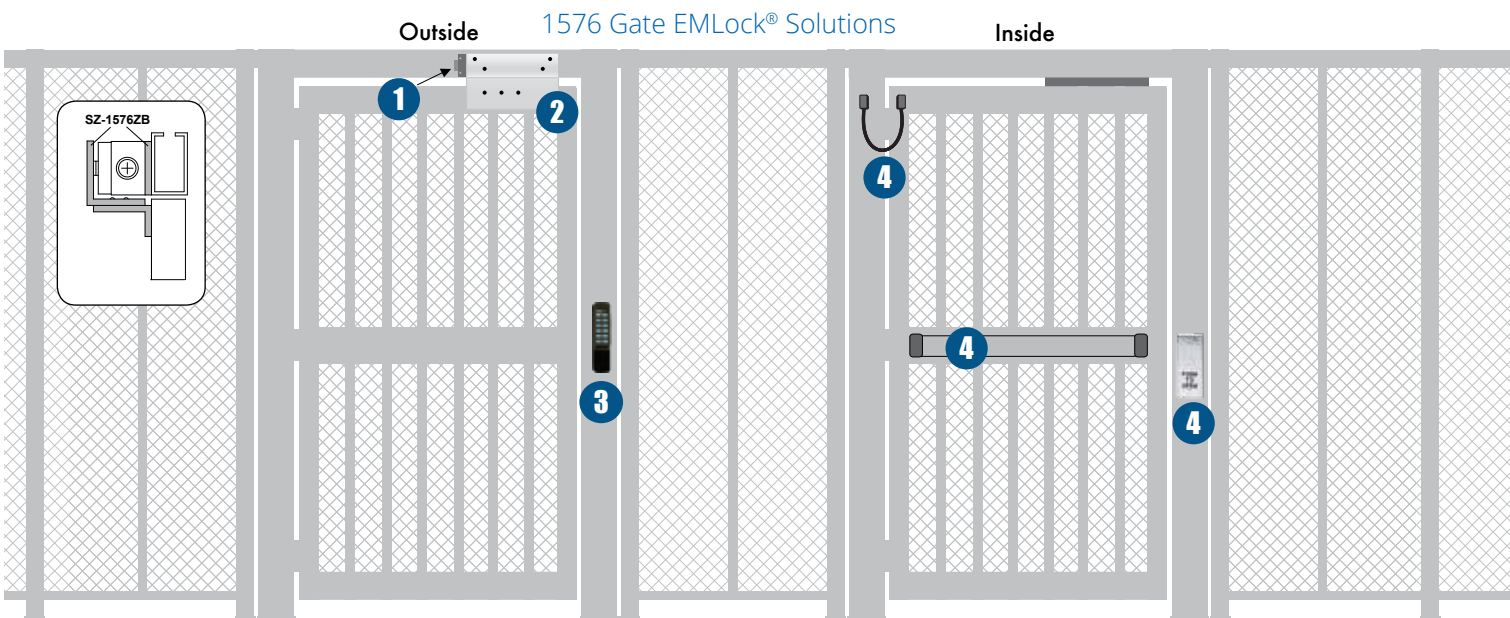
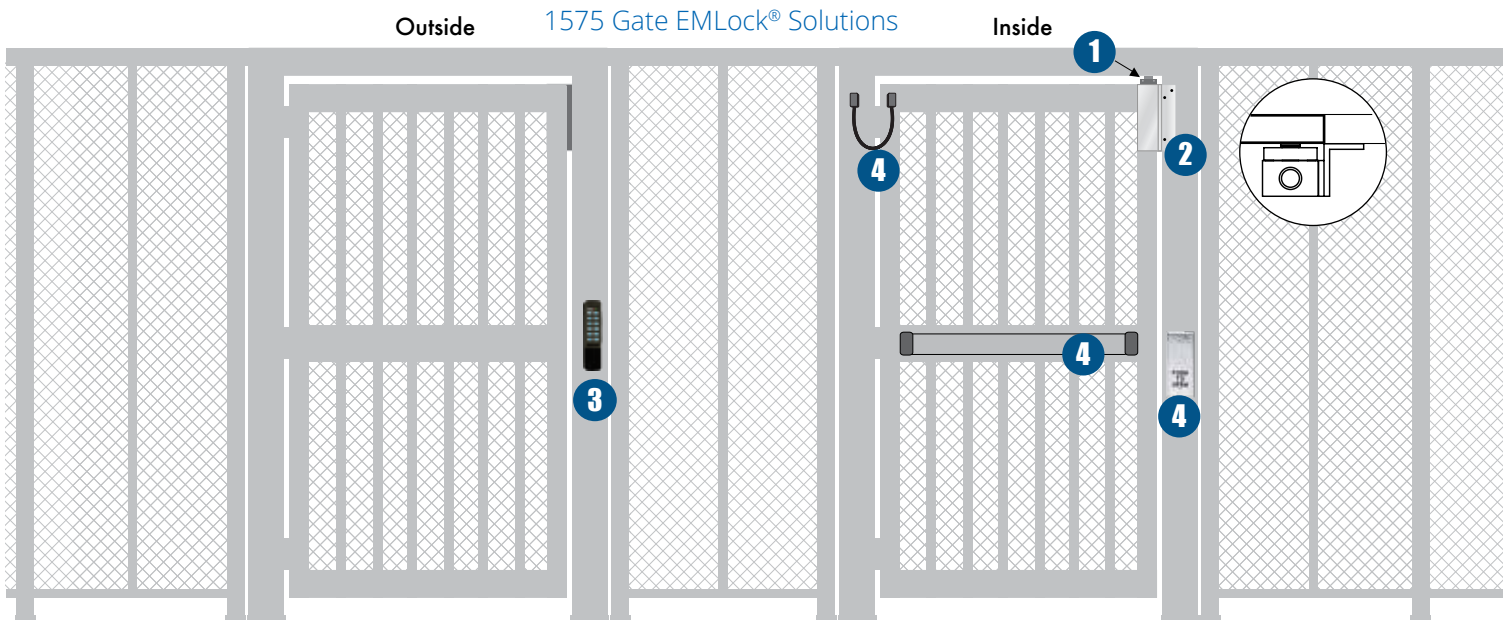
For sliding gate applications

-  **1576-BK** Mounting Bracket for 1576
-  **1576-AB** Armature Mounting Bracket for 1576

For swinging gate applications

-  **1576-ZB** Lock Mounting Bracket for 1576
(Includes 1576-MP)
-  **1575-BK** Lock Mounting Bracket for 1575

APPLICATION Gate Solution



GATE EMLOCK® SOLUTIONS / ACCESSORIES

- 1** GATE MAGNETIC LOCK
 - 1575U** Gate Magnetic Lock
 - 1576U** Gate Magnetic Lock with face drilled mounting
- 2** GATE MOUNT BRACKETS
 - 1575BK / 1576-ZBV / 1576-AB / 1576-BK** Application Specific Brackets
- 3** OUTDOOR ACCESS CONTROL
 - 923** Narrow Stand Alone Digital Keypad
- 4** Request-To-Exit
 - 48201U** ADA approved Narrow Mullion Push Plate Switch
 - MSB550W** Outdoor Weather Resistance Mechanical Switch Bar

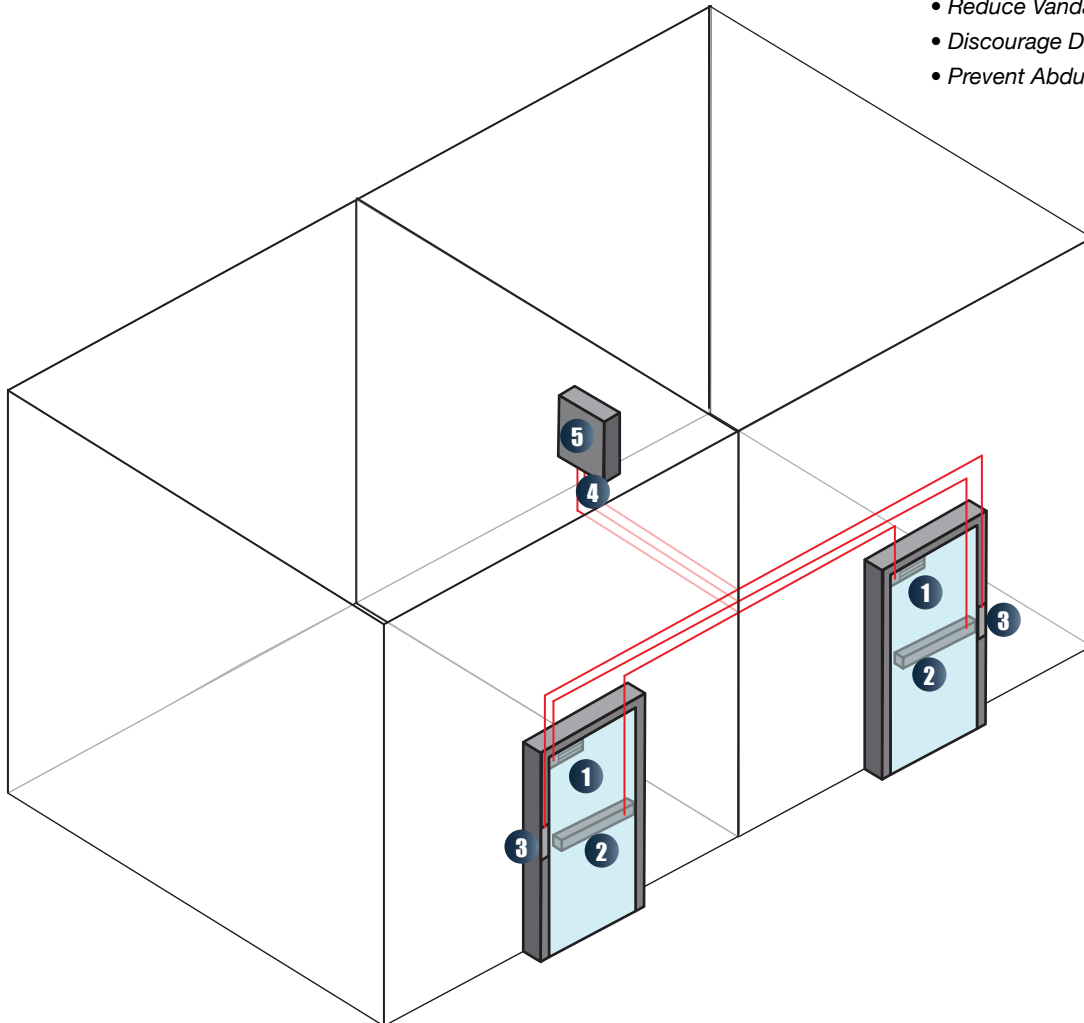


APPLICATION

Public Park Safety

After-Hour Restroom Security Solution

- Deter Homeless Occupancy
- Eliminate Daily Staff Unlock/Lock
- Weather Resistant Hardware
- Reduce Vandalism & Graffiti
- Discourage Drug Use Activity
- Prevent Abduction & Sexual Crimes



1a 1575U Electromagnetic Gate Lock



1b 1576 Electromagnetic Gate Lock



1c E6200 Magnetic Lock



2 MSB550-2WV Mechanical Switch Bar



3 802ALN Single Gang Key Switches



4 631RFXUR-1 1.5 Amp Power Supply



5 14-2 Timer Module

