

## Megapixel Camera Lens

User Manual

SLA-M2890DN



PT01-002619A



## SAMSUNG AUTO IRIS LENS FOR Megapixel CAMERA OPERATING INSTRUCTIONS

SAMSUNG Lens is aimed at sharp, crisp images and exposure accuracy under even the most adverse lighting conditions.

The iris auto-close function protects imagers and optical filters from extreme high lights when power is off.

To receive the best possible results, read the instruction manual carefully before using the lens.



Samsung Techwin cares for the environment at all product manufacturing stages to preserve the environment, and is taking a number of steps to provide customers with more environment-friendly products. The Eco mark represents Samsung Techwin's will to create environment-friendly products, and indicates that the product satisfies the EU RoHS Directive.

## CONTENTS

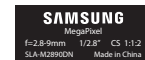
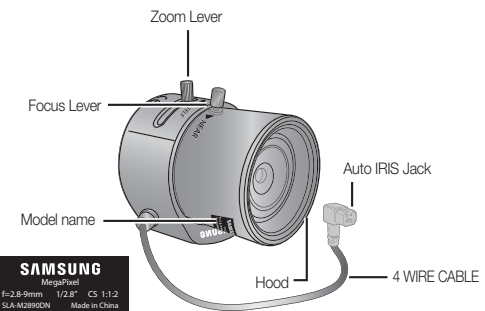
LENS	3
PART NAMES AND FUNCTION	3
IRIS	3
HOW TO ASSEMBLE LENS AND CS MOUNT CAMERA	4
WIRING	4
DIMENTION	5
SPECIFICATION	6

## LENS

This lens embeds ND filter and takes auto iris function by Galvanometer.

It has self focus and mount control function, operates DC iris function through lens and attached cable.

## PART NAMES AND FUNCTION



## IRIS

This lens have a built-in ND filter and iris by Galvanometer. This iris tool is driven by inner circuit of camera. If power is off, its state is locked.

## HOW TO ASSEMBLE LENS AND CS MOUNT CAMERA

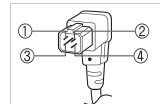
- 1) Turn the lens clockwise to lock onto camera part mount screw.  
(When the lens locks successfully, it can turn around SLIP state)
- 2) Turn clockwise until stop by stopper even if it almost SLIP state.
- 3) From that point, turn the lens counter clockwise to rotate it in the SLIP state by up to. In such a way, you can adjust the lens to a desired position.
- 4) Connect the lens cable to the appropriate camera connector.
- 5) Finally, use the focus lever and zoom lever to fit the zoom factor and focus.  
Then, fix the lens with the camera.



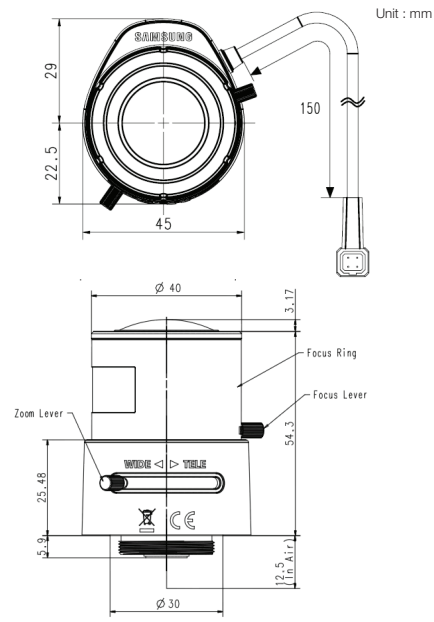
- This lens takes CS mount type so should be used 12.5mm FLANGE-BACK setting camera.

## WIRING

1	Orange	Control(-)
2	Yellow	Control(+)
3	Red	Drive (+)
4	Black	Drive (-)



## Dimension



## SPECIFICATION

Model	SLA-M2890DN	
Imager Size	1/2.8"	
Focal Length	2.8-9.0mm	
Max. Resolution	3 Mega-Pixel	
Max. Aperture Ratio	1:1.2	
Max. Image Format	5.12mm x 3.84mm (Max Ø6.7)	
Operation	Iris	DC Auto Iris(F1.2 - F360C)
	Focus	Manual(0.3m ~ Inf.)
	Zoom	Manual(2.8-9.0mm)
Angle of View	Diagonal	134.2° - 42.7°
	Horizontal	104.2° - 33.7°
	Vertical	77.2° - 25.3°
Back Focal Length	7.52mm(0.30") (In Air)	
Flange Back Length	12.5mm (0.49")	
Mount	CS-mount	
Dimension (W x H x D)	40 x 51.5 x 63mm(1.57" x 2.03" x 2.48")	
Operating Temperature	-10°C ~ +50°C (+14°F ~ +122°F)	
Weight	84g(0.19lb)	

## SALES NETWORK

SAMSUNG TECHWIN CO., LTD.  
6, Pangyo-ro 319beon-gil, Bundang-gu, Seongnam-si, Gyeonggi-do, SEOUL 463-400 Rep. of KOREA  
Tel : +82-70-7147-8753, 8764 Fax : +82-31-8018-3740  
www.samsungsecurity.com

SAMSUNG TECHWIN AMERICA Inc.  
100 Challenger Rd. Suite 700 Ridgely Park, NJ 07660  
Toll Free : +1-877-213-1222 Direct : +1-201-325-6920  
Fax : +1-201-373-0124  
www.samsung-security.com

www.samsungtechwin.com  
www.samsungsecurity.com

SAMSUNG TECHWIN EUROPE LTD.  
2nd Floor, No. 5 The Heights, Brooklands, Weybridge, Surrey, KT13 0NY, UK  
Tel : +44-1932-82-6700 Fax : +44-1932-82-6701  
www.samsungsecurity.co.uk