

ASSA ABLOY**MODEL ZA-32/62 AND ZA-82 (ADJUSTABLE Z BRACKET)
INSTALLATION INSTRUCTIONS****1. DESCRIPTION**

Securitron's "ZA" bracket has been designed to allow a full range of adjustability while maintaining a high level of strength. Its versatile adjustment provides increased adaptability to the wide variety of installation configurations encountered when installing an "F" Series (Face Mounted) Magnalock on an inswinging door. Separate versions are available for the M32/M62 and M82 series Magnalocks. The installation procedures presented here are identical for all of the ZA models with only the physical (width) dimensions of the lock and ZA bracket cover differing.

2. INSTALLATION OF THE ZA BRACKET AND LOCK

As with any product installation the proposed mounting area and structure should be evaluated and the task should be thoroughly planned before drilling any holes. There are a couple of different methods possible to properly install this bracket system.

Method I - The following is the recommended step-by-step procedure for mounting the lock first:

- a. Using the hardware, product installation manual and template provided with the lock, mount the lock to the header at a structurally sound location above the door as shown in Figures 1 and 2.
- b. Loosen the two (2) ZA bracket assembly bolts enough to disengage the teeth and allow the depth adjustment of the bracket.
- c. With the door closed, place the loosely assembled ZA bracket over the face of the lock so that the lower bracket mounting hole surface rests fully on the door face. Using the face of the lock for reference, the strike center mounting hole can be established vertically along the center of the upper bracket. Mark the upper bracket to indicate the desired position of the strike center mounting hole.
- d. Install the strike onto the upper bracket as instructed in Section 3.
- e. With the strike installed onto the loosely assembled ZA bracket, center the strike over the face of the lock and apply power to the lock. This will hold the bracket in place so that the ZA bracket can be adjusted to the appropriate depth and the lower bracket holes can be used as a template.
- f. After the depth of the bracket has been properly adjusted, tighten the screws of the ZA bracket to secure, then mark and drill the three (3) mounting holes in the door as shown in Figure 2.
- g. Using the provided hardware, affix the ZA bracket to the door.
- h. As necessary, loosen the two (2) ZA bracket assembly bolts and readjust the upper bracket toward or away from the door to gain optimum contact between the strike and the face of the lock when the door is closed.

Method II - The following is an alternate step-by-step procedure for mounting the ZA bracket first:

- a. Position the assembled ZA bracket on the door so that the lower bracket mounting hole surface rests fully on the door face. Referring to Figure 1, select a position that takes into account how the lock will be positioned above the door.
- b. Using the lower bracket as a template mark and drill the three (3) mounting holes as indicated in Figure 2.
- c. Using the provided hardware, affix the ZA bracket to the door.
- d. Position the lock against the door header at the desired vertical location and adjust the lock horizontally to center it in relationship to the ZA bracket with the door closed. Mark and drill the holes to mount the lock.
- e. Using the hardware, installation manual and template provided with the lock, mount the lock to the header above the door.
- f. Place the strike over the face of the lock so that the strike center mounting hole can be established vertically along the center of the upper bracket. Mark the bracket to indicate the desired position of the strike center mounting hole.
- g. Install the strike to the upper bracket as instructed in Section 3 and shown in Figures 1 and 2.

Additional installation considerations:

- In all cases when establishing component locations please take into consideration that the cover is slightly wider than the lock being mounted.
- The mounting position of the lower bracket can vary vertically on the door.
Therefore it should be verified prior to mounting that:
 - a. The sex bolt head when installed will not interfere with the door stop. **Note:** It is also possible to lower the sex bolt location by drilling a new lower hole in the bracket if necessary.
 - b. That there will be no interference between the hardware holding the bracket together (5/16" bolts) and the lock.
- The upper bracket is intentionally not pre-drilled to accept the strike because the vertical position of the strike on the bracket depends where the lock has been mounted (i.e. there may be a header molding/frame which must be cleared or in-wall anchoring considerations that affect lock positioning).
- The strike can be mounted so its top edge is higher than the top edge of the upper bracket. (This is why the bracket cover is open at the top).
- The ultimate mounting strength of the bracket to the door is due to the cap screw into the sex bolt. The two (2) hex sheet metal screws are for anti-rotation only. This fastener arrangement will function equally well on wood or hollow metal doors.

3. MOUNTING THE STRIKE PLATE TO THE ZA BRACKET

Holes must be drilled in the upper bracket of the ZA to mount the strike plate.

- a. After determining the strike center hole location, use the template showing the strike (furnished with the lock) and Figure 2, mark and drill the holes in the upper bracket.
- b. Install the plastic roll pin bushings. **Note:** These plastic bushings as furnished will protrude through the ZA bracket causing interference when mounting the cover. The bushings may be cut short with a hacksaw or if desired they can be omitted (using the roll pins alone).
- c. Ensure that at least one (1) roll pin is pressed into the back of the strike plate.
- d. Using the hardware provided, install the strike, using two (2) rubber washers minimum. The two washer minimum is recommended because it will allow the strike to correctly meet the magnet face in most cases.

4. ADJUSTING THE STRIKE PLATE AND INSTALLING THE DRESS COVER

Adjusting the strike engagement distance can be performed as necessary using the following methods or combination of methods:

- a. Loosening the ZA assembly fasteners (5/16" bolts) enough to disengage the teeth, setting and re-engage the teeth at the desired distance, then tightening the bolts.
- b. Adding extra rubber washers (a third one comes with each Magnalock and a fourth one is furnished with the ZA bracket). These rubber washers can space the strike farther from the bracket to help compensate for a door that may not be parallel with the header.

Note: Two (2) sets of roll pins are supplied. Use the 3/4" [19.1MM] long roll pins to attain correct spacing when using 2 rubber washers. Use the 1" [25.4MM] long roll pins to provide correct spacing when using 3 to 4 rubber washers.

After the necessary adjustments have been made to the installed ZA bracket the dress cover may be installed as follows:

- a. Using a clean cloth and a household cleaner, wipe off the back side of the upper bracket and allow to dry.
- b. Remove the backing from the two (2) strips of tape on the inside of the cover.
- c. With the door closed, vertically position the cover open-end-up to the desired location, then visually align the cover horizontally so that there is an equal spacing of clearance to each side of the lock inside the cover.
- d. Firmly press the cover into place against the back of the upper bracket to secure.

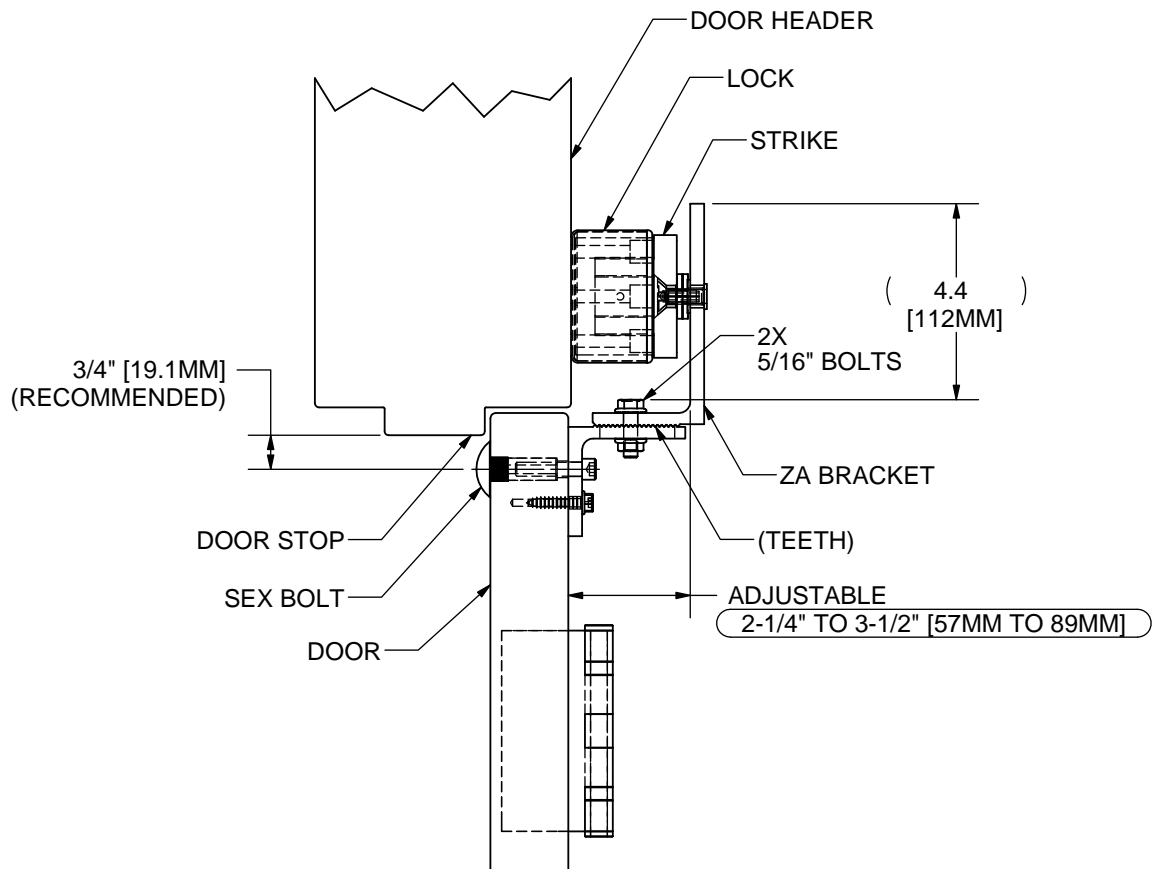


Figure 1

DOOR PREPARATION FOR LOWER BRACKET:

- A) FOR SEX BOLT:
 DRILL $\varnothing 3/8"$ [9.5MM] THRU DOOR - THEN
 DRILL $\varnothing 1/2"$ [12.7MM] X 1.5" [38.1MM] DEEP
 FROM THE SEX BOLT SIDE OF THE DOOR
- B) FOR #14 SCREWS:
 DRILL $\varnothing 3/16"$ [4.8MM] X 1" [25.4MM] DEEP

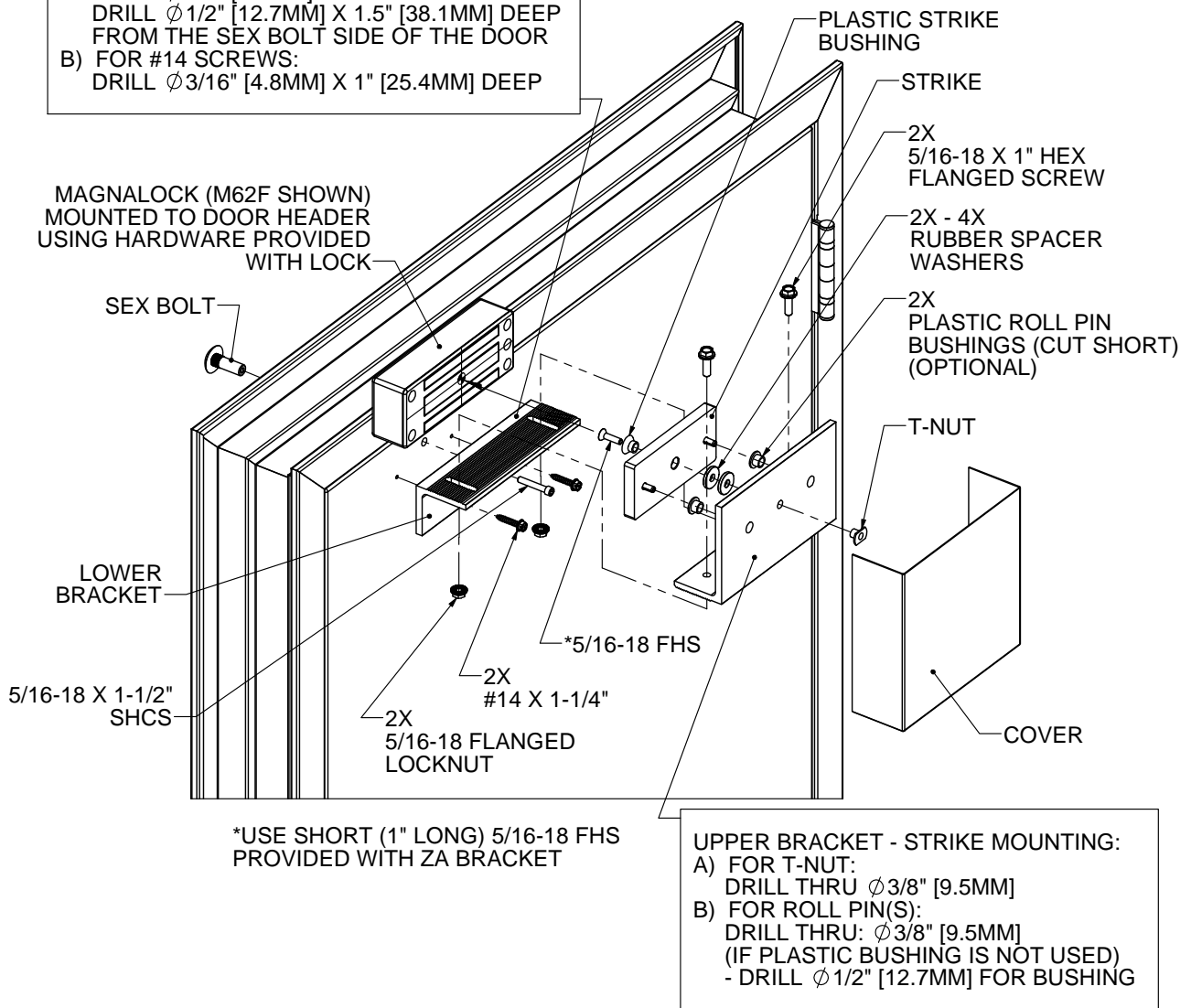


Figure 2