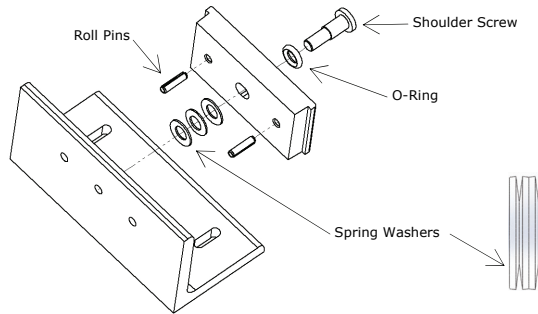


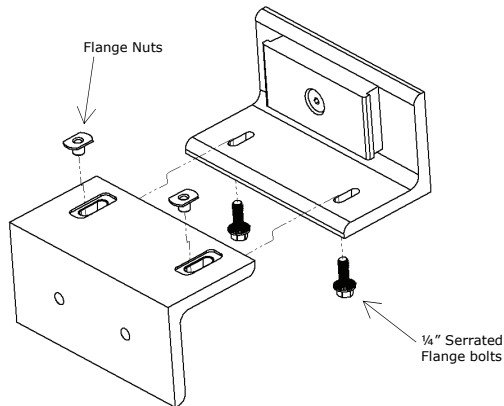
## MM15 Z-BRACKET KIT INSTALLATION INSTRUCTIONS

### STEP 1: MOUNT Z-BRACKET

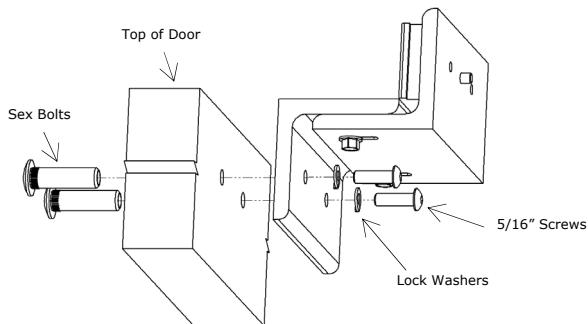
- Assemble armature per MM15 instructions. Secure to Z-Bracket using shoulder screw.
  - Use 2 or 3 spring washers behind armature - stack as shown. Armature should not be loose, but be able to pivot enough to contact the Z-Bracket when pushed.



- Assemble Z-Bracket components as shown. Hand tighten so bracket slides freely.

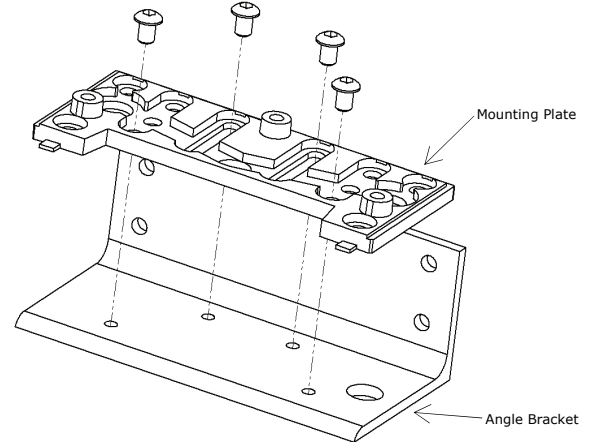


- With door fully closed, locate Z-Bracket assembly flush with top of door and mark two hole locations. Check for interferences and relocate if necessary.
- Drill door mounting holes:
  - Metal Door - Drill 3/8" holes through door. Enlarge the outside face holes only to 1/2".
  - Wood Door - Drill 1/2" holes through door.
- Fasten Z-Bracket assembly to door:
  - Insert sex bolts (1 from MM15, 1 from Z-Bkt. Hardware packs) into holes on outside of door.
  - Attach Z-Bracket using 5/16" button head screws and lock washers into sex bolts.



### STEP 2: MOUNT ANGLE BRACKET

- Align mounting plate with holes in angle bracket - secure using four 1/4" button head screws from MM15 hardware pack.

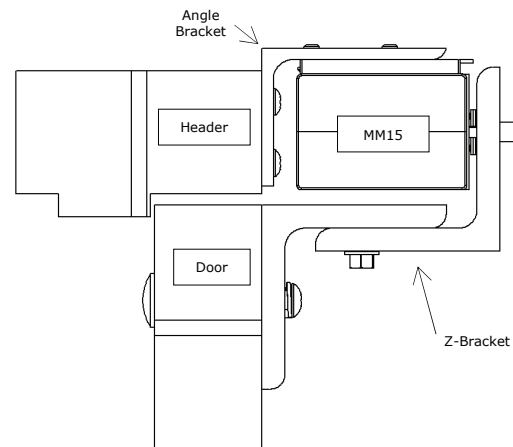


- Place a 1/4" spacer (not included) on the Z-Bracket; set the MM15 on spacer, against armature; engage angle bracket/mounting plate on top of MM15.
- Mark location of angle bracket on header. Bottom edge of MM15 should be aligned with lower edge of header. Remove angle bracket, MM15 & spacer.
- Relocate angle bracket; mark hole locations; drill 3/8" holes; install blind nuts from MM15 hardware pack.
- Secure angle bracket to header.

### STEP 3: MOUNT MM15

(See MM15 Installation Instructions for complete details.)

- Remove MM15 cover.
- Attach MM15 to bracket:
  - Feed wiring through angle bracket or conduit.
  - Secure MM15 with three cap screws from lock hardware pack.
- Connect wires to appropriate switching device (such as key pad, card reader or switch) and power supply.
- Replace MM15 cover - align mounting holes then push up until lip snaps into place.
- Fasten cover with two #6 flat head screws.



### MAGNACARE® LIFETIME REPLACEMENT WARRANTY

For warranty information visit: [www.securitron.com/en/site/securitron/About/MagnaCare-Warranty/](http://www.securitron.com/en/site/securitron/About/MagnaCare-Warranty/)