

ASSA ABLOY
Opening Solutions

Experience a safer
and more open world

Electronic Security Hardware

HES | Securitron Product Catalog



Securitron® PSP Medium Filtered DC Plug-In Power Supply

Medium capacity plug-in power supply



Securitron PSPs are ideal for powering a wide range of DC devices where power is available via an outlet.

The Securitron PSP Plug-in DC Power Supplies are available in 12 volts at 3A maximum capacity or 24 volts at 1.5A maximum capacity.

Features

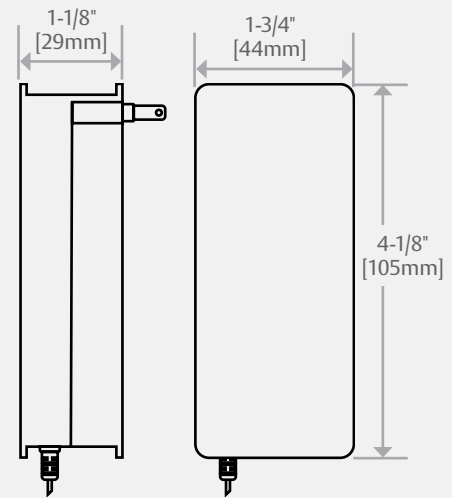
Standard Features

- 36 watts continuous output
- 6 ft. [1.8m] output cable included
- Folding, two-prong AC connector
- Input voltage 100 VAC to 240 VAC
- MagnaCare® lifetime replacement, no-fault, no questions asked warranty

Certifications

- UL listed

Dimensions



Part Number | Description

PSP-12-3	Power Supply Plug-In—Switching, Regulated, 12 VDC, 3A
PSP-24-1.5	Power Supply Plug-In—Switching, Regulated, 24 VDC, 1.5A

