

**SECURITRON®**

**ASSA ABLOY**



# **GATE and FENCE**

Solar Power Supplies  
Gate Locks  
Gate Lock Bracket Kits  
Specialty Brackets  
Power Supplies  
And More...

# About Securitron®

As the world's premier supplier of electric locking systems and access control components, Securitron excels in manufacturing a wide range of products, from electromagnetic locks and accessories, to exit bars and devices, power supplies, digital entry systems and much more. Securitron is known for its continued commitment to excellence in customer service and product quality.

## An Industry Leader.

Securitron was the first electric lock manufacturer to receive the prestigious ISO 9001 certification for its international Quality Management System. Securitron was also first in the industry with its "no strings attached" MagnaCare® warranty program.

The award-winning MagnaCare® warranty replaces any product that we manufacture, for any failure reason, for the life of the installation. The Security Industry Association recently honored Securitron's MagnaCare® warranty program with its Business Product Achievement Award.

## A Bright Future.

Backed by the strength of ASSA ABLOY, Securitron continues to grow. Our new, LEED Silver designed, eco-friendly manufacturing facility in Phoenix, AZ features improved energy efficiency, air quality and sustainability.

## Our Customers Come First.

At Securitron, we pay special attention to the needs of our customers. Our 1-800 MAGLOCK sales and service support line puts you in touch with our knowledgeable and friendly team to assist you with the smallest detail, or the most difficult application. For more information, visit [www.securitron.com](http://www.securitron.com).



### Securitron Magnalock Corp.

10027 S. 51<sup>st</sup> Street, Ste 102

Phoenix, AZ 85044

1.800.MAGLOCK

p 800.624.5625

p 623.582.4626

f 866.582.4641

[www.securitron.com](http://www.securitron.com)

# GL1 2000lbs Holding Force Gate Lock

## Electromechanical Gate Solution Offers One Ton of Holding Power

The heavy duty GL1 Electromechanical Gate Lock provides weather-resistant access control for a wide range of gate applications. The GL1 provides 2000lbs of holding force for electrical and manually operated indoor or outdoor gates where preload is a concern. Ideal for swinging or sliding vehicle, pedestrian, or stock gate access control. Use with the BPSS Solar Power Supply for remote outdoor locations.

### PRODUCT FEATURES

- 2000lbs holding force
- Operates under preload up to 100lbs
- Automatic dual voltage - no field adjustment required
- Field-selectable fail secure/fail safe
- Manual key override (right or left hand)
- Self-aligning receiver (+/- 1/2" horizontally) helps compensate for gate misalignment and sag
- Tamper resistant cast aluminum housing
- Latch status monitor switch (SPDT)
- Heavy wall 1/2" inside diameter threaded steel coupling
- Hardened steel latch and pin standard
- Surface mount
- MagnaCare Lifetime Replacement No Fault Warranty

### SPECIFICATIONS

Holding Force: 2000lbs [907 kg]

Patent Pending

Dimensions: 2-3/4"L x 7-1/4"W x 3-1/4"D

### ELECTRICAL

12 Volts Initial (Peak): (~1.0 sec.)  
@ 870mA - Reduced: 290mA Power  
Consumption: 3.5 Watts

24 Volts Initial (Peak): (~1.0 sec.)  
@ 720mA - Reduced: 170mA Power  
Consumption: 4.1 Watts

### OPERATING TEMPERATURE

-58 to +167F [-50 to +75C]

Indoor or outdoor use

### SHIPPING WEIGHT

6lbs [2.72 Kg]

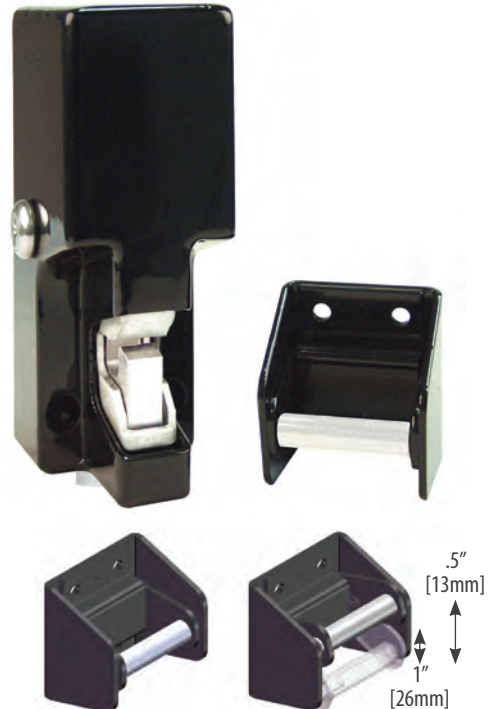
### FINISHES

Black Crinkle Powder Coated Finish

### MODELS

PART # | Description

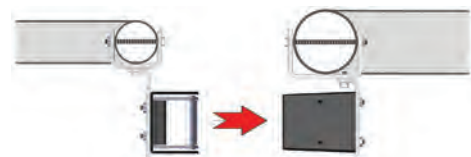
GL1 | Gatelock GL1 - 12/24VDC, Fail Locked or Safe, 2000lb



Self-Aligning Receiver



Typical Swinging Gate Application



Typical Sliding Gate Application



DUAL VOLTAGE

**ELECTROMECHANICAL GATE LOCK**

# M62FG-SASM 1200lbs Holding Force Gate Magnalock®

## The Low Maintenance Magnalock Solution for Outdoor Gates

The M62FG-SASM is the only heavy duty Magnalock specifically designed to secure and protect gates. This weatherproof unit delivers 1200lbs of holding force and comes equipped with conduit fittings and a special shock absorbing strike mount (SASM). This unique design dramatically prolongs the life of the lock, the gate and other hardware by controlling excessive impact between the strike plate and the magnet. The SASM is also available as a separate retrofit kit and is compatible with M32, M62 or M82 Magnalock strike plates for areas prone to excessive force closures or slamming.



### PRODUCT FEATURES

- SASM for shock absorption and rebound assistance for proper gate alignment
- Fully sealed and conformal coated for weatherproof operations
- Includes universal threaded conduit fitting 1/2" female - 3/4" male
- Sealed 10 ft. [3.05m] jacketed, stranded conductor cable
- Automatic dual voltage - no field adjustment required
- All ferrous metal surfaces plated for durability
- MagnaCare Lifetime Replacement No Fault Warranty

### PRODUCT OPTIONS

- Flexible bracket options for swinging or sliding applications

### SPECIFICATIONS

UL 10C Listed  
 CAN4-S104, CAN/ULC-S533 Listed  
 ANSI/UL 294 Listed  
 CSA-C22.2 No.205 Listed  
 ANSI/BHMA 156.23, Grade 1;  
 E08501-1000  
 NFPA 101  
 CSFM- California State Fire  
 Marshal Approved

MEA – City of New York Approved  
 CE:EN 50091-1, EN 61000-6-2  
 Approved  
 NEMA: 4X  
 IEC: IP66  
 Holding Force: 1200lbs [544 Kg]  
 Dimensions: 8" L x 1-3/4" D x 3" H

### ELECTRICAL

250mA at 12VDC, 125mA at 24VDC

### OPERATING TEMPERATURE

-40 to +140F [-40 to +60C]

Recommended for indoor or outdoor use

### SHIPPING WEIGHT

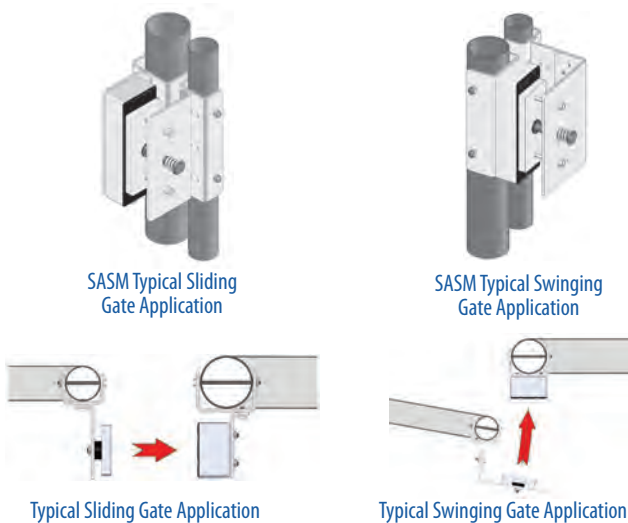
12lbs [5.44 Kg]

### FINISHES

US32D/630 - Satin Stainless Steel

### MODELS

MODEL	PART #   Description
M62FG	M62 - Face Drilled, Gate Conduit
M62FG-SASM	M62 - Face Drilled, Gate Conduit w/ SASM Bracket
M62FGB	M62 - Face Drilled, Conduit, MBS
M62FGBD	M62 - Face Drilled, Conduit, MBS, DPS
M62FGD	M62 - Face Drilled, DPS, Gate Conduit
SASM	Shock Absorbing Strike Mount for M32, M62, M82

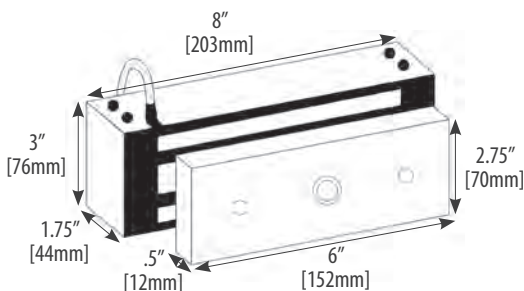


SASM Typical Sliding Gate Application

SASM Typical Swinging Gate Application

Typical Sliding Gate Application

Typical Swinging Gate Application



U.S. Patents: #4,516,114 and #4,682,801  
 Other Patents Pending  
 NEMA: 4X IEC: IP 66



# FMK Flex-Mount Gate Lock Bracket Kits

## Bracket Kits Extend Access Control to Gates and Fences

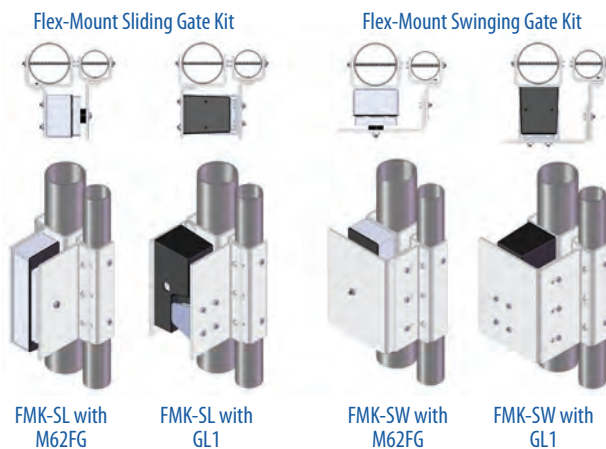
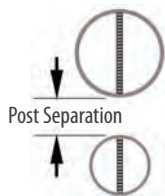
The FMK Flex-Mount Bracket System is an intuitive set of mounting brackets designed exclusively for use with the M62FG Magnalock® and the GL1 Gate Lock. Pre-formed post channels and plates of varying lengths make it easy for you to assemble a professional looking, high-security gate lock mounting platform in minutes, without special tools.

### PRODUCT FEATURES

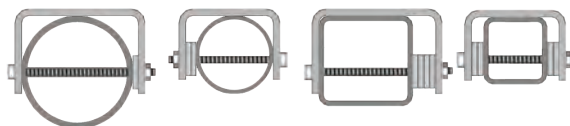
- Permits electronics to be mounted on fence posts or gate posts
- Brackets are reversible
- Bracket kits include brackets, mounting hardware and post shims
- Post brackets are pre-drilled
- Zinc-plated steel provides durability and long life
- Bolt on or weld for installation
- Compatible with maximum 3" round post with minimum pole separation of 1"
- Use with Post Shim Brackets for smaller post sizes
- MagnaCare Lifetime Replacement No Fault Warranty

### NOTES:

- M62FG can be direct mounted on square posts
- To use FMK-SL with M62FG-SASM, post separation should be 1" to 2-1/4"
- To use FMK-SW with M62FG or the GL1, post separation should be 1" to 2-3/4"
- To use FMK-SL with GL1 or M62FG, post separation should be 1" to 3-3/4"



Post Shim Brackets (FMB9-4) are used to adapt Small Post Mounting Bracket (FMB1) and Large Post Mounting Bracket (FMB2) to pole/post sizes smaller than 2" or 3" respectively in 1/8" increments - 1-7/8", 1-3/4", 1-5/8", 2-7/8", 2-3/4", 2-5/8", etc. They can also help with horizontal bracket/lock alignment. When more than two Post Shims are used together on a single post, welding the Post Bracket to the pole/post is always recommended. Four included with each kit.



MODELS	PART #   Description
FMB9-4	Post Shim Kit for Flex Mount Brackets - (Set of 4)
FMK-SL	Flex Mount Kit for Sliding Gate
FMK-SW	Flex Mount Kit for Swing Gate

## ZA Kits For GL1 & M62F Gate Locks

### PRODUCT FEATURES

- Use on in-swing doors with Magnalock "F" options (8.5" overall length)
- Includes an oversized dress cover
- Provides 1.25" of lateral movement to accommodate most openings and allows for precision adjustments (2-1/4" to 3-1/2" from door/header)

MODELS	PART #   Description
ZA-32/62BK	Adjustable Z-Bracket - M32/62, Black Anodized
ZA-32/62CL	Adjustable Z-Bracket - M32/62, Clear Anodized
ZA-32/62SS	Adjustable Z-Bracket - M32/62, Satin Stainless



### NOTE:

These Adjustable Z Bracket Kits will also function using M32F Series 600 lb. Magnalocks. M32 Series locks do not have the availability of a conduit fitting so alternative wiring methods will be required for proper "protection" of the lock's power cable.



# BPSS Boxed Power Supply - Solar

## Clean Power Meets Green Power with Securitron's BPSS Outdoor Solar Power Supply

The BPSS is the only out-of-the-box solution specifically designed for remote electric lock control where conventional power is impractical or not available. This complete solar power system powers most single-point access control devices and fail secure locks (intermittent duty only) by producing sustainable solar and battery operated power. Select the BPSS-10 or BPSS-20 (10 or 20 charging Watts respectively), based on solar activity in the area/region where you're installing.



BPSS NEMA-3R Wall Mount Cabinet with Solar Controller



BPSS-20W Solar Panel



BPSS-10W Solar Panel



BPSS Standard 2" Pole Mounting Kit



PMK-3 - Optional 3" Large Pole Mounting Kit



Included Solar Panel Mounting Kit



SWK- Optional Solar Panel High Wind Kit for 20W Panel

### PRODUCT FEATURES

- Works with most fail-secure electric locks
- Works with most keypads or card readers
- Available in 10W and 20W versions
- NEMA-3R Wall Mounted Cabinet
- 100% Solid State Solar Controller comes with anodized aluminum case and marine-rated terminals
- Low voltage battery monitor protects batteries from deep discharge
- High-efficiency photovoltaic panels use silicon nitride multicrystalline cells
- Green charging LED indicator
- Comes with mounting brackets for enclosure and solar panel
- Protected by SecuriCare 3-Year, No Fault Warranty
- Approved for use in hazardous locations - Class 1, Division 2, Groups A, B, C, D

### ENCLOSURE DIMENSIONS:

Outdoor (NEMA-3R): 12-1/2" x 13-5/8" x 4-7/16"

Standard Enclosure Brackets: Accommodates up to 2" diameter pole/post

Operating Temperature: -4 to +113F [-20 to +45C]

Dimensions: 2-3/4"L x 7-1/4"W x 3-1/4"D

### ELECTRICAL

Maximum 125mA continuous, 450mA maximum operating the locking device - intermittent duty only. Number of daily lock operations will vary due to solar activity and current draw

### OUTPUT VOLTAGE

14.4VDC Max

### SOLAR PANELS

	BPSS-10	BPSS-20
Size:	14.5" x 12.2" x .7"	22" x 14.2" x .7"
Rated Power:	10 Watts	20 Watts
Panel Weight:	3.3 lbs	5.5 lbs

### PANEL(S) OPERATING TEMPERATURE

-40 to +185F [-40 to +85C]

### MODELS

PART #	Description
BPSS-10	Solar Power Supply - 12V w/ 10W Solar Panel and 9Ah Battery
BPSS-20	Solar Power Supply - 12V w/ 20W Solar Panel and 18Ah Battery
PMK-3	Mounting Kit 3 in Pole for CCM Nema Enclosure
SPK	Solar Panel Kit - 20 Watt
SWK	High Wind Kit for 20W Solar Panel

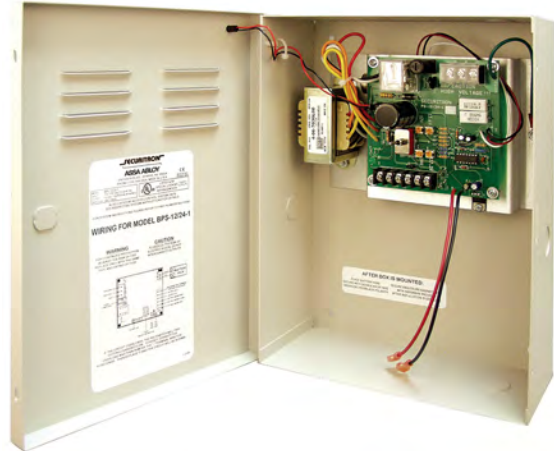
# BPS-12/24-1 Dual Voltage Boxed Power Supply

## Dual-Voltage Linear Power for Sensitive Electronics

The BPS series of power supplies delivers linear technology recommended by most manufacturers of sensitive electronic access control and security components. Safe for use with readers, electric strikes, and maglocks, these units interface to fire alarm systems and provide battery backup. The BPS-12/24-1 is UL Class 2 listed, allowing for wire runs without the use of conduit from power supply to door.

### PRODUCT FEATURES

- Dual output, field selectable 12 or 24VDC via clearly marked toggle switch
- Supplies 1 full Amp continuous current output, even while charging back-up batteries
- Linear regulated power supply provides the cleanest power available
- UL Class 2 power limited output
- SPDT AC monitoring output allows for remote monitoring of the power supply's 110VAC input
- External LED indicator (AC and DC) easily determines power status
- UL Listed, low-current fire alarm disconnect requires only a minimum size fire alarm relay and wire gauge
- Polyswitch 2A breaker allows for large short duration inrush current if batteries are installed (approx. 20A for 1 second)
- Line voltage and DC fuses
- Sealed lead acid-gel battery charging capability (battery sold separately)
- MagnaCare Lifetime Replacement No Fault Warranty



### ELECTRICAL

12V/24V selector switch  
Input Voltage: 120VAC

Output Current: 1 Amp at 12VDC  
or 24VDC

### DIMENSIONS

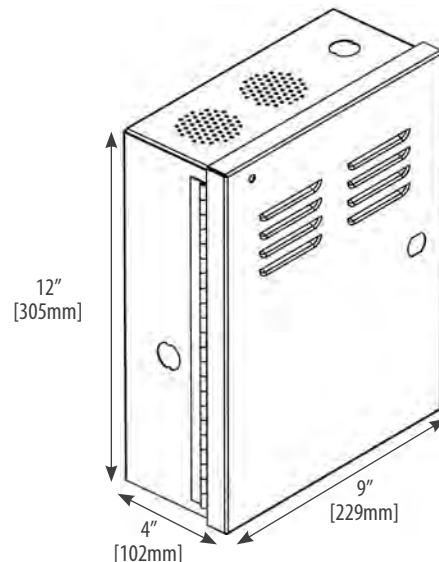
9" L x 12" H x 4" D

### OPERATING TEMPERATURE

+32 to +105F [0 to +40C]

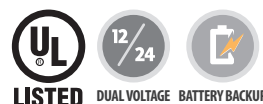
### SHIPPING WEIGHT

9lbs. [4.08 Kg.]



» MODELS	PART #	Description
BPS-12/24-1		Dual Voltage Power Supply - 12/24VDC, 1AMP

BPS - Underwriter's Laboratories: File SA6635 Vol. 2 & BP7041 (UL 294, UL 1034 & NFPA 101) Class 2  
BPS - California State Fire Marshal: 3774-0923;102;:103  
BPS - City of New York MEA: 251-95E & 254-95E



POWER SUPPLIES

# DK-26 Digital Keypad

## Digital Control System for Narrow Stile Applications

The DK-26 digital keypad system provides medium/high security control of electric locks in one or two door applications where doors have the same control needs. The fully weatherproof, rugged stainless steel keypad can be mounted in most outdoor environments. Encased in a separate enclosure for secure installation, the full-featured, easy to program, DK-26 is ideal for narrow stile applications.



### PRODUCT FEATURES

- Cast stainless steel with 11 EPDM rubber keys
- Weatherproof and vandal resistant
- 12V or 24V/ AC or DC current
- Mounts on a narrow mullion
- Audible keystroke echo
- True 10 digit operation (keys are not paired)
- 59 users with multiple entry codes
- Expansion board adds users, real time calendar, more relays and outputs
- User code and hard code disable feature
- Passage Mode and Lockout Mode
- 5 Amp DPDT relay
- Request-to-exit (REX) input
- 16 ft. [4.8m], 12 conductor, 22 gauge keypad cable
- 3 LEDs and a bell button
- Indoor or Outdoor use
- MagnaCare Lifetime Replacement No Fault Warranty

### PRODUCT OPTIONS

- "W" indicates Wiegand output
- Expansion board for up to 119 users
- Spy Shield
- Cover plate
- Keypad available as system or separately

### SPECIFICATIONS

CE: EN 50091-1, EN 61000-6-2 Approved

### ELECTRICAL

7mA at rest; 160mA active at 12VAC or 12VDC

20mA at rest; 190mA active at 24VAC or 24VDC

### OPERATING TEMPERATURE

CPU +32 to +158F [0 to +70C]

Keypad -22 to +158F [-30 to +70C]

### SHIPPING WEIGHT

5lbs. [2.27 Kg.]

### FINISHES

US32D/630 – Satin Stainless Steel

BK – Black

### DIMENSIONS

Keypad  
1-1/2"W x 7" H x 7/8"D

Enclosure  
6"W x 8" H x 3"D

### MODELS

PART #	Description
DK-26BK	Digital Keypad System - Narrow Stile, Black Anodized
DK-26BKXB	DK-26 w/ Expansion Board - Narrow Stile, Black Anodized
DK-26PBK	Digital Keypad Pad - Narrow Stile, Black Anodized
DK-26PSS	Digital Keypad Pad - Narrow Stile, Stainless Steel
DK-26SS	Digital Keypad System - Narrow Stile, Satin Stainless
DK-26SSXB	Digital Keypad System - Narrow Stile w/ Expansion, Satin Stainless
DK-26WBK	Digital Keypad System - Wiegand, Narrow Stile, Black Anodized
DK-26WSS	Digital Keypad System - Wiegand, Narrow Stile, Satin Stainless

CE: EN 50081-1 & EN 61000-6-2



# TM-9 Time Mate Timer

The compact TM-9 extends the hold-open request of a pushbutton or keyswitch, enabling single-hand operation of the door or delaying re-arming of alarms.

## PRODUCT FEATURES

- Miniature timer extends momentary switches
- Fits in outlet boxes with push buttons or keyswitches
- 3 Amp SPDT relay energizes for 2 to 36 seconds
- Time setting is selected by easy to configure DIP switches
- Applications include releasing electric locks and shunting alarm contacts

## ELECTRICAL

12 or 24VDC or 24VAC

## OPERATING TEMPERATURE

+32 to +158F [0 to +70C]

MODELS	PART #	Description
TM-9		Time Mate



# DT-7 Prime Time Digital Timer

Control doors equipped with electrified hardware - with or without access control - with the DT-7 digital timer. The DT-7 can be used as a stand-alone unit, or in conjunction with Digital Keypads and other products. Versatile programming supports timed unlocked/locked/or access-control-only states to turn electric locks or other security systems on and off at programmed times.

## PRODUCT FEATURES

- 7-day digital timer
- 10 Amp DPDT relay can be operated in toggle or pulse mode
- 12 programmed on/off times
- Set daily (6 on, 6 off), on selected days, or on blocks of days
- "First Man In" feature delays preset action until first access
- Supports holiday programming
- 12 or 24VAC or VDC
- AA battery provides backup to the display module program memory - battery not included

## ELECTRICAL

170mA at 12V or 24 V (VAC or VDC)

## OPERATING TEMPERATURE

+32 to +113F [0 to +45C]

## SHIPPING WEIGHT

.75 lbs.

MODELS	PART #	Description
DT-7		Prime Time Digital Timer



# PB Push Buttons

## Securiton® Quality with a Wide Range of Options for Size, Color and Function

High-quality Securiton Push Buttons are available in a broad selection of colors, sizes, switch types and outputs. With a wide range of options for interchangeable lenses and field convertible outputs, Securiton push buttons can release any maglock, alone or in conjunction with door closers and other hardware.



### PRODUCT FEATURES

- 7 Amp rated contacts
- Includes interchangeable green and red lenses
- Red LED on plate
- Stainless Steel single gang plate: 4.5" x 2.75" [114mm x 70mm]
- UL outdoor rated

#### NOTE:

Includes switchable green and red buttons.

## B-12-5, B-24-5 Lead Acid Batteries

Lead Acid Batteries provide 5 Amp Hours of battery back up when used with BPS power supplies, ensuring continued operation of access control devices when the AC source power is compromised.



#### NOTE:

Securiton batteries are not covered under the MagnaCare Warranty.

» MODELS		PART #	Description
B-12-5	Battery - 12VDC, 5AMP		
B-24-5	Battery - 24VDC, 5AMP		

# MagnaCare® Warranty

SECURITRON MAGNALOCK CORPORATION warrants that it will replace at customer's request, at any time for any reason, products manufactured and branded by SECURITRON since January 1, 1999. SECURITRON will use its best efforts to ship a replacement product by next day air freight at no cost to the customer within 24 hours of SECURITRON's receipt of the product from customer. If the customer has an account with SECURITRON or a valid credit card, the customer may order an advance replacement product, whereby SECURITRON will charge the customer's account for the price of the product plus next day air freight, and will credit back to the customer the full amount of the charge, including outbound freight, upon SECURITRON's receipt of the original product from the customer. SECURITRON's sole and exclusive liability, and customer's sole remedy, is limited to the replacement of the SECURITRON product when delivered to SECURITRON's facility (freight and insurance charges prepaid by customer). The replacement, at SECURITRON's sole option, may be the identical item or a newer unit which serves as a functional replacement. In the event that the

product type has become obsolete in SECURITRON's product line, this MAGNACARE warranty will not apply. This MAGNACARE warranty also does not apply to custom, built to order, or non-catalog items, items made by others (such as batteries), returns for payment, distributor stock reductions, returns seeking replacement with anything other than the identical product, or products installed outside of the United States or Canada. This MAGNACARE warranty also does not apply to removal or installation costs. SECURITRON will not be liable to the purchaser, the customer or anyone else for incidental or consequential damages arising from any defect in, or malfunction of, its products. SECURITRON does not assume any responsibility for damage or injury to person or property due to improper care, storage, handling, abuse, misuse, or an act of God. EXCEPT AS STATED ABOVE, SECURITRON MAKES NO WARRANTIES, EITHER EXPRESS OR IMPLIED, AS TO ANY MATTER WHATSOEVER, INCLUDING WITHOUT LIMITATION THE CONDITION OF ITS PRODUCTS, THEIR MERCHANTABILITY OR FITNESS FOR ANY PARTICULAR PURPOSE.

# SecuriCare Warranty

SECURITRON MAGNALOCK CORPORATION warrants that it will repair or replace at customer's request, at any time for any reason, products manufactured and branded by SECURITRON and warrantied by SECURICARE since June 1, 2009, for a period of three (3) years from the original purchase date. SECURITRON will use its best efforts to ship a replacement product by next day air freight at no cost to the customer within 24 hours of SECURITRON's receipt of the product from customer. If the customer has an account with SECURITRON or a valid credit card, the customer may order an advance replacement product, whereby SECURITRON will charge the customer's account for the price of the product plus next day air freight, and will credit back to the customer the full amount of the charge, including outbound freight, upon SECURITRON's receipt of the original product from the customer. SECURITRON's sole and exclusive liability, and customer's sole remedy, is limited to the replacement of the SECURITRON product when delivered to SECURITRON's facility (freight and insurance charges prepaid by customer). The replacement, at SECURITRON's sole option, may be the identical item or a newer unit which serves as a functional replacement. In the event that the

product type has become obsolete in SECURITRON's product line, this SECURICARE warranty will not apply. This SECURICARE warranty also does not apply to custom, built to order, or non-catalog items, items made by others (such as batteries), returns for payment, distributor stock reductions, returns seeking replacement with anything other than the identical product, or products installed outside of the United States or Canada. This SECURICARE warranty also does not apply to removal or installation costs. SECURITRON will not be liable to the purchaser, the customer or anyone else for incidental or consequential damages arising from any defect in, or malfunction of, its products. SECURITRON does not assume any responsibility for damage or injury to person or property due to improper care, storage, handling, abuse, misuse, or an act of God. EXCEPT AS STATED ABOVE, SECURITRON MAKES NO WARRANTIES, EITHER EXPRESS OR IMPLIED, AS TO ANY MATTER WHATSOEVER, INCLUDING WITHOUT LIMITATION THE CONDITION OF ITS PRODUCTS, THEIR MERCHANTABILITY OR FITNESS FOR ANY PARTICULAR PURPOSE.



**WARRANTY INFORMATION**

© 2013 Securitron Magnalock Corp.  
*Securitron, Magnalock, MagnaCare* and  
*SecuriCare* are ® registered trademarks of  
Securitron Magnalock Corporation.

**Securitron Magnalock Corp.**

10027 S. 51<sup>st</sup> Street, Ste 102

Phoenix, AZ 85044

1.800.MAGLOCK

**p** 800.624.5625

**p** 623.582.4626

**f** 866.582.4641

[www.securitron.com](http://www.securitron.com)

ASSA ABLOY, the global leader  
in door opening solutions