

# Door Position Switches (DPS)

(For Wood or Metal Door Applications)

Used to monitor the status of a door or to provide an initiate signal to Securitron's XDT Series Exit Delay Timers.

## DPS-W

Concealed Door Position Switch for Wood Doors

Both components require drilling a 3/4" (19mm) diameter hole in the door and frame directly opposite one another. The DPS-W is a Normally Closed switch (SPST). The distance depends on the door type and gap between the door and frame but is in the 1/2"-3/4" range (12-18mm). Includes a magnetic switch and a cylindrical permanent magnet.

## DPS-M

Concealed Door Position Switch for Metal doors

Both components require drilling a 3/4" (19mm) diameter hole in the door and frame directly opposite one another. The large magnet is needed to overcome the shielding effect of a steel door. The DPS-M is a Normally Closed switch (SPST). The distance depends on the door type and gap between the door and frame but is in the 1/2"-3/4" range (12-18mm). Includes a magnetic switch and a cylindrical permanent magnet.

## J-1055-04F

Concealed Door Position Switch for Wood doors

This is an economical and versatile door contact that fits into the smallest spaces. The J-1055-04F should be used on wood doors as the proximity of ferrous materials usually reduces sensing range – typically by 50%. Both components require drilling 1/4" diameter hole in the door and frame directly opposite one another. The J-1055-04F is a Normally Closed switch (SPST) but has a hard wire that can be soldered to obtain a Normally Open contact (SPDT).

Operating Temperature: -40 to +150F [-40 to +65C]

Switching Current AC/DC (max): 0.4A - 0.5A



Available DPS Colors

## How To Order

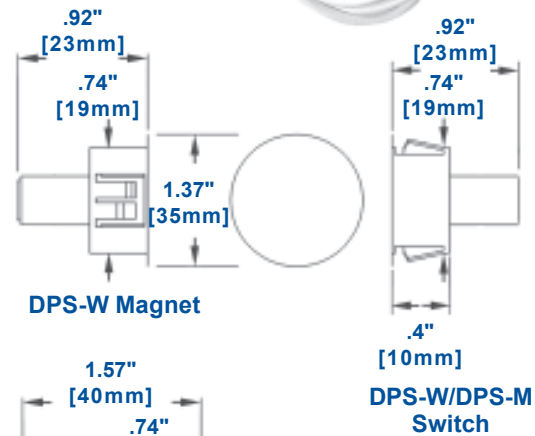
DPS-W-BK	Door Position Switch - Wood Door, Black
DPS-W-GY	Door Position Switch - Wood Door, Gray
DPS-W-WH	Door Position Switch - Wood Door, White
DPS-M- BK	Door Position Switch - Metal Door, Black
DPS-M- GY	Door Position Switch - Metal Door, Gray
DPS-M- WH	Door Position Switch - Metal Door, White
J-1055-04F	Economy Door Position Switch - Wood Door



DPS-W

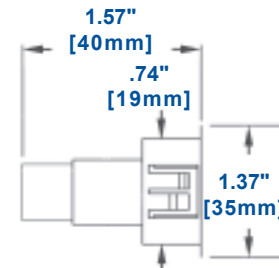


DPS-M



DPS-W Magnet

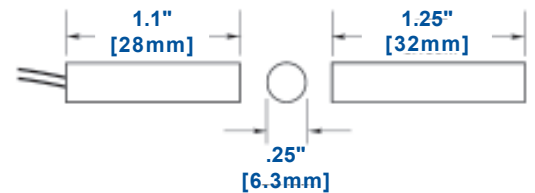
DPS-W/DPS-M Switch



DPS-M Magnet



J-1055-04F



1-800-MAGLOCK

ASSA ABLOY, the global leader  
in door opening solutions

