

ASSA ABLOY
Opening Solutions

Experience a safer
and more open world

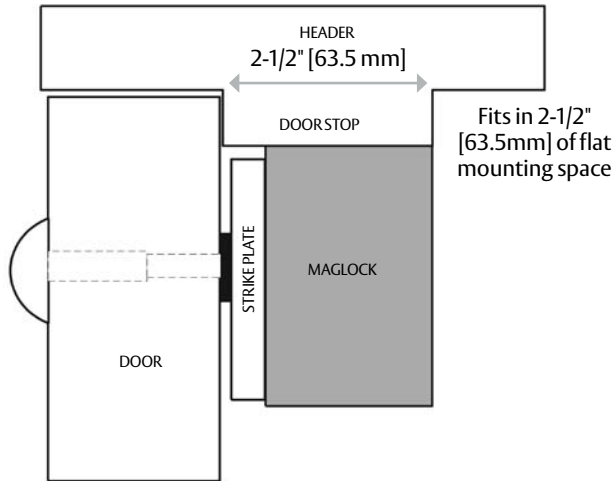
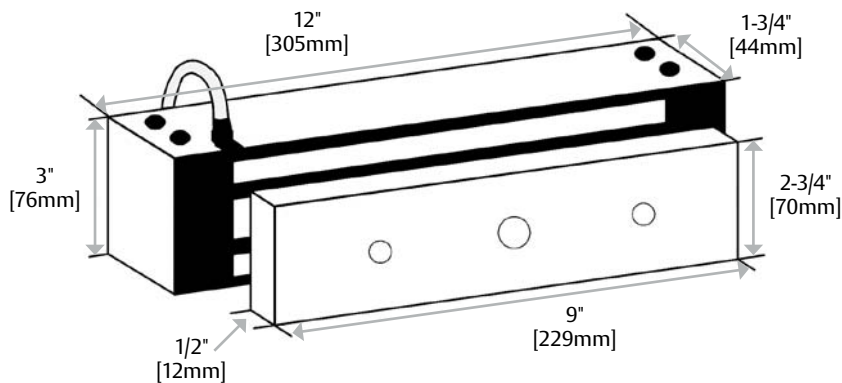
Electronic Security Hardware

HES | Securitron Product Catalog



Securitron M82 Magnalock

Dimensions



Specifications

Certifications

- UL 10C Listed
- CAN4-S104, CAN/ULC-S533 Listed
- ANSI/UL 294 Listed
- ANSI/BHMA A156.23, Grade 1; E08501-1500 Compliant
- CSFM—California State Fire Marshal Approved
- CE:EN 50081-1(92), EN 61000-6-2(99) Approved

Electrical

- 350 mA at 12 VDC
- 200 mA at 24 VDC

Holding Force

- 1,800 lbs [816kg]

Operating Temperature

- -40° to 140°F [-40° to 60°C]
- Indoor or Outdoor use

Shipping Weight

- 16 lbs [7.26kg]

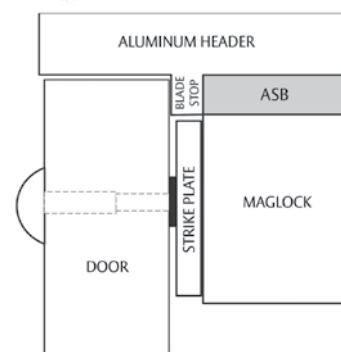
How to Order

Model Series	Mounting Method	Monitoring Options	Strike Plate Options
M82	FG	BD	– OS
M82 1,800 lbs	(blank) Direct Mount	B BondSTAT Monitor	(blank) Standard Strike
	F Face Drilled	BD BondSTAT and DPS	OS Offset Strike
	G Gate Conduit		SS Split Strike
			SASM Shock Absorbing Strike Mount

Securitron[®] M32, M62, M82 MagnaLock[®] Accessories

ASB Aluminum Spacer Bracket

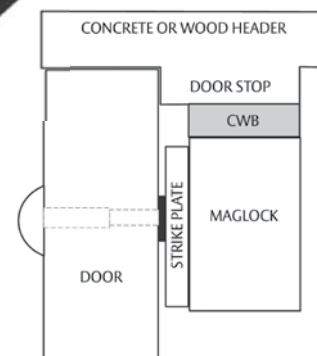
- Use when a blade stop requires the Magnalock to be lowered
- Comes pre-drilled for the mounting bolts and wire
- Provides a blind nut for surface installation of strike
- Available in clear aluminum or black anodized
- MagnaCare[®] lifetime replacement, no-fault, no questions asked warranty



Part Number	Description	Finish
ASB-32BK	Aluminum Frame Spacer Bracket – M32	Black Anodized
ASB-32CL	Aluminum Frame Spacer Bracket – M32	Clear Anodized
ASB-62BK	Aluminum Frame Spacer Bracket – M62	Black Anodized
ASB-62CL	Aluminum Frame Spacer Bracket – M62	Clear Anodized
ASB-82BK2	Aluminum Frame Spacer Bracket – M82	Black Anodized
ASB-82CL	Aluminum Frame Spacer Bracket – M82	Clear Anodized
ASCWB-DM62CL	Aluminum 1-1/2" [38.1mm] Spacer – Concrete/Wood Bracket, DM62	Clear

CWB Concrete Wood Bracket

- Used on wood or concrete filled metal frames
- Provides a concealed wire chamber
- Available in clear aluminum or black anodized
- MagnaCare[®] lifetime replacement, no-fault, no questions asked warranty



Part Number	Description	Finish
CWB-32BK	Concrete/Wood Bracket – M32	Black Anodized
CWB-32CL	Concrete/Wood Bracket – M32	Clear Anodized
CWB-62BK	Concrete/Wood Bracket – M62	Black Anodized
CWB-62CL	Concrete/Wood Bracket – M62	Clear Anodized
CWB-82BK	Concrete/Wood Bracket – M82	Black Anodized
CWB-82CL	Concrete/Wood Bracket – M82	Clear Anodized

