

# STI Polycarbonate Enclosure



STI-7500A



STI-7511D

## PRODUCT OVERVIEW

Multipurpose lockable enclosure for a wide range of larger size devices, components and instruments, such as keypads, annunciators and automated external defibrillators (AEDs) which require protection from vandalism, accidental damage, as well as the elements, such as dirt and grime. Spacers, integrated hinge and covers are formed from tough polycarbonate material. The polycarbonate enclosures are backed by a three year guarantee against breakage and damage in normal use. STI enclosure is lockable with either a key or thumb lock.

## FEATURES

- Protection for large units against physical damage, grime and severe environments.
- Key or thumb lock available.
- Mounting hardware and gaskets are included.
- Fast and easy installation.
- Can be used over volume or lighting controls.
- 94V-2 flammability rating.
- Cover, integrated hinge and spacers are formed from tough polycarbonate material.
- Each protected unit can be clearly seen and quickly identified.
- Typical working properties of polycarbonate are -40° to 250°F (-40° to 121°C).
- Three year guarantee against breakage of polycarbonate in normal use.

# STI Polycarbonate Enclosure

Dimensions and Technical Information

## BUILD YOUR MODEL STI-75

**0 = Internal Lock**      **1 = External Lock**

**0 = Key Lock**      **1 = Thumb Lock**

**ENCLOSED BACK BOX**  
**A** = Enclosed deep back box  
**B** = Enclosed back box with double-gang electrical box  
**F** = Enclosed back box

**OPEN BACK BOX**  
**C** = Open back box for flush mount applications  
**D** = Open conduit back box, surface mount applications  
**E** = Open back box for flush mount applications

## APPROVALS & WARRANTY

### TESTING

The STI-7500 series only has been tested and approved or listed by:  
 · UL/cUL Listed No. S7255

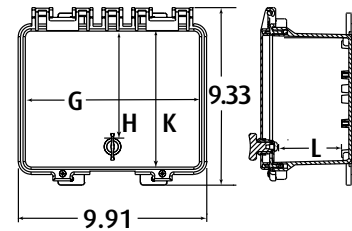
### WARRANTY

Three year guarantee against breakage of polycarbonate in normal use.

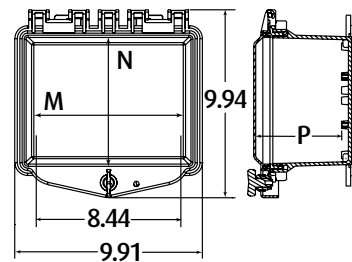
### NOTICE

STI recommends replacement of gaskets every five years for outdoor applications.

STI-7500/7501	
B	G H K L
A	8.48 5.40 6.48 3.40
C	8.50 5.40 5.50 0.55
K	7.81 4.80 5.25 1.76
B	7.73 5.40 5.70 2.79
O	7.70 5.40 5.71 1.01
X	8.30 4.80 5.63 1.60



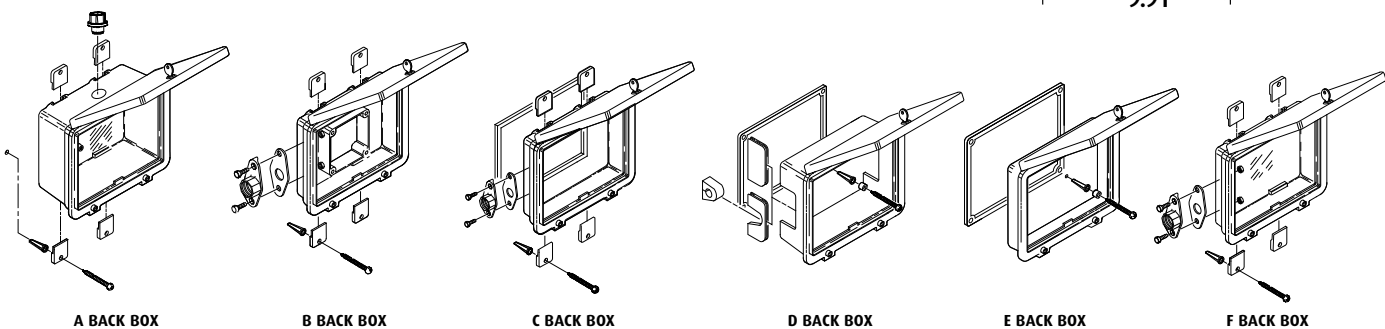
STI-7510/7511	
B	M N P
A	8.48 6.48 4.59
C	8.50 5.50 1.74
K	7.81 5.25 2.95
B	7.73 5.70 3.98
O	7.70 5.71 2.20
X	8.30 5.63 2.79



### Accessories

- 18021 NEMA 4X** 3/4" rigid conduit hub for "A" back box  
**18254** Replacement key #CH751  
**SUB-318** Adapter plate used for mounting "A", "B" or "F" back box to pedestal  
**SUB-6297B20** 3/4" conduit hub for "B", "C" and "F" back boxes  
**STI-1283** Backplate

**NOTE:** Below pictures illustrate back box differences.



**Safety Technology International, Inc.**

2306 Airport Road  
 Waterford, Michigan  
 48327, USA

Tel: 248-673-9898  
 Fax: 248-673-1246  
 Toll-free: 800-888-4784  
 info@sti-usa.com  
 www.sti-usa.com

Unit 49G Pipers Road  
 Park Farm Industrial Estate  
 Redditch, Worcestershire  
 B98 0HU England

Tel: 44 (0) 1527 520 999  
 Fax: 44 (0) 1527 501 999  
 Free: 0800 085 1678 (UK)  
 www.sti-europe.com