

STI Polycarbonate Enclosure



STI-7500A



STI-7511D

PRODUCT OVERVIEW

Multipurpose lockable enclosure for a wide range of larger size devices, components and instruments, such as keypads, annunciators and automated external defibrillators (AEDs) which require protection from vandalism, accidental damage, as well as the elements, such as dirt and grime. Spacers, integrated hinge and covers are formed from tough polycarbonate material. The polycarbonate enclosures are backed by a three year guarantee against breakage and damage in normal use. STI enclosure is lockable with either a key or thumb lock.

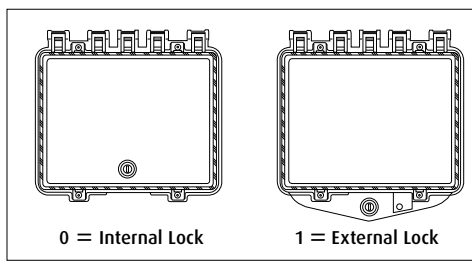
FEATURES

- Protection for large units against physical damage, grime and severe environments.
- Key or thumb lock available.
- Mounting hardware and gaskets are included.
- Fast and easy installation.
- Can be used over volume or lighting controls.
- 94V-2 flammability rating.
- Cover, integrated hinge and spacers are formed from tough polycarbonate material.
- Each protected unit can be clearly seen and quickly identified.
- Typical working properties of polycarbonate are -40° to 250°F (-40° to 121°C).
- Three year guarantee against breakage of polycarbonate in normal use.

STI Polycarbonate Enclosure

Dimensions and Technical Information

BUILD YOUR MODEL STI-75



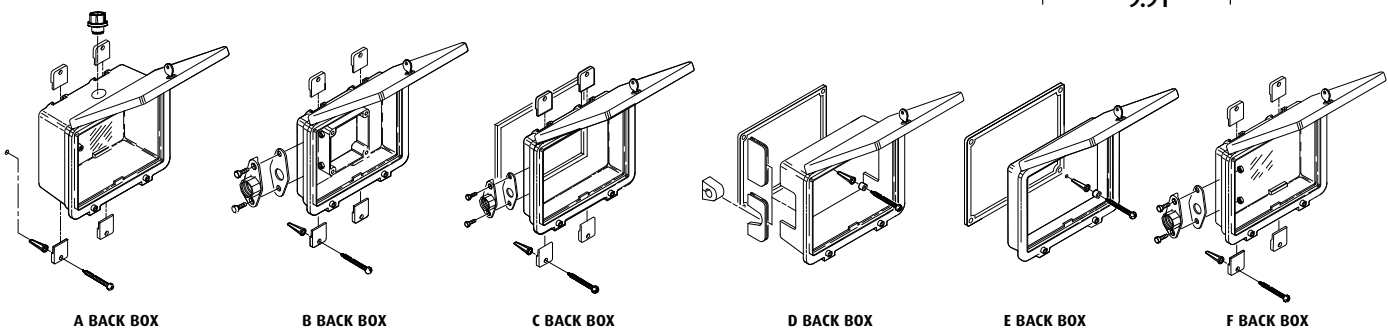
ENCLOSED BACK BOX
A = Enclosed deep back box
B = Enclosed back box with double-gang electrical box
F = Enclosed back box

OPEN BACK BOX
C = Open back box for flush mount applications
D = Open conduit back box, surface mount applications
E = Open back box for flush mount applications

Accessories

- 18021 NEMA 4X** 3/4" rigid conduit hub for "A" back box
- 18254** Replacement key #CH751
- SUB-318** Adapter plate used for mounting "A", "B" or "F" back box to pedestal
- SUB-6297B20** 3/4" conduit hub for "B", "C" and "F" back boxes
- STI-1283** Backplate

NOTE: Below pictures illustrate back box differences.



APPROVALS & WARRANTY

TESTING

The STI-7500 series only has been tested and approved or listed by:
 · UL/cUL Listed No. S7255

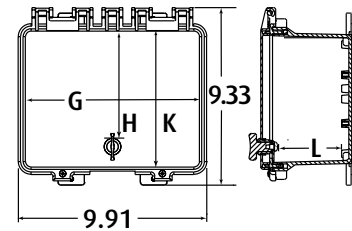
WARRANTY

Three year guarantee against breakage of polycarbonate in normal use.

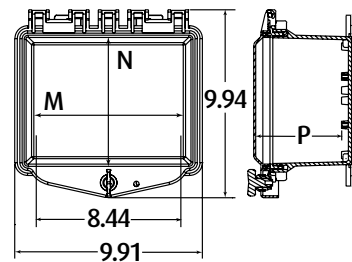
NOTICE

STI recommends replacement of gaskets every five years for outdoor applications.

		STI-7500/7501			
		G	H	K	L
BOX	A	8.48	5.40	6.48	3.40
	C	8.50	5.40	5.50	0.55
	K	7.81	4.80	5.25	1.76
	D	7.73	5.40	5.70	2.79
BOX	E	7.70	5.40	5.71	1.01
	F	8.30	4.80	5.63	1.60



		STI-7510/7511		
		M	N	P
BOX	A	8.48	6.48	4.59
	C	8.50	5.50	1.74
	K	7.81	5.25	2.95
	D	7.73	5.70	3.98
BOX	E	7.70	5.71	2.20
	F	8.30	5.63	2.79



Safety Technology International, Inc.

2306 Airport Road
 Waterford, Michigan
 48327, USA

Tel: 248-673-9898
 Fax: 248-673-1246
 Toll-free: 800-888-4784
 info@sti-usa.com
 www.sti-usa.com

Unit 49G Pipers Road
 Park Farm Industrial Estate
 Redditch, Worcestershire
 B98 0HU England

Tel: 44 (0) 1527 520 999
 Fax: 44 (0) 1527 501 999
 Free: 0800 085 1678 (UK)
 www.sti-europe.com