

# STI Stopper<sup>®</sup> Station Shield



STI-6517



## PRODUCT OVERVIEW

This inexpensive and highly durable cover was invented to mount directly onto the Stopper<sup>®</sup> Station series of buttons. With two tabs that snap into the Stopper Station, the cover easily mounts over the push button. It takes hard knocks in stride while protecting the button against vandalism, damage or accidental activation.

## BACKED BY A THREE YEAR GUARANTEE

As all STI protective covers, this Stopper Station Shield is backed by a three year guarantee against breakage in normal use. It is also highly cost effective and easy to install.

## FEATURES

- Cover is molded from thick, tough polycarbonate material.
- Protects against vandalism, damage and accidental activation.
- Cover specifically designed to fit STI Stopper Stations with notched mounting slots (see reverse).
- Ideal for use when space is limited.
- Tabs snap into Stopper Station shell allowing for fast and easy installation.
- Cover is UV-stabilized.
- Polycarbonate rated -40° to 120°F (-40° to 49°C).
- Raised molded "LIFT HERE".
- STI-6517A has a selectable 65 or 85 dB alert when lifted.
- STI-6517B is wireless and has a selectable 65 or 85 dB alert when lifted.
- Standard French and Spanish label available.
- Three year guarantee against breakage of polycarbonate in normal use (one year on electro mechanical and electronic components).

# STI Stopper® Station Shield

Dimensions and Technical Information

## MODEL AVAILABLE

- STI-6517 Stopper Station Shield
- STI-6517A Stopper Station Shield with sound
- STI-6517B\* Wireless Stopper Station Shield with sound
- STI-6517/FRE Shield with "LEVEZ ICI"
- STI-6517/SPA Shield with "LEVANTE AQUI"

**NOTE:** Special order. Please contact STI sales for ordering information.

\*Requires STI-34104 4-Channel Receiver, STI-V34104 4-Channel Voice Receiver or STI-34108 8-Channel Receiver.

## APPROVALS & WARRANTY

### TESTING

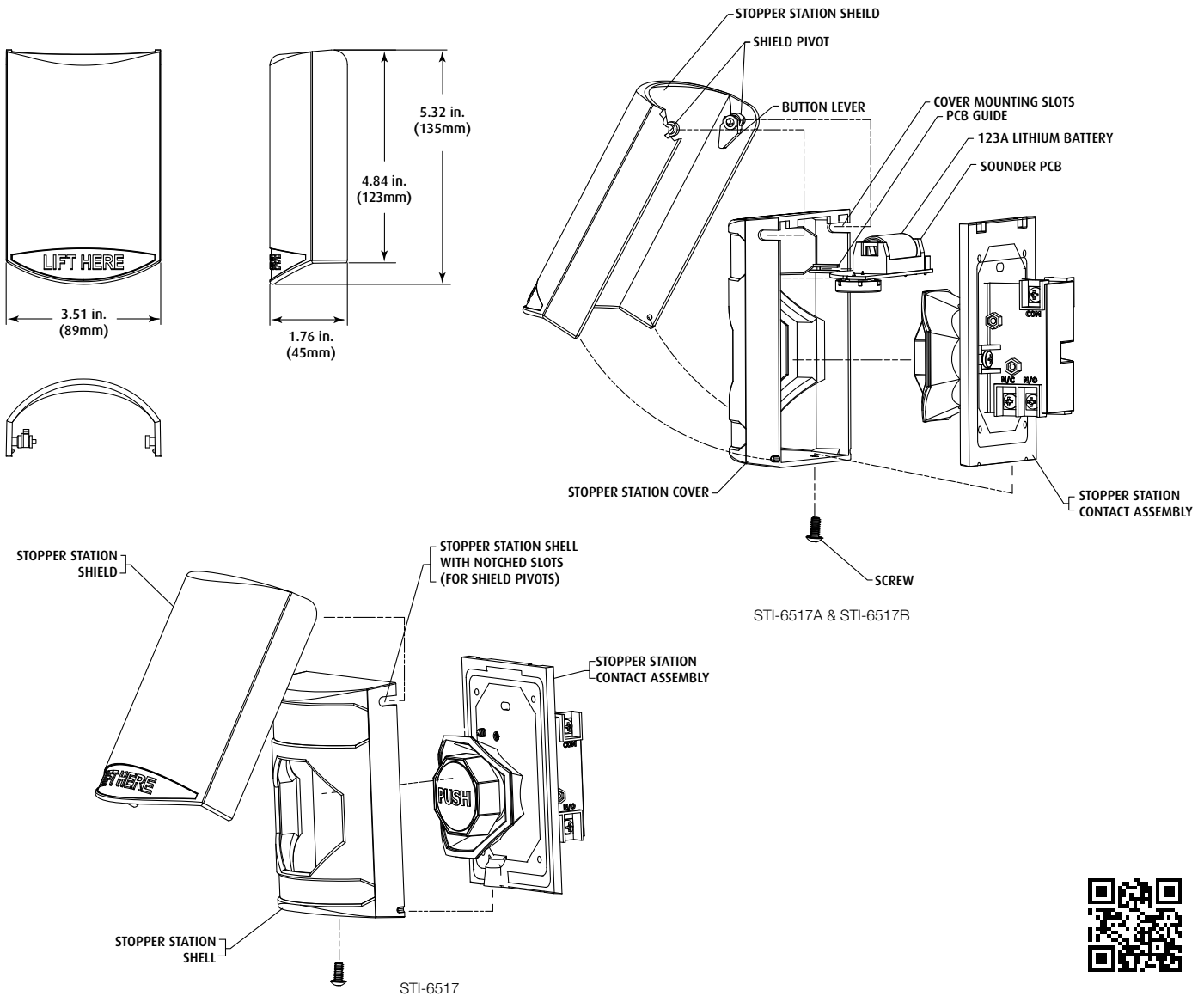
- UL and cUL S7255

### STI-6517B

- FCC & IC Compliant

### WARRANTY

Three year guarantee against breakage of polycarbonate in normal use.



**Safety Technology International, Inc.**

2306 Airport Road  
Waterford, Michigan  
48327, USA

Tel: 248-673-9898  
Fax: 248-673-1246  
Toll-free: 800-888-4784  
info@sti-usa.com  
www.sti-usa.com

Unit 49G Pipers Road  
Park Farm Industrial Estate  
Redditch, Worcestershire  
B98 0HU England

Tel: 44 (0) 1527 520 999  
Fax: 44 (0) 1527 501 999  
Free: 0800 085 1678 (UK)  
www.sti-europe.com