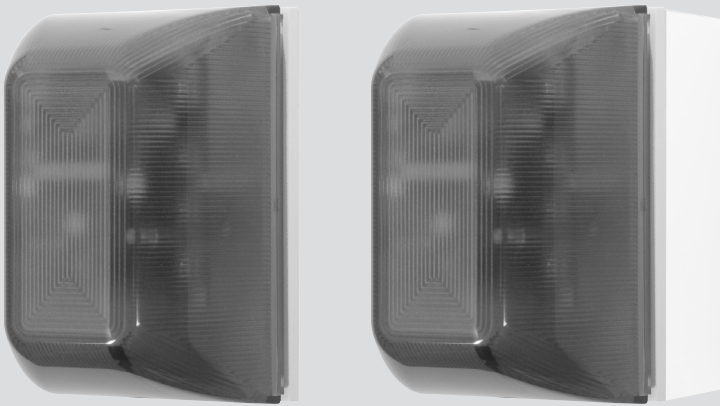




**Safety Technology
International**

Select-Alert Alarm Mini Controller

STI-SA5000 SERIES



Features

- Use as a cabinet alarm, door alarm, link with push button/switch or as a burglar alarm.
- Independent strobe and siren timing of 15 seconds, 30 seconds, 60 seconds or continuous.
- Durable, polycarbonate construction.
- Includes ten high intensity LEDs.
- Siren offers 32 user selectable tones.
- Choose piercing 100 or 85 dB alarm.
- For indoor use only.
- Available with amber, green, blue, red or white lens.
- Includes a tamper switch which triggers the alarm when unit is being removed from a wall.
- Low battery indicator.
- Powered by a 9 VDC battery (not included) or external 12 – 24 volts.
- One Form “C” dry relay contact output.

We protect the things that protect you.®

CONTENTS

Warnings and Cautions	page 3
Warranty Information.....	page 3
Dimensions	page 3
Specifications	page 4
Electronic Setup.....	page 4
Alarm Tones	page 5
Alarm Timing and Volume	page 5
Terminal Strip Connections	page 6
Mounting Options.....	page 6
Electronics.....	page 8

SELECT-ALERT ASSEMBLY PARTS LIST

1 - 05000	Electronics Assembly
1 - 05050	Color Lens
4	Screw #6 x 5/8 in.
4	Screw #8-32 x 3/8 in.
2	Screw #6 x 1 1/4 in.
2	Anchor #8-10
2	Screw #6-32 x 1 1/2 in.
1	#8-32 x 1/2 in. tamper screw
1 - 19016	Tamper wrench

ACCESSORIES

KIT-71100A-W	Backbox kit
KIT-E18151	N.C. reed switch and magnet
KIT-SA505	Key switch mounting bracket (includes key switch & 2 keys)
EBAT-9VDC	9 volt battery
KIT-H18075	Additional replacement key

WARNINGS

All units are recommended for indoor use. Unit must be tested periodically to verify the life of battery. STI recommends you change the 9 Volt battery twice a year. When purchasing a Select-Alert, you will need to periodically test the connections to make sure audibles function at a sound level to alert staff. Installer may need to purchase a simple audio-meter, typically available at your local electronics store, to measure the sound in areas where the alarm is expected to be heard during normal noise environment. Results from this test may prove it beneficial to purchase additional Select-Alert units.

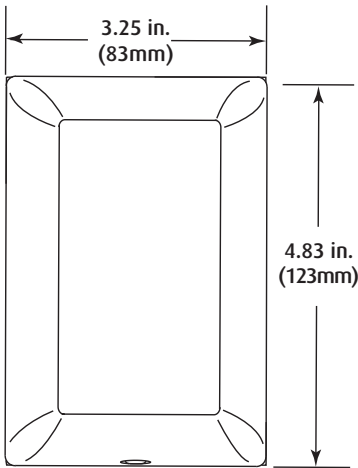
All specifications and information shown are current as of publication and subject to change without notice.

WARRANTY

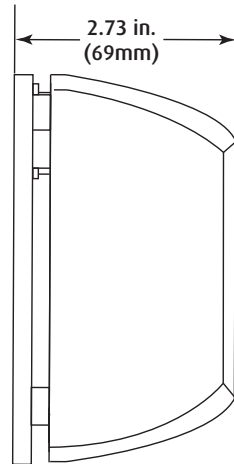
Three year warranty or a one year limited warranty (from date of purchase) on most products. See website for details. Electronic warranty form at www.sti-usa.com/wc14.

⚠ WARNING: This product can expose you to chemicals including Dichloromethane, which is known to the State of California to cause cancer, and Bisphenol A (BPA), which is known to the State of California to cause birth defects or other reproductive harm. For more information go to www.P65Warnings.com.

DIMENSIONS



FRONT



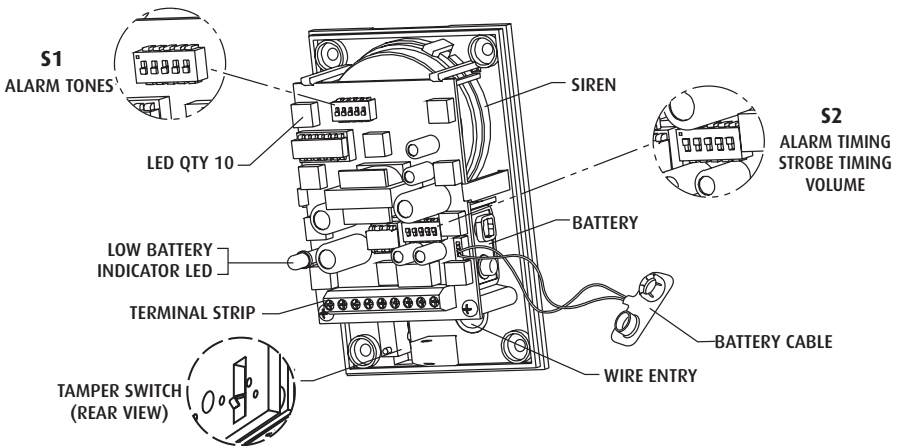
SIDE

SPECIFICATIONS

Operating Voltage	Internal power 9 VDC battery (not included)
Operating Temperature	32°F-120°
Power Consumption	Stand by: 50µA Siren low volume: 85mA Siren high volume: 90mA Strobe: 25mA
Siren Volume	Low: 85 dB High: 100 dB
Alarm Timing	Independent control for siren and strobe: 15s, 30s, 60s, continuous
Low Battery Warning	LED flash once every 30 seconds
Form C Dry Contacts	0-30VAC/DC, 1 Amp Contacts reset after longest alarm setting
Key Switch	Alarm on: normally closed
Alarm Switch	Stand by: normally open contact required
Polycarbonate Flammability Rating	UL94V-2

INSTALLATION

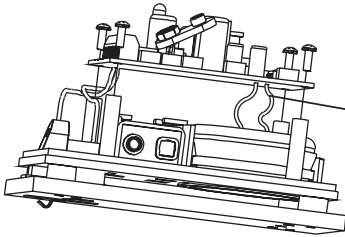
Step 1 - Electronic Setup



Step 2 - Alarm Tones - S1

	1	2	3	4	5	
* 1	0	0	0	0	0	BUZZ
2	1	0	0	0	0	SLOW ON/OFF
3	0	1	0	0	0	SLOW SIREN
4	1	1	0	0	0	3 BEEP/PAUSE/REPEAT
5	0	0	1	0	0	UFO FAST
6	1	0	1	0	0	FAST SIREN
7	0	1	1	0	0	#5 FAST
8	1	1	1	0	0	#2 MEDIUM
9	0	0	0	1	0	#5 MEDIUM
10	1	0	0	1	0	SWOOP MEDIUM
11	0	1	0	1	0	#3 MEDIUM
12	1	1	0	1	0	BUZZ TONE
13	0	0	1	1	0	STEADY FAST
14	1	0	1	1	0	SWOOP SLOW
15	0	1	1	1	0	CONTINUOUS
16	1	1	1	1	0	FAST REPEAT

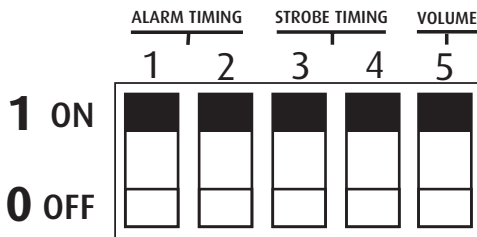
	1	2	3	4	5	
17	0	0	0	0	1	STANDARD ALARM
18	1	0	0	0	1	#3 FAST
19	0	1	0	0	1	#5 SLOW
20	1	1	0	0	1	FAST BEEP
21	0	0	1	0	1	SOUND A
22	1	0	1	0	1	SOUND B
23	0	1	1	0	1	SOUND C
24	1	1	1	0	1	SOUND D
25	0	0	0	1	1	SOUND D LOUD
26	1	0	0	1	1	SOUND E
27	0	1	0	1	1	SOUND F
28	1	1	0	1	1	SOUND G
29	0	0	1	1	1	SOUND H
30	1	0	1	1	1	#4 LOW
31	0	1	1	1	1	SOUND K
32	1	1	1	1	1	CONTINUOUS FAST



WIRES TO SIREN

NOTE Sound may be disabled by clipping wires to the siren. THIS WILL VOID ALL WARRANTIES. Remove two screws on circuit board; leave enough length of wire to possibly reattach in the future. Then insulate wires to prevent shorting to electronic components.

Step 3 - Alarm Timing and Volume - S2



	Alarm Timing		Siren		Strobe		Volume	
	1	2	3	4	5	6	7	
* 15 seconds	1	1	1	1	High			
30 seconds	1	0	1	0	1			
60 seconds	0	1	0	1	Low			
Continuous	0	0	0	0	0			

1 = ON 0 = OFF

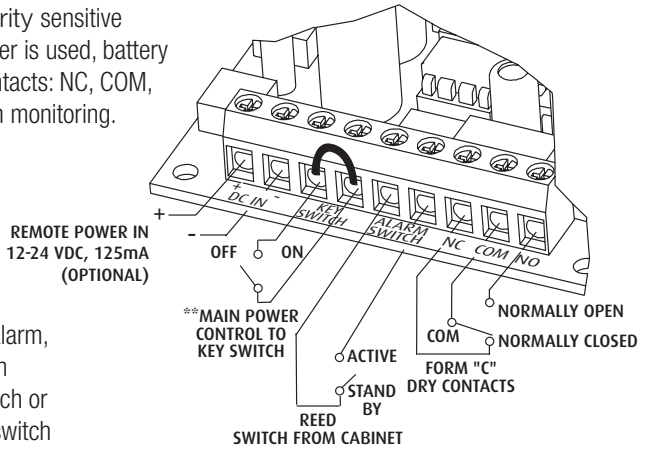
* Factory default settings

Step 4 - Terminal Strip Connections

“DC IN” are the only polarity sensitive terminals. When external power is used, battery will act as a backup. “Dry Contacts: NC, COM, NO” are used for remote alarm monitoring.

**Shipped with jumper wire installed. Remove to add key switch or other main power on/off switch.

If using power only to trigger alarm, add jumper to the alarm switch terminals. If not using key switch or other main power on/off, key switch must also have jumper.

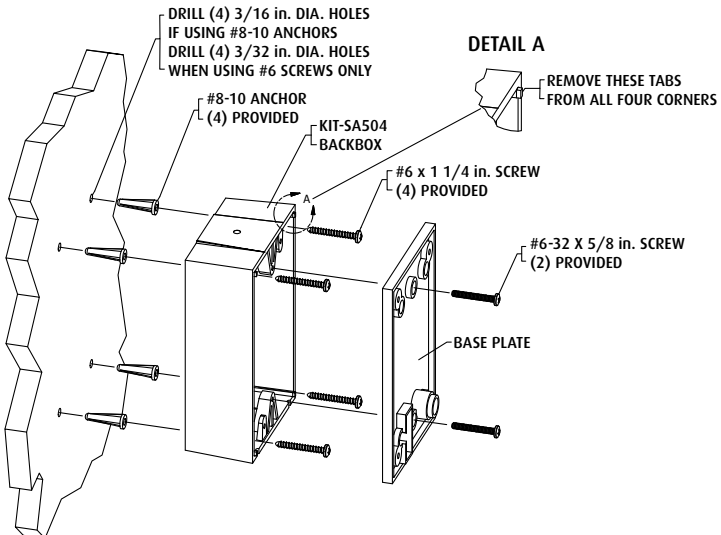


Step 5 - Mounting Options

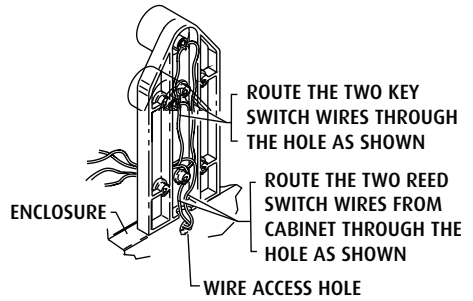
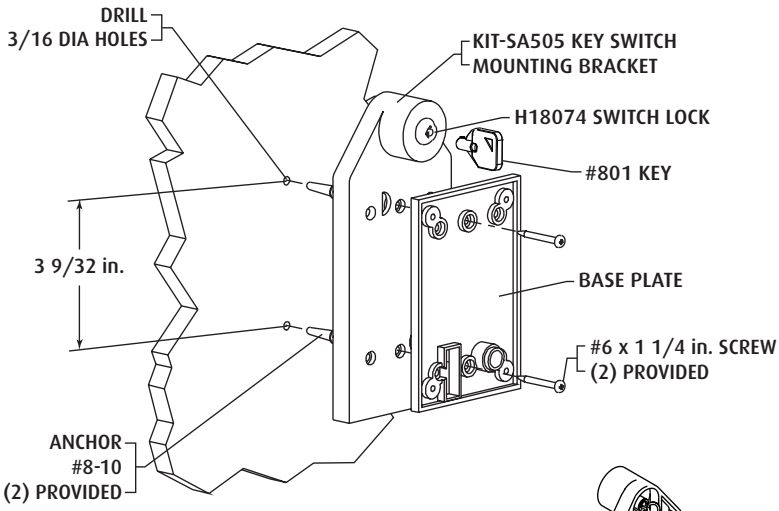
A) To STI Backbox KIT-71100A-W

- Using 5/32 drill, drill through the (4) existing holes in back box (one in each corner).
- Place back box on wall and mark the mounting hole positions.
- If using #8-10 anchors, drill 3/16 dia. holes 1 in. deep into wall and press anchor into hole. If using #6 screws only, drill 3/32 dia. holes 1 1/4 in. deep.
- Mount back box to wall using #6 x 1 1/4 in. screws.
- Mount base plate as shown using (2) #6-32 x 1 in. screws.

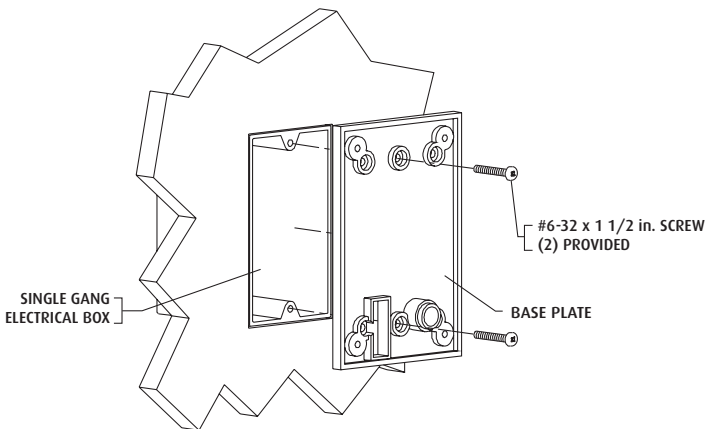
Note: If not using STI back box, make sure surface will depress tamper switch.



B) To Key Mount Plate or into Wall without Electrical Box



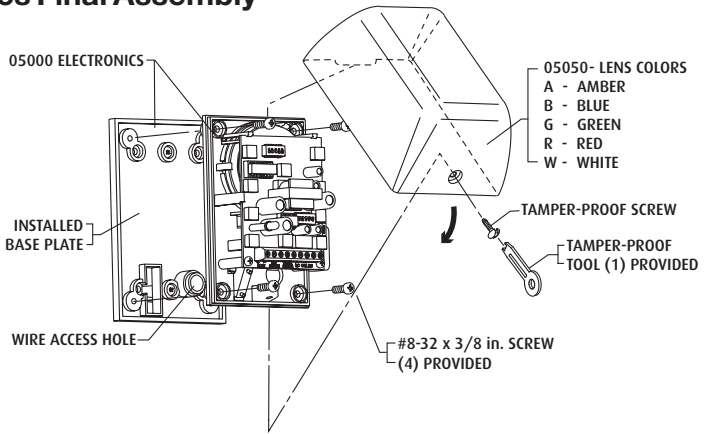
C) To Single Gang Electrical Box



Step 6 - Electronics Final Assembly

Wiring: After mounting circuit board assembly, connect wires. Refer to terminal strip connections (step 4).

Lens installation: Slide lip of lens behind circuit board mounting plate. Rotate lens into position. Secure with tamperproof screw and special wrench.



Step 7 - Operation

- Turn key switch on to arm.
- Cycle key switch to reset alarm.
- Alarm will sound when cover is removed, unit is removed from the wall or cabinet is opened (alarm switch is electronically closed).
- To service, turn key switch off.



Safety Technology International

2306 Airport Rd • Waterford, MI 48327, USA
Phone: 248-673-9898 • Fax: 248-673-1246
info@sti-usa.com • www.sti-usa.com

Taylor House • 34 Sherwood Road • Bromsgrove, Worcestershire • B60 3DR • England
Tel: +44 (0)1527 520 999 • Fax: +44 (0)1527 501 999 • info@sti-emea.com • www.sti-emea.com