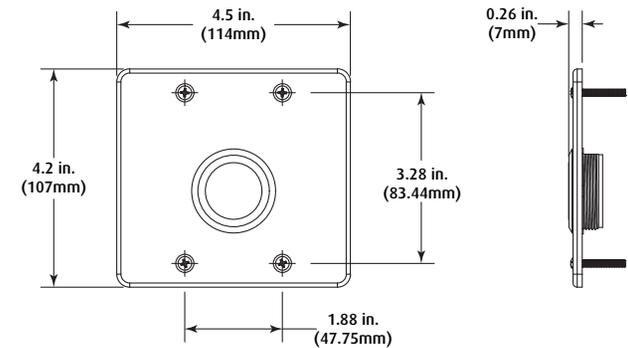
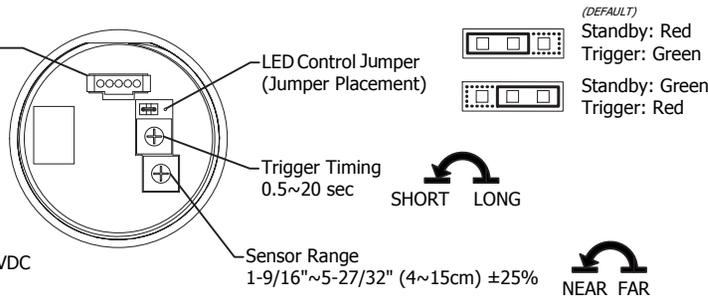
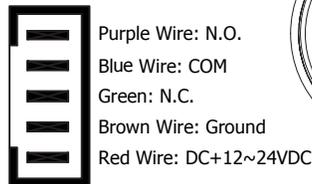


U.S. SINGLE GANG



U.S. DOUBLE GANG

Wiring Diagram



INSTALLATION

1. Run power and device wires into electrical box.
2. Use wiring diagram to complete the device application connections.
3. Screw the plate to the back box. Be careful not to pinch wires.
4. **Remove clear protective film from sensor before use.**

WARNING: Do not connect any device that will exceed 1.0A@24VDC.

CLEANING

- To ensure reliability and long life:
1. Never spray the sensor directly (use mildest cleaner available).
 2. Spray cleaner on a very soft, clean cloth and gently clean.
 3. Wipe off excess liquid and make sure wet spots are removed. (Spots may affect the sensor's performance.)

SPECIFICATIONS	
Input Power	12-24VDC +/-10%, 45mA max.
Relay Output	Form C (SPDT) dry contact relay
Relay Contact Rating	0.5A @ 120VAC, 1A @ 24VDC
Relay Life	1,000,000 Mechanical Cycles
Relay Status LED Indicator (Standby/Active)	Red/Green (default)/selectable Green/Red
Relay Active Time Delay	Adjustable 0.5 ~ 20 seconds
IR Detection Range	Adjustable 4 ~ 15cm (1.5 ~ 6 in)
IR Sensor Life	100,000 hours
Operating Temperature	-14° F to 158° F (-10°C & 70°C)
Sensor	IP65
Sensor Construction	304 stainless steel/polycarbonate
Mounting Plate Construction	1.5mm thick, 304 stainless steel

One year guarantee on electro mechanical and electronic components.

INSTALLATION OF NT-SS1 SINGLE GANG & NT-SS2 DOUBLE GANG SERIES

All specifications and information shown were current as of publication and are subject to change without notice.

NTSS1_2_AUG2020

