

STI Smoke Detector Damage Stopper®



STI-8100



See Reverse



APPROVED

PRODUCT OVERVIEW

There's no longer any reason to risk malfunction of your critically important smoke detectors from accidental or intentional damage. This Stopper is easy to install in areas where severe vandalism or physical abuse is causing false fire alarms or high maintenance costs. Two models available, STI-8100 for flush mount and the STI-8130 with a spacer for surface mount. See reverse side for specific UL approvals.

LIFETIME GUARANTEE ON COVER

Because they're molded of polycarbonate material in a highly durable design, all these protective covers carry a lifetime guarantee against breakage in normal use. They are easy to remove for servicing and tamper resistant hardware is available.

FEATURES

- UL Listed for use with specific smoke detectors. See reverse for details.
- Easy installation and easy removal for servicing.
- Recommended for correctional facilities with smoke detector abuse.
- Factory Mutual System approved.
- Appealing appearance.
- Smoke detector's LED remains visible.
- Backplate available for mounting on unstable surfaces.
- Typical working properties of polycarbonate are -40° to 250°F (-40° to 121°C).
- Tamper resistant hardware available.
- Available in clear, almond, black or white.
- Lifetime guarantee against breakage of polycarbonate in normal use.

STI Smoke Detector Damage Stopper®

Dimensions and Technical Information

MODELS AVAILABLE

STI-8100	Clear, flush mount Damage Stopper with mounting hardware
STI-8100-A	Almond, flush mount Damage Stopper with mounting hardware
STI-8100-BK	Black, flush mount Damage Stopper with mounting hardware
STI-8100-W	White, flush mount Damage Stopper with mounting hardware
STI-8130	Surface mount Damage Stopper, STI-8100, STI-8101 conduit spacer and mounting hardware
STI-8101	Stackable two inch conduit spacer (included with STI-8130)
STI-8170	Mounting backplate for flush and surface mount models. Recommended for irregular and unstable mounting surfaces such as drop ceilings and beams
SUB-81	Tamper resistant screws, #8 X 2 " snake eye (quantity 4) for use with STI-8100
SUB-82	Tamper resistant screws, #8 X 1 1/2 " snake eye (quantity 4) for use with STI-8130
19038	Tamper bit for SUB-81 and SUB-82

APPROVALS & WARRANTY

TESTING

It has been tested and listed by:

· UL Listed (No. S3504) for use with:

STI-8100 cover approved for ceiling or wall mount applications and either flush or surface (raceway/conduit) situations with no sensitivity change with the following smoke detectors:

- Notifier model FSP-751
- System Sensor model 2251
- FCI model ASD-PL
- Secutron model MRI-2251
- EST model 2251F
- Honeywell TC806B1001
- Sentrol/GE Interlogix 611UD, 612UD, 721UD and 731UD (No sensitivity adjustment needed)

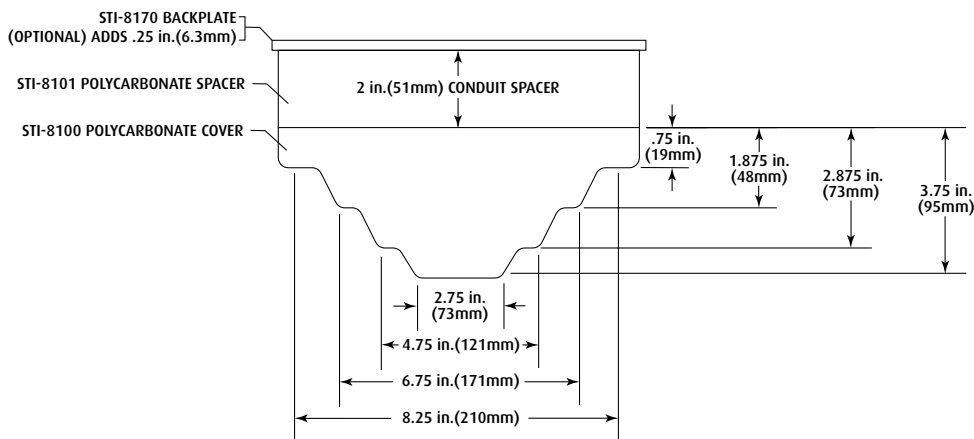
STI-8130 cover and spacer:

- Sentrol/GE Interlogix models 611UD, 612UD, 721UD and 731UD (No sensitivity adjustment needed)
- Factory Mutual System
- California State Fire Marshal No. 7300-1416:101
- New York City Board of Standards approved

NOTE: STI-8100 series covers are to be used at your own risk if mounted over a non UL Listed product.

WARRANTY

Lifetime guarantee against breakage of polycarbonate in normal use.



Safety Technology International, Inc.

2306 Airport Road
Waterford, Michigan
48327, USA

Tel: 248-673-9898
Fax: 248-673-1246
Tollfree: 800-888-4784
info@sti-usa.com
www.sti-usa.com

Unit 49G Pipers Road
Park Farm Industrial Estate
Redditch, Worcestershire
B98 0HU England

Tel: 44 (0) 1527 520 999
Fax: 44 (0) 1527 501 999
Free: 0800 085 1678 (UK)
www.sti-europe.com