

Specifications:

Power Requirements: 12VDC, 500mA

Dimensions: 3.86"W x 0.75"H x 1.5"D
(98 x 40 x 20mm)

Weight: 6oz (170g)



Russound®

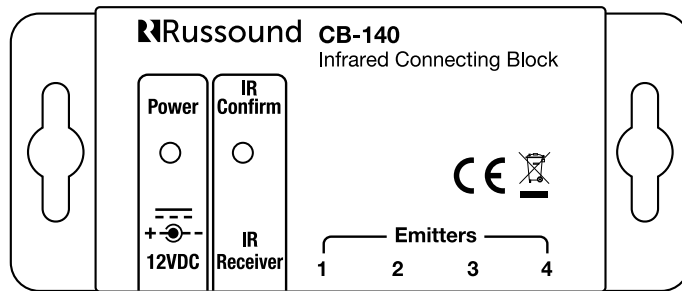
CB-140 Infrared Connecting Block Instruction Manual

Limited Warranty

The Russound CB-140 Connecting Block is guaranteed for two (2) years from the date of purchase against all defects in materials and workmanship. For this warranty to apply, the unit must be installed and used according to its written instructions. During this period, Russound will replace any defective parts and correct any defect in workmanship without charge for either parts or labor. Accidental damage and shipping damage are not considered defects under the terms of this warranty. Russound assumes no responsibility for defects resulting from abuse or servicing performed by an agency or person not specifically authorized in writing by Russound. If service is necessary, it must be performed by Russound. Damage to or destruction of components due to excessive power voids the warranty. In these cases, the repair will be made at the owner's expense. To return for repairs, the unit must be shipped to Russound at the owner's expense, along with a note explaining the nature of the service required. Be sure to pack in a corrugated container with at least 3 inches of resilient material to protect the unit from damage in transit.

Before returning a unit for repair, call Russound at (603) 659-5170 for a Return Authorization number. Write the RA number on the shipping label and ship to: Russound, ATTN: Service, 1 Forbes Road, Newmarket NH 03857

Russound sells product only through authorized Dealers and Distributors to ensure that customers obtain proper support and service. Any Russound product purchased from an unauthorized dealer or other source, including retailers, mail order sellers and online sellers will not be honored or serviced under existing Russound warranty policy. Any sale of products by an unauthorized source or other manner not authorized by Russound shall void the warranty on the applicable product.



The CB-140 Connecting Block is an easy-to-use universal IR connecting block with color-coded 3.5mm inputs to make wiring connections simple and efficient.

Connecting Block, Infrared Receiver, Infrared Emitter, Power Supply

Russound manufactures a variety of receivers and emitters to match system requirements. Please consult your Russound dealer or the Russound website at www.russound.com for more information.

Product Overview

The CB-140 Connecting Block connects IR receivers, power supply and emitters together to interface the IR system to the audio / video components. While designed to work as part of a complete Russound IR system, the CB-140 will work with most standard IR sensors and emitters. If using high output flooding type flashers, the use of a higher output power supply may be required (12vDC, 1A).

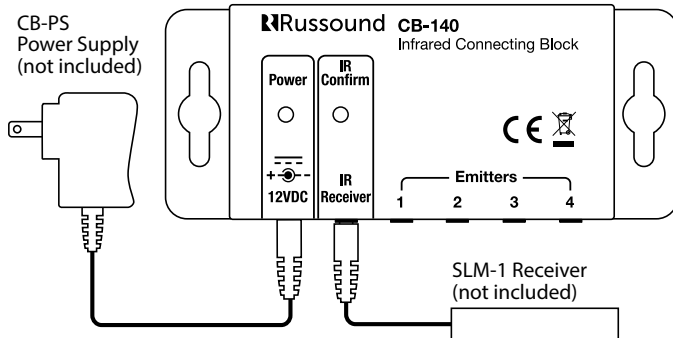
Key Features

- 1) Four color-coded 3.5 mm emitter output connections
- 2) Convenient IR confirmation LED
- 3) Power receptacle with LED indicator
- 4) Color-coded 3.5 mm IR Receiver Input
- 5) Compact size for mounting near audio equipment

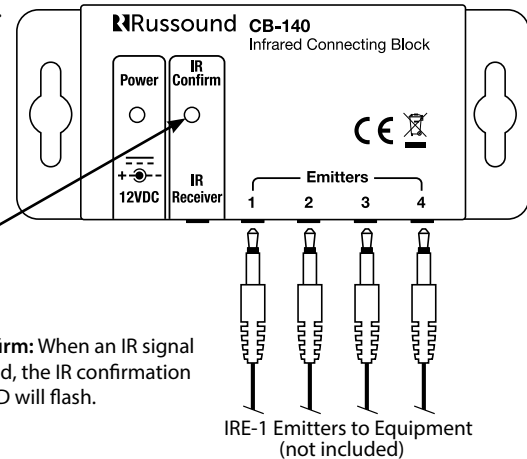
CB-140 Connections

Power: Connect the Russound CB-PS Power Supply (sold separately) to the power jack. The power LED will be illuminated when powered. This power connection will power all of the IR components connected to the system.

IR Receiver In: This is a three terminal 3.5 mm plug that is common to many brands' free standing IR receivers. This will connect the power, ground and signal. Signal is tip, ground is the ring and power is the sleeve.



Emitter Outputs: Connect up to 4 emitters to the emitter jacks labeled 1-4, (Green connector). Place the emitters on the source equipment's IR sensor window.

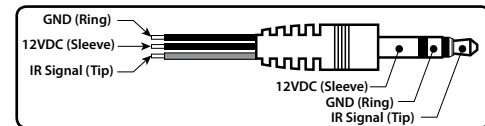


IR Confirm: When an IR signal is received, the IR confirmation green LED will flash.

Mounting: Mount the CB-140 near the source equipment to which the emitters are attached.

Extending the IR Receiver wire: For applications where a longer IR receiver wire is required, Russound manufactures the Model 900, IR Receiver Extension, in 50' lengths.

Alternatively, you can use the following diagram to splice an extension:



Other Russound IR components:



IRE-1 Single Infrared Emitter



IRE-2 Dual Infrared Emitter