

MS Series Blank Faceplate Kit

www.adamsrite.com

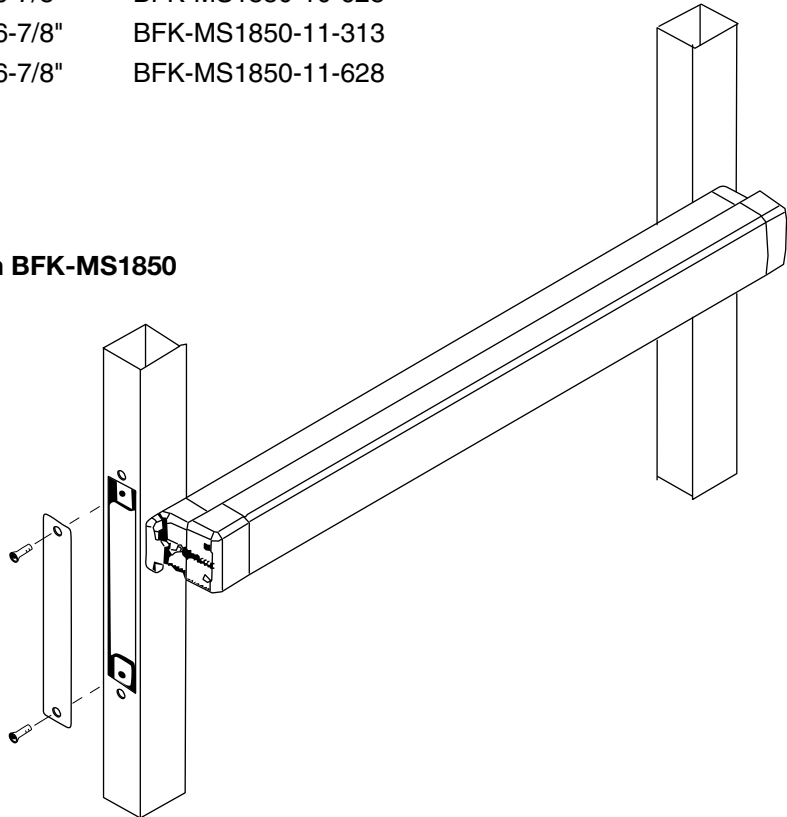
SW08002

06-13-2008

Adams Rite is introducing a new blank faceplate kit that nicely fills in the "MS" edge preparation left behind when removing an MS1850S Series Deadbolt or 4500/4700/4900 Deadlatch. The kit comes with a blank faceplate, mounting tabs and the mounting screws. Four versions are offered depending on finish and door edge type. This kit provides a professional looking solution to retrofit applications.

Description	Dimension	Part number
Flat Bronze Faceplate	1" x 6-7/8"	BFK-MS1850-10-313
Flat Aluminum Faceplate	1" x 6-7/8"	BFK-MS1850-10-628
Radius Bronze Faceplate	1" x 6-7/8"	BFK-MS1850-11-313
Radius Aluminum Faceplate	1" x 6-7/8"	BFK-MS1850-11-628

8800 Series Rim device shown with BFK-MS1850



Please contact your local distributor or our Customer Satisfaction team for price and delivery.



ASSA ABLOY

260 Santa Fe Street, Pomona, California 91767
800-872-3267 ■ fax 800-232-7329

ASSA ABLOY, the global leader
in door opening solutions