

8800 Series (Life-Safety) Narrow Stile Rim Exit Device

ELECTRIFIED
OPTION

ALUMINUM



GRADE 1

Features

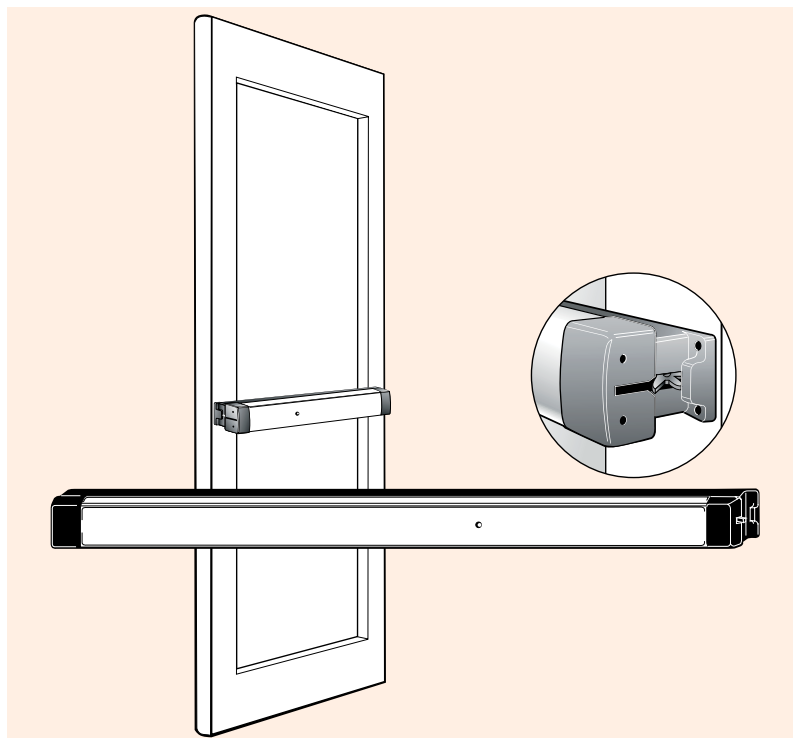
- Patented "Starwheel" bolt interlocks door to frame
- Strong, durable construction for a high level of security
- Easy to install
- Unobtrusive design for clean sight lines
- Pushbar clad or anodized, not plated, in a variety of finishes

Specifications

8800 SERIES CERTIFICATIONS:

- UL 305 Panic Hardware
- ANSI/BHMA A156.3 Grade 1
- California State Fire Marshall
- New York City MEA*

*Consult Factory for specific number



MATERIALS

- Pushbar made of extruded aluminum, clad or anodized in a variety of finishes.

HANDING

- Device is non-handed. Lever Entry Trim is field reversible.

PUSHBAR LENGTH

- Standard sizes: dimensioned for 30", 36", 42", and 48" openings. Standard width bars can be field cut to the next smallest opening width.

DOOR THICKNESS

- Suits 1-3/4" standard, up to 2-1/4".

STILE WIDTH

- Minimum 2" Stile. Fits narrow, medium, and wide stile aluminum doors.

PROJECTION

- 2-5/8" when fully projected, 1-5/8" when dogged.

DOGGING

- Standard dogging with hex key or cylinder dogging option. Electric dogging also available.

FASTENERS

- Standard self-tapping screws.

CYLINDERS

- See CYLINDERS section of this catalog for cylinder make, thumbturn and trim ring information. (Available separately).

CYLINDER X FIXED PULL (FUNCTION 03)

- Accepts any standard rim cylinder.

3080 ENTRY TRIM (FUNCTIONS 08, 09)

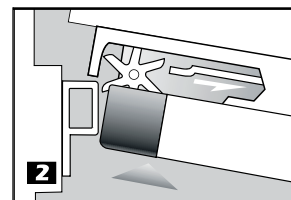
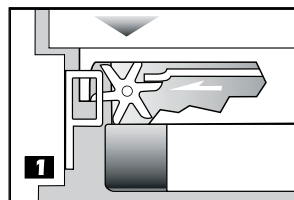
- Accepts any standard diameter mortise cylinder with MS® cam. Accommodates cylinder lengths from 1" to 1-1/4". (Available separately).

WARRANTY

- Five year limited.

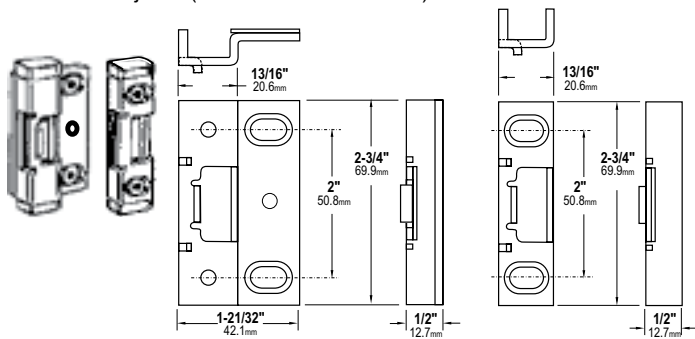
Starwheel Bolt

1. When door closes, the interlocking noseguard and starwheel bolt close around the strike. The deadlocking slide springs over, locking the starwheel bolt to the strike.
2. When pushbar is depressed, the deadlocking slide moves back, allowing the door to unlock from the strike. This unique interlock provides solid security and prevents jamb spreading.



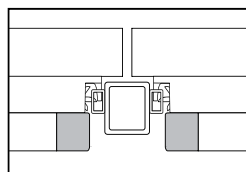
Strike

- Made of hardened steel. Standard strike and narrow versions for centering doors in 4" jamb. (Both strikes are included.)



Removable Mullion - 3890

- Allows the use of rim exit devices on paired doors without narrowing the doors. Provides higher security and better traffic flow than paired doors with vertical rod exit devices. Available in anodized 313 and 628. Specify door height when ordering.



Options and Accessories

SILENT ELECTRIFICATION MOTORIZED LATCH RETRACTION

- The SE Motorized Latch Retraction option provides near-silent operation for quiet environments such as hospitals, offices, hotels, and libraries where solenoid-driven devices would be disruptive.

ELECTRIC LATCH RETRACTION

- The EL Option is offered only for our Rim Exit devices and uses a solenoid mounted in the pushbar for instantaneous unlocking and locking

of the rim exit device from a remote location or access control device. The EL option is available for rim exit devices only.

ALARMED EXIT DEVICE

- This battery-operated option emits a loud (95 decibel) alarm to notify management of unauthorized exit. Available on minimum opening width 36". Cannot be ordered with other exit device options.

REQUEST TO EXIT (REX) – MONITOR / SIGNAL SWITCH

- Mounted in the exit device pushbar on the hinge end, the switch can be used to activate signal light, horn, monitor, or other devices.

CYLINDER DOGGING

- For management control of dogging exit devices for life-safety exit devices only.

ELECTRIC DOGGING

- A holding magnet keeps the pushbar depressed (set manually) and the latch retracted for lower profile exit devices, resulting in less damage and quieter operation.

MATCHING END CAPS

- Matching end caps are available for applications where it is preferable that the end caps match the finish of the exit device. Available for US finishes only.

AVAILABLE FINISHES

- 313 Dark Bronze Anodized
- 335 Black Anodized
- 628 Clear Anodized
- US3 Bright Brass
- US4 Satin Brass
- US32 Bright Stainless
- US32D Satin Stainless

For more detailed information on any of the options and accessories listed above please see the Accessories page of the EXIT DEVICE section of this catalog.

HOW TO ORDER 8800 SERIES (LIFE-SAFETY) NARROW STILE RIM EXIT DEVICE

Specify quantity and the following information. Order related products separately.

MODEL	PUSHBAR FINISH	DEVICE OPTIONS	MONITORING OPTION	DOOR OPENING WIDTH On pair of doors, specify HALF of the total exit opening	US FINISH	END CAPS OPTION	VOLTAGE
88	01	C	M2	-36			-12
88 Life-Safety	00 US Finish	EL Electric Latch Retraction (indicate 12V/24V)	M Single Switch	30 30 inches	US3 Bright Brass	MEC Matching End Caps	12 Volts
	01 Clear Anodized 628	SE Silent Electrification Latch Retraction	M2 Dual Switch	36 36 inches	US4 Satin Brass		24 Volts
	02 Dark Bronze Anodized 313	C Cylinder Dogging	(Blank) No Monitor	42 42 inches	US32 Bright Stainless		(For EL Option Only)
	03 Black Anodized 335	ED Electric Dogging		48 48 inches	US32D Satin Stainless		
		- Without Options		AXXB Alarmed Exit Device where XX is door opening width			

NOTE that Alarmed Exit Device option cannot be combined with Device Options or Monitoring Options. ALSO NOTE: Split finishes (faceplate/pushbar) are not available.

RELATED ANSI TRIM FUNCTIONS

01 Exit only – no outside operation Cylinder Type N/A	02 No outside operation – pull only when dogged N/A	03 Night latch – key retracts latch Rim	08 Key outside unlocks/locks lever Mortise	09 Night latch - key unlocks trim, trim retracts latch/trim relocks when key is removed Mortise	14 Passage only N/A
---	--	--	---	--	--------------------------------------

Please see TRIM Section of this catalog for information on Pulls and Entry Trim.

RELATED PRODUCTS When purchasing this product, please consider the following related products, available separately:

Accessories REX-Monitor/Signal Kits.	Cylinders Adams Rite exit devices are operable by either rim or mortise cylinders depending upon the ANSI/BHMA functions of the exit device.	Trim Entry trim and fixed pulls.	Power 4605 Transformer, 4603 Rectifier, PS-1, PS-SE, and 4612 Power Transfer Device.
--	--	--	--