



Phoenix, AZ
Tel: 1-800-872-3267
Mon-Fri: 6:00am - 4:00pm PDT
Fax: 1-800-232-7329
www.adamsrite.com

4600 Heavy Duty Designer Deadlatch Handles With 4300, 4500, and 4900 Series Deadlatches

Installation Instructions

TABLE OF CONTENTS

Tools and Equipment Needed	2
Preparing the Stile.....	2
Offsetting the Escutcheon for 31/32" [24.61 mm] and 1-1/8" [28.58 mm] Backset.....	4
Optional Monitoring Switch	4
Installing Trim to Stile.....	5
Installing the Handle.....	6
Determining and Changing the Handing Configuration	7
Changing the Handing of the 4581 Cam Disc.....	7

IMPORTANT: This product must be installed according to all applicable building and life safety codes!

Tools and Equipment Needed

The following common hand tools are needed for installation:

- 7/32" [5.56 mm], 1/4" [6.35 mm], and 3/8" [9.53 mm] drill bits
- 3/32" [2.38 mm] Allen Wrench
- Center punch
- Drill
- Flat tip screwdriver
- Phillips screwdriver
- Pencil

Preparing the Stile

NOTE: Figure 1, "Rivnut Installation for 31/32" [24.61 mm] and 1-1/8" [28.58 mm] Backset, Single Lever," and Figure 2, "Rivnut Installation for 1-1/2" [38.1 mm] Backset, Single Lever," provide illustration for the following steps.

1. **IF** using a 1-1/8" [28.58 mm] backset,
THEN MARK a vertical reference line 5/32" [3.97 mm] behind the backset centerline.
2. **APPLY** the stick-on template over the cylinder backset centerline reference 5/32" [3.97 mm] offset to clear the stop on the frame for a 1-1/8" [28.58 mm] backset.
3. **CENTERPUNCH** all holes.
4. **DRILL** holes at center punch locations.
5. **REMOVE** the template.

Offsetting the Escutcheon for 31/32" [24.61 mm] and 1-1/8" [28.58 mm] Backset

1. LOOSEN the two #4-40 x 1/4" flat head screws securing the adjustable cover on the back of the trim cartridge until the cover can be slid (see Figure 3, "Adjustable Cover and Trim Cartridge").
2. PUSH the adjustable cover toward the nose edge of the door until it stops (see Figure 3).
3. TIGHTEN the two #4-40 flat head screws to secure the adjustable cover in place.

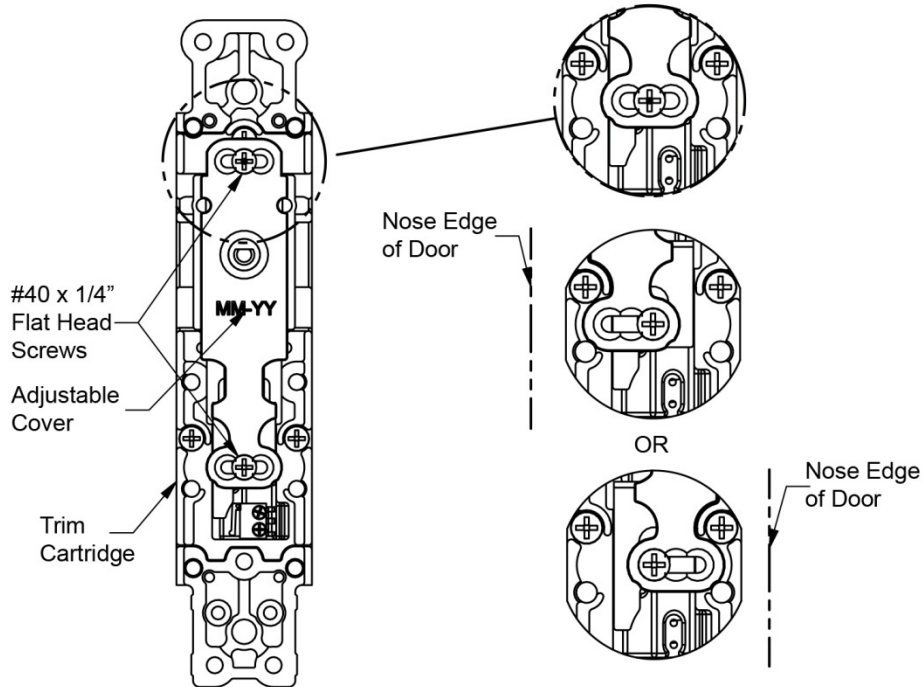


Figure 3. Adjustable Cover and Trim Cartridge

Optional Monitoring Switch

NOTE 1: Monitored trim contains an internally mounted switch (see Figure 4, "Optional Monitor Switch"), secured with two M1.6 x .35 mm Phillips pan head screws. The switch is activated when the handle is rotated to the UNLOCK position.

NOTE 2: All unused leads from the monitor switch must be terminated.

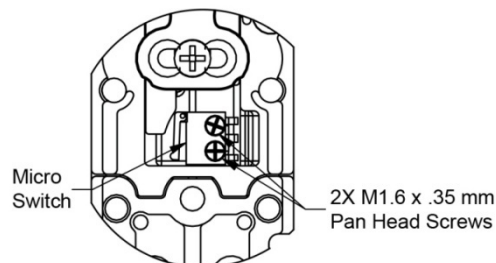


Figure 4. Optional Monitor Switch

1. WIRE the optional monitor switch in accordance with Table 1, "Wire Colors and Maximum Switching Current," and Figure 5, "Example Wiring Diagram with N.O. Monitoring."

Table 1. Wire Colors and Maximum Switching Current

Wire Color	Label
Black	Common Contact
White	Normally Open Contact (N.O.)
Red	Normally Closed Contact (N.C.)
Maximum Switching Current (choose N.O. or N.C. for monitoring)	0.1A at 125 VAC/30 VDC

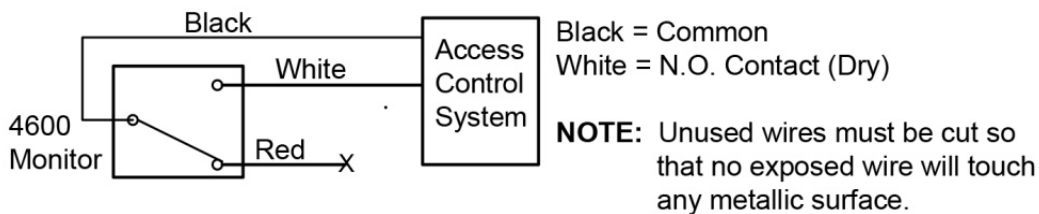


Figure 5. Example Wiring Diagram with N.O. Monitoring

Installing Trim to Stile

1. INSTALL rivnuts.
2. INSTALL the 4581 Cam Plug into the 4300, 4500, or 4900 deadlatch, and SECURE with the set screw on the latch.
3. INSERT the drive spindle into the trim body prior to mounting.
4. MOUNT the cover plate (not required for 1-1/2" backset) and the trim body to the stile using two #10-32 x 7/8" flat head screws.
5. SLIDE the cover onto the trim body from the top.

NOTE: The groove on the shaft faces opposite to the latch bolt.

6. INSERT the shaft through the hole on the cover and the output on the trim body.
7. TIGHTEN the set screw with a 3/32" Allen wrench to secure the shaft (see Figure 6, "Installing Trim to Stile").
8. INSTALL the top cap using two #4-40 x 1/4" flat head screws (see Figure 6).
9. PUSH the cover up flush with the top cap, and INSTALL the bottom cap using a #6-32 x 1/4" flat head screw (see Figure 6).

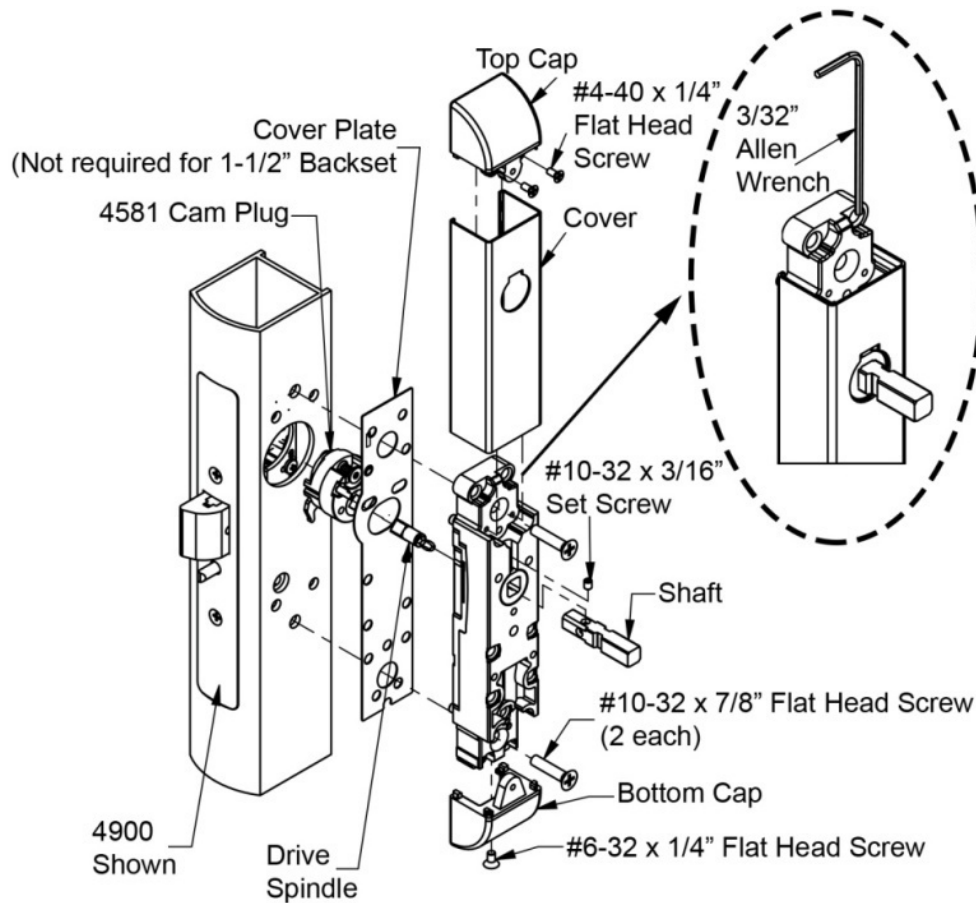


Figure 6. Installing Trim to Stile

Installing the Handle

1. INSERT washer and then INSERT hub over the shaft, as required (see Figure 7, "Installing the Handle").
2. INSTALL the handle over the hub with the hole aligned with the hole on the hub (see Figure 7).

NOTE: The shaft detent should be aligned with the locking screw.

3. SLIDE the handle in until it rests against the trim cover.
4. Using a 1/8" Allen wrench, TIGHTEN the lock screw to secure the handle to the shaft (see Figure 7).

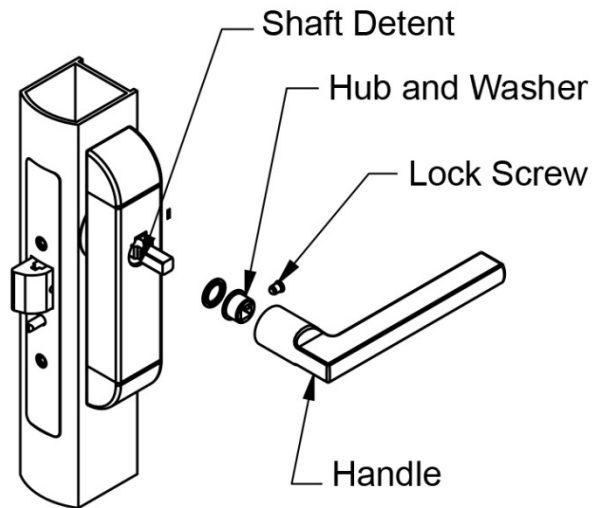


Figure 7. Installing the Handle

Determining and Changing the Handing Configuration

1. DETERMINE the current handing configuration(see Figure 8, "Handing Configuration").

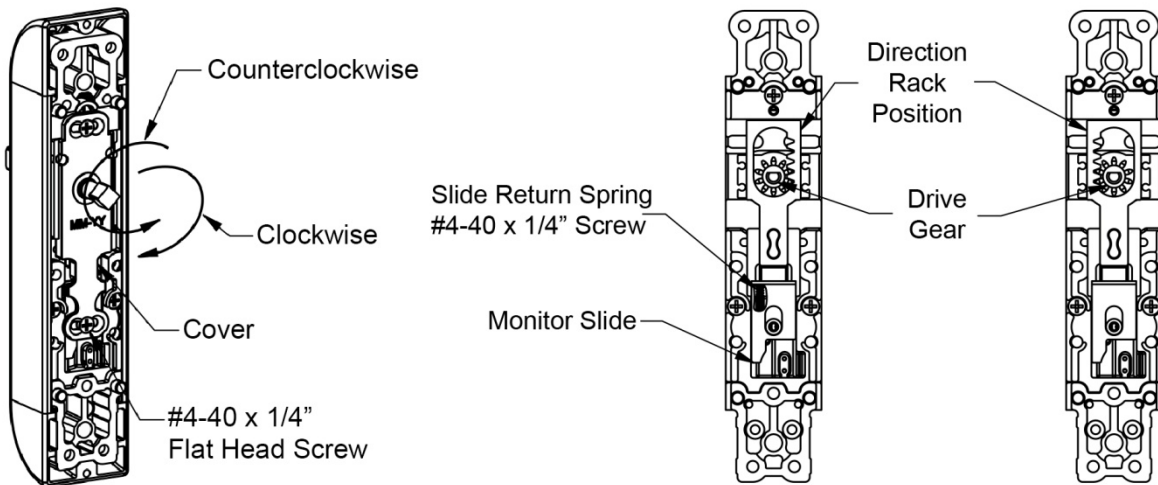


Figure 8. Handing Configuration

NOTE: During the next step, it is necessary to hold the monitor slide down to keep it from popping out of place by the slide return spring.

1. **IF** a change of handing is required, **THEN PERFORM** the following.
 - a. REMOVE both #4-40 x 1/4" screws and REMOVE the cover (see Figure 8).
 - b. REMOVE and FLIP the direction rack, ensuring the drive gear stays in position (see Figure 8).
 - c. INSTALL cover.
 - d. SECURE cover using the two #4-40 x 1/4" screws

Changing the Handing of the 4581 Cam Disc

NOTE: Figure 9, "Changing the Handing of the 4581 Cam Disc," provides an overall view for the steps in this section.

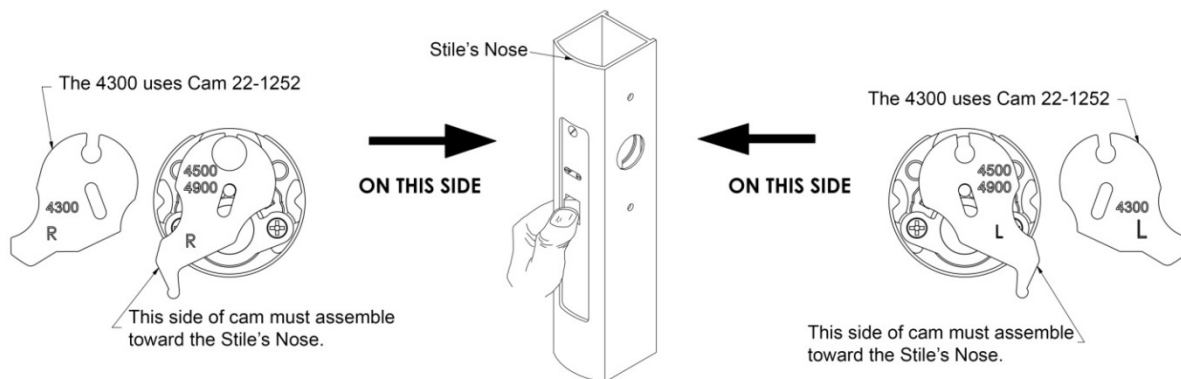
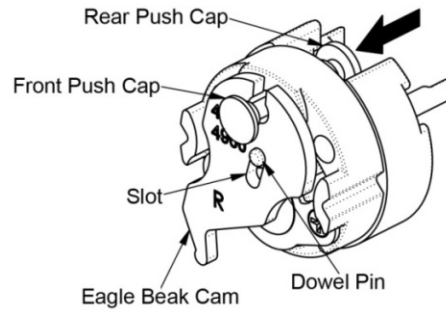
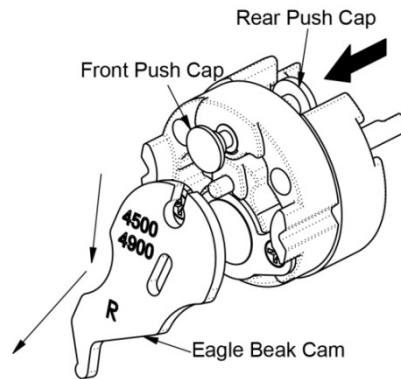


Figure 9. Changing the Handing of the 4581 Cam Disc

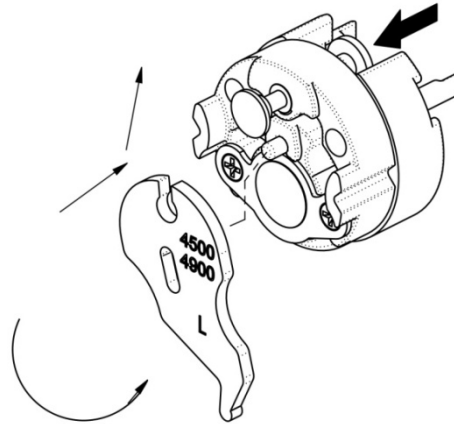
1. **DEPRESS** the rear push cap.



2. While holding the rear push cap, **SLIDE** the eagle beak cam down and out of the front push cap and the dowel pin.



3. **FLIP** the eagle beak cam to the other side, and **SLIDE** it in the dowel pin and up to the front push cap.



4. Release the rear push cap to complete the changing hand operation.

