

EPA762PU



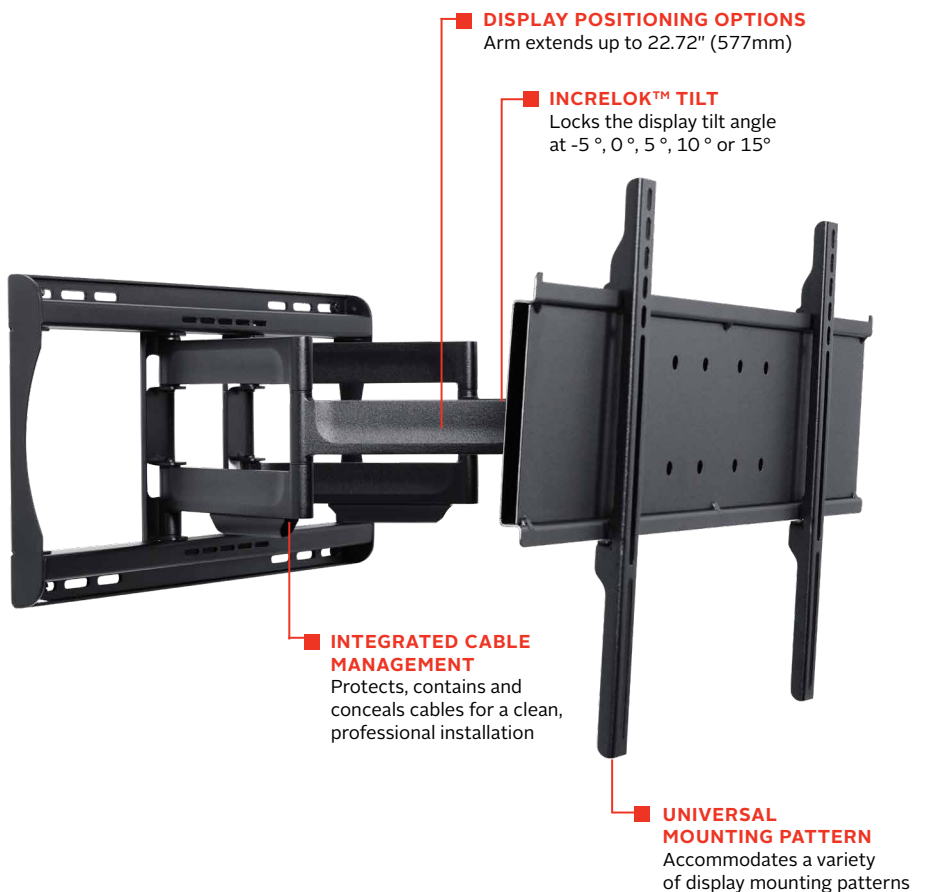
	<b>Mounting Pattern</b> Up to 730 x 405mm (28.75" x 15.95")		<b>Max Load</b> 110lb (49.9kg)
---	---	---	--------------------------------------

# Outdoor Articulating Wall Mount

FOR 42" TO 75" INDOOR OR OUTDOOR DISPLAYS

Peerless-AV's Outdoor Articulating Wall Mount is the ideal mounting solution for 42"-75" indoor or outdoor displays. The EPA762PU is specially coated with a protective anti-corrosive e-coating that repels against damaging temperature-related and outdoor corrosive elements. This all-season mounting solution is ideal for patios or decks, as well as installations in humid indoor areas like sun-rooms, locker rooms, bathrooms, car washes, indoor pools or water parks.

- Made of corrosion-resistant materials for weather resistance
- Fits displays with mounting patterns up to 730 x 405mm (28.75"W x 15.95"H) and up to 600 x 400mm VESA® compliant
- Universal model extends from 4.50" (114mm) to 22.72" (577mm) from the wall
- Open wall plate design for increased wall access and improved aesthetic
- Universal mounting pattern accommodates a variety of display mounting patterns
- IncreLok™ tilt allows adjustment of +15°/-5°
- Wood, concrete and cinder block mounting hardware included
- Includes all necessary wall and display attachment hardware



Please visit [peerless-av.com/en-us/patents](http://peerless-av.com/en-us/patents) for patent information.

✉ [info@peerless-av.com](mailto:info@peerless-av.com)  
🌐 [peerless-av.com](http://peerless-av.com)

**peerless-AV®**  
Driving Technology Through Innovation

EPA762PU Outdoor Articulating Wall Mount for 42" to 75" Indoor or Outdoor Displays

**Product Specifications**

	DIMENSIONS (W x H x D)	PRODUCT WEIGHT	LOAD CAPACITY	FINISH	AVAILABLE COLORS
EPA762PU	30.75" x 16.89" x 4.50"-22.72" (781 x 429 x 114-577mm)	26.8lb (12.2kg)	110lb (49.9kg)	E-Coat Covered with Outdoor Powder Paint	Black

**Package Specifications**

	PACKAGE SIZE (W x H x D)	PACKAGE SHIP WEIGHT	PACKAGE UPC CODE	PACKAGE CONTENTS	UNITS IN PACKAGE
EPA762PU	33.00" x 4.25" x 12.00" (838 x 108 x 305mm)	29.3lb (13.3kg)	735029314387	Mount and Mounting Hardware	1

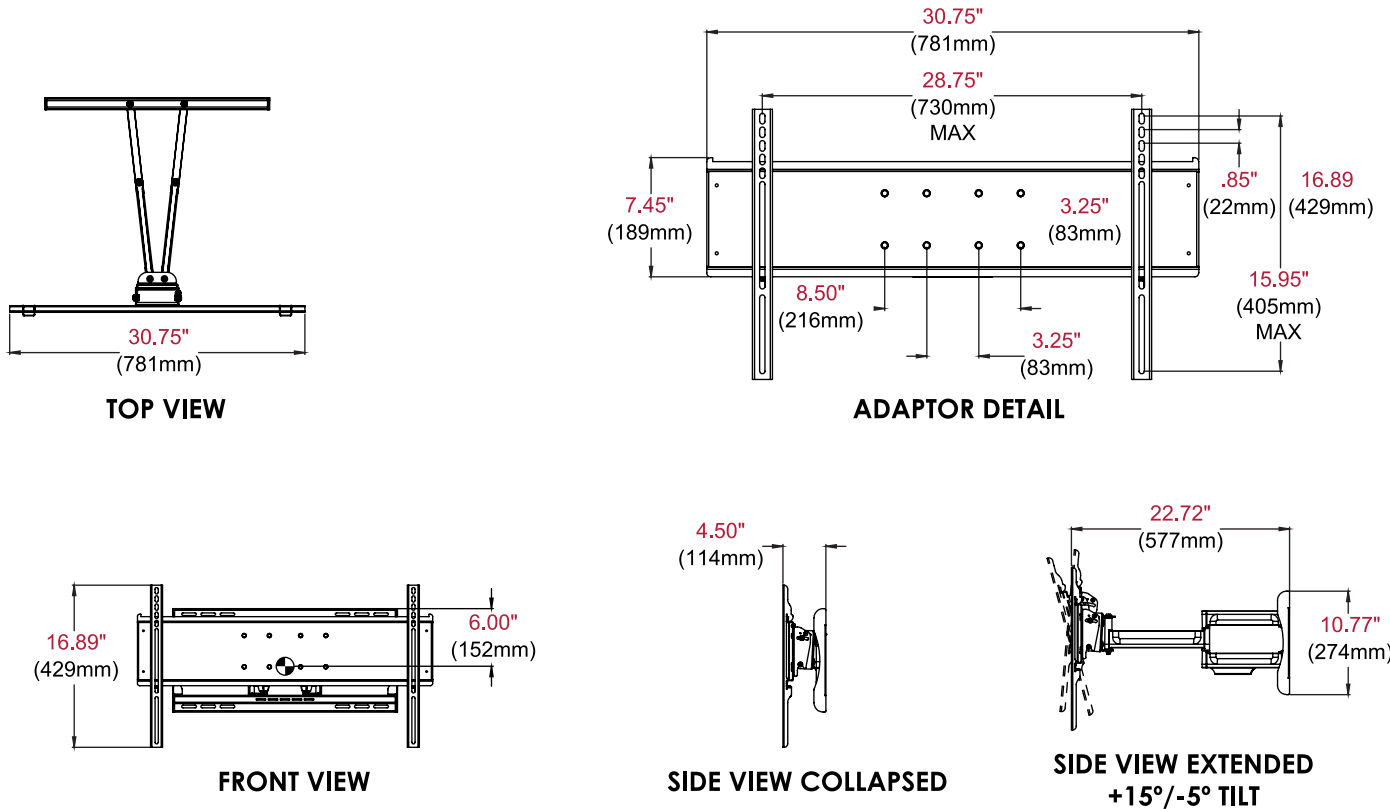
**Accessories**

HDS-OWRE-300: Wireless Outdoor Module

**Compatible with**

- UV492: 49" UltraView™ UHD Outdoor TV
- UV552: 55" UltraView™ UHD Outdoor TV
- UV652: 65" UltraView™ UHD Outdoor TV
- XHB432: 43" Xtreme™ High Bright Outdoor Display
- XHB492: 49" Xtreme™ High Bright Outdoor Display

All dimensions = inch (mm)



**Architect Specifications**

The Outdoor Articulating Wall Mount shall be a Peerless-AV model EPA762PU and shall be located where indicated on the plans. Assembly and installation shall be done according to instructions provided by the manufacturer.

Visit [peerless-av.com](http://peerless-av.com) to see the complete line of AV solutions from Peerless-AV, including outdoor displays, kiosks, digital audio, display mounts, projector mounts, carts/stands, and a full assortment of accessories.

**Peerless-AV**  
2300 White Oak Circle  
Aurora, IL 60502 USA  
**(800) 865-2112**  
**(630) 375-5100**  
**Fax: (800) 359-6500**

**Peerless-AV EMEA**  
Unit 3 Watford Interchange  
Colonial Way, Watford  
Herts, WD24 4WP  
United Kingdom  
**+44 (0) 1923 200100**  
**Fax: +44 (0) 1923 200101**

**Peerless-AV Latin America**  
Av. de las Industrias 413  
Parque Industrial Escobedo  
General Escobedo, N.L.,  
México, 66062  
**+52 (81) 8384-8300**  
**Fax: +52 (81) 8384-8360**

