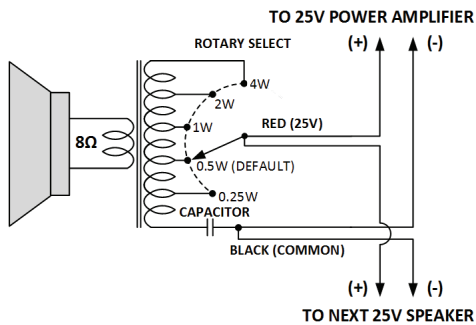


<b>APPLICATION</b>	<b>Intended Use:</b> <b>Program Material:</b> <b>Installation:</b>	Mass notification and emergency communications Signal tones and voice Fits into a 2' x 2' or 2' x 4' ceiling tile grid
<b>CERTIFICATION</b>	<b>UL Listed 1480, (UUMW) TYPE F:</b> <b>UL Listed 2043:</b>  <b>ASTM E84:</b> <b>CSFM Certified #7320-2288:0500:</b>	When installed per supplied installation instructions and requirements of NEC/AHJ Suitable for use in air-handling spaces. Material and construction permits use where ceiling plenum is part of the air handling system Includes integral backbox that meets/exceeds flame and smoke test w/ 3hr. burn rating Listed as speakers for use with separately listed compatible fire alarm control units

**INSTALLATION INSTRUCTIONS**

- Cut ceiling tile as required:  
2' x 2' tile – No cutting required  
2' x 4' tile – Cut tile in half on 4' side
- Remove cover from electrical box. Remove knockout from desired location on electrical box and install UL Listed metallic enclosure entry fittings. Remove only the knockout(s) that will be used. Verify code requirements with local AHJ.
- Make the following field wiring connections inside of electrical box:
- Make added device (e.g., strobe, smoke detector, etc.) connections on front and back of speaker using 4 internal feed-through wires and UL Listed connectors according to device manufacturers recommendations. Verify added device is securely mounted to UL22/25/DM.
- Attach electrical box cover.
- Place assembly onto ceiling grid, install 24" T-bar trim piece where required (not supplied).



- Connect one common (black) wire from the UL22/25/DM to the existing field wiring common wire. Use the second common (black) wire from the UL22/25/DM to the next speaker common wire.
- Connect one positive (red) wire from the UL22/25/DM to the existing field wiring positive wire. Use the second positive (red) wire from the UL22/25/DM to the next speaker positive wire.

**IMPORTANT:**

- Be sure to insulate all unused wires from each other, the enclosure, and electrical ground.
- Use code compliant connectors for all field wiring connections.
- Verify all code requirements with local AHJ before selecting connection method.
- Do not modify factory applied finish.
- Line supervision voltage must not exceed 150V
- Do not use UL22/25/DM without device or customer supplied cover plate mounted to the front of speaker assembly.

**IMPORTANT:**

- AHJ/ local codes may require tie-off to structure. Bend up tie-off tabs as shown above and install as directed.
- AHJ/ local codes may require tie-down to grid. Recommended fasteners (not supplied): Erico/Caddy part ATA4i and ¼" - 20 x 2" bolt, or equivalent. Attach to T-bar as directed with threaded hole over the edge of speaker assembly. Thread bolt through hole until snug against back of speaker assembly.

- Place remaining ceiling tile into grid opening as required.