

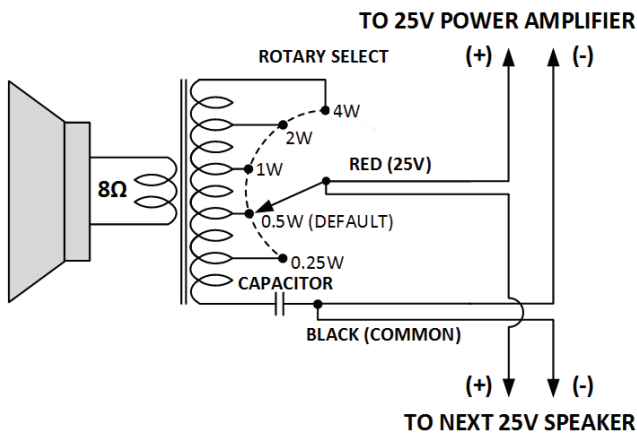
<b>APPLICATION</b>	<b>Intended Use:</b> <b>Program Material:</b> <b>Installation:</b>	Mass notification and emergency communications Signal tones and voice Fits into a 2' x 2' or 2' x 4' ceiling tile grid
<b>CERTIFICATION</b>	<b>UL Listed 1480 (UUMW) TYPE F</b> <b>UL Listed 2043</b> <b>ASTM E84</b> <b>CSFM Certified #7320-2288:0500</b>	When installed with supplied installation instructions and requirements of NEC/AHJ Suitable for use in air-handling spaces Includes integral backbox that meets/exceeds flame and smoke test w/ 3hr. burn rating For use with separately listed compatible fire alarm control units

**INSTALLATION INSTRUCTIONS**

- Cut ceiling tile as required:  
2' x 2' tile – No cutting required.  
2' x 4' tile – Cut tile in half on 4' side.
- Required only if using conduit clamp fitting **other than what is provided with product.**
  - Loosen, but do not remove screws** on cover plate; slide plate to large keyhole position and lift plate from assembly.
  - Remove cable/conduit clamp fitting from cover plate;** Install UL Listed metallic enclosure entry fitting for plenum cable or flex whip.
  - Feed supply cable through whip to speaker wires.** Make connections per wiring diagram; Use appropriate connectors to meet any required codes.
  - Replace cover plate and tighten cover plate screws. When cover plate is secured, all connections/splices must be inside of the enclosure.
- Make the following field wiring connections to the UL22/25.
  - Connect the common (black) wire from the UL22/25 to the existing field wiring common wire.
  - Connect the positive (red) wire from the UL22/25 to the existing field wiring positive wire. All connections/splices must be inside of the enclosure.
  - Using the rotary selector, select the desired speaker tap power level.
  - Tighten screws on cable clamp.

**IMPORTANT:**

- Verify all code requirements with local AHJ before selecting connection method.
- Using code compliant connectors for all field wiring.



**IMPORTANT:**

- AHJ/ local codes may require tie-off to structure. Bend up tie-off tabs as shown above and install as directed.
- AHJ/ local codes may require tie-down to grid. Recommended fasteners (not supplied): Erico/Caddy part ATA4i and ¼" - 20 x 2" bolt, or equivalent. Attach to T-bar as directed with threaded hole over the edge of speaker assembly. Thread bolt through hole until snug against back of speaker assembly.

- Place remaining ceiling tile into grid opening as required.