

PREPARATION

The SYSTEM 3 is a complete speaker assembly with loudspeaker, baffle, and backbox.

INSTALLATION

- A) Orient the backbox to allow field wiring entry in the backbox at your selected location. Using the backbox as a template, mark the locations of the mounting holes on the installation surface. See **FIGURE 1** for mounting hole locations.

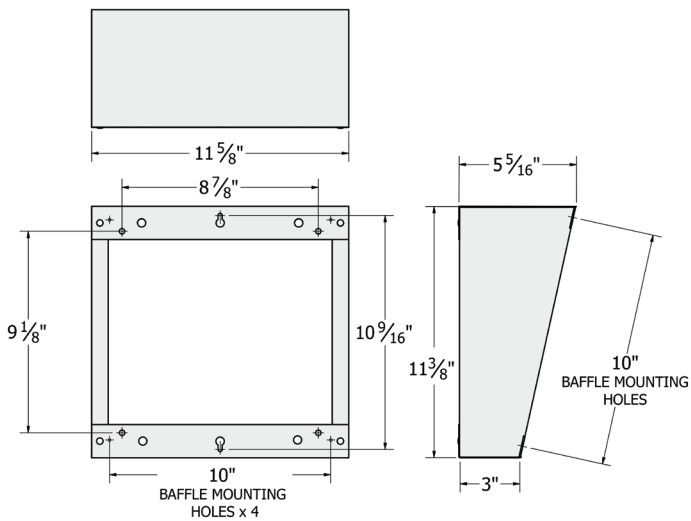


FIGURE 1

- B) Install appropriate mounting anchors per manufacturer's specification. Anchors must be rated to support a minimum of 15 lbs.
- C) Place the backbox over the mounting anchors and attach using screws supplied with mounting anchors. Verify the backbox is securely fitted to the mounting surface and cannot be removed.

TERMINATION

- A) Feed audio source cable into backbox and terminate as shown in specific wiring instructions.
- B) Connect the audio source field wiring to the desired speaker tap power level. See **FIGURE 2** for speaker tap power level for each color coded wire. Use UL Listed connectors to secure the wires together to meet local code and AHJ requirements.

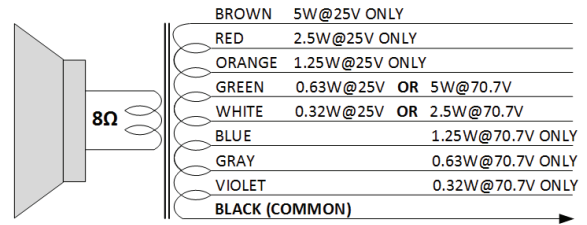


FIGURE 2

IMPORTANT: Be sure to insulate all unused wires from each other, the enclosure, and electrical ground.

- C) Attach baffle/speaker assembly to the backbox using four (4) screws supplied with the SYSTEM 3.