



**30C25Z80T**

**MOISTURE RESISTANT**

3" O.D. loudspeaker, 2.35 oz. magnet, 8Ω impedance, moisture resistant

**GENERAL DESCRIPTION**

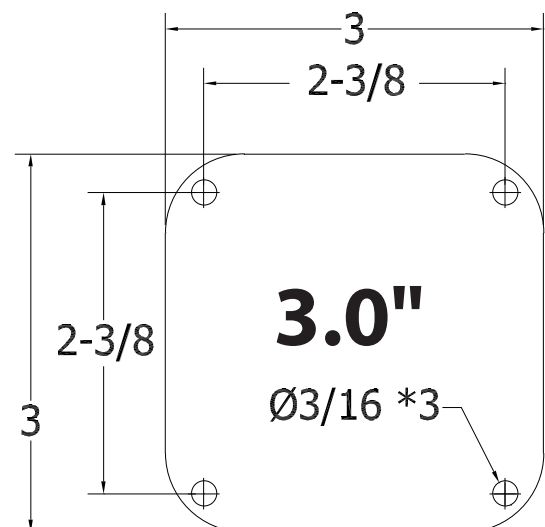
The **30C25Z80T** is a 3" square frame loudspeaker with a 2.35 oz. ceramic magnet, 8 Ohm nominal impedance and a moisture resistant cone.

**INTENDED USE - Indoor and Outdoor Environment**

<b>Program Material</b>	Signal tones, voice and music
<b>Installation</b>	Loudspeaker mount is a #8-32 tapped hole, center rear of device

**AUDIO SPECIFICATIONS**

<b>Frequency Response</b>	300 Hz - 10kHz
<b>Power Handling<sup>1</sup></b>	4W
<b>Impedances Available</b>	8
<b>Cone Finish Options</b>	Weather-Resistant
<b>Magnet Material</b>	Ceramic
<b>Weight</b>	2.35 oz
<b>Depth</b>	1.190 in



<sup>1</sup>Loudspeaker Power Rating per EIA 426A