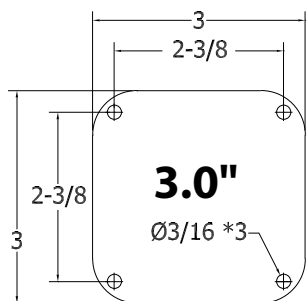
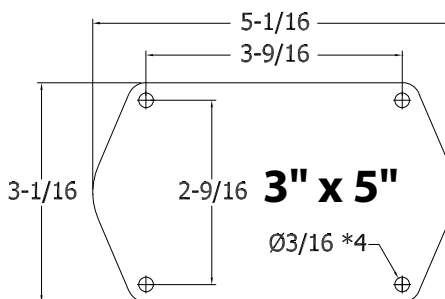
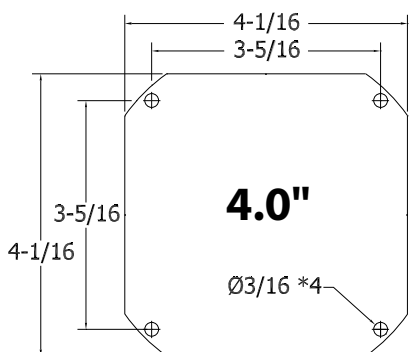
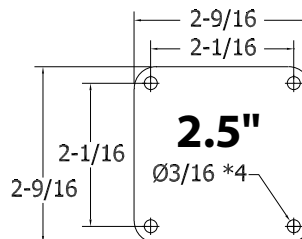
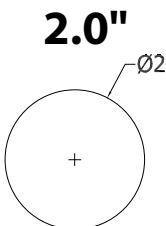


INDIVIDUAL LOUDSPEAKER



Loudspeaker mount is a #8-32 tapped hole, center rear of device



Model Number	Frequency Response	Power Handling ¹	Impedances Available	Cone Finish Options	Magnet Material, Weight (oz.)	Depth (in)	
2.0" Round	20A0Z8	300 Hz - 6 kHz	1W	8-Only	None	Alnico, 0.52	0.940
2.5" Square	25A07Z8	150 Hz - 12 kHz	2W	8	None	Alnico, 0.52	1.090
2.5" Square	25A07Z45	150 Hz - 12 kHz	2W	45	None	Alnico, 0.52	1.090
2.5" Square	25C25Z8OT	200 Hz - 6 kHz	4W	8	None	Ceramic, 2.35	1.090
2.5" Square	25C25Z45OT	200 Hz - 6 kHz	4W	45	Weather-Resistant	Ceramic, 2.35	1.090
3.0" Square	30A05Z8	150 Hz - 12 kHz	2W	8	None	Alnico, 0.52	1.242
3.0" Square	30A0Z45	150 Hz - 12 kHz	2W	45	None	Alnico, 0.52	1.242
3.0" Square	30C25Z8	150 Hz - 14 kHz	2W	8-Only	None	Ceramic, 2.35	1.190
3.0" Square	30C25Z8OT	300 Hz - 10 kHz	4W	8	Weather-Resistant	Ceramic, 2.35	1.190
3.0" Square	30C25Z45OT	300 Hz - 10 kHz	4W	45	Weather-Resistant	Ceramic, 2.35	1.190
3.0" x 5.0" Oval	35A05Z8	130 Hz - 14 kHz	1W	8- Only	None	Alnico, 0.52	1.190
4.0" Square	4A1Z8	200 Hz - 12 kHz	3W	8	None	Alnico, 0.52	1.465
4.0" Square	4A1Z45	200 Hz - 12 kHz	3W	45	None	Alnico, 0.52	1.465
4.0" Square	4C3Z8OT	130 Hz - 9 kHz	10W	8-Only	Weather-Resistant	Ceramic, 4.8	1.465
4.0" Square	4C5Z8	120 Hz - 15 kHz	10W	8-Only	None	Ceramic, 4.8	1.465

¹Loudspeaker Power Rating per EIA 426A

QUAM-NICHOLS COMPANY

234 East Marquette Road, Chicago IL 60637
 Phone: (800) NEED NOW Fax: (888) NEED NOW
 (800) 633-3669 (888) 633-3669

E-Mail: NeedNow@QNC.com www.QuamSpeakers.com

