



**FEDERAL SIGNAL**

Safety and Security Systems / **Industrial**

## **Model SST3-MV Electronic Siren**



---

### ***Installation and Maintenance Instructions***

2561620A  
REV. A1 419  
Printed in U.S.A.

*français.....page 17  
español.....página 32*

**Warranty** – Seller warrants all goods for five years on parts and 2-1/2 years on labor, under the following conditions and exceptions: Seller warrants that all goods of Seller’s manufacture will conform to any descriptions thereof for specifications which are expressly made a part of this sales contract and at the time of sale by Seller such goods shall be commercially free from defects in material or workmanship. Seller reserves the right at the Seller’s discretion to “Repair and Return” or “Replace” any item deemed defective during the warranty period. This warranty does not cover travel expenses, the cost of specialized equipment for gaining access to the product, or labor charges for removal and reinstallation of the product. This warranty shall be ineffective and shall not apply to goods that have been subjected to misuse, neglect, accident, damage, improper maintenance, or to goods altered or repaired by anyone other than Seller or its authorized representative, or if five years have elapsed from the date of shipment of the goods by Seller with the following exceptions: lamps and strobe tubes are not covered under this warranty. Outdoor warning sirens and controllers manufactured by Federal Warning Systems are warranted for two years on parts and one year on labor. No agent, employee, representative or distributor of Seller has any authority to bind the Seller to any representation, affirmation, or warranty concerning the goods and any such representation, affirmation or warranty shall not be deemed to have become a part of the basics of the sales contract and shall be unenforceable. THE FOREGOING WARRANTIES ARE EXCLUSIVE AND IN LIEU OF ALL OTHER WARRANTIES OR MERCHANTABILITY, FITNESS FOR PURPOSE AND OF ANY OTHER TYPE, WHETHER EXPRESS OR IMPLIED. These warranties shall not apply unless Seller shall be given reasonable opportunity to investigate all claims for allegedly defective goods. Upon Seller’s instruction a sample only of allegedly defective goods shall be returned to Seller for its inspection and approval. The basis of all claims for alleged defects in the goods not discoverable upon reasonable inspection thereof pursuant to paragraph 8 hereof must be fully explained in writing and received by Seller within thirty days after Buyer learns of the defect or such claim shall be deemed waived.



2645 Federal Signal Drive • University Park, IL 60484-3167  
www.fedsig.com  
Customer Support: 1 800-344-4634 • 1 708-534-4756  
Technical Support: 1 800-755-7621 • 1 708-587-3587

---

# Contents

<b>Safety Messages to Installers .....</b>	<b>5</b>
<b>Unpacking the Siren.....</b>	<b>6</b>
<b>Overview of Model SST3-MV Siren .....</b>	<b>6</b>
<b>Mounting the Siren .....</b>	<b>7</b>
Weatherproof Mounting in the WB Box .....	8
Wall Mounting or Surface Mounting .....	9
Concealed Conduit Mounting .....	10
<b>Connecting Power to the Siren .....</b>	<b>10</b>
For AC Operation .....	12
For 24 Vdc Operation.....	13
<b>Wiring for Remote Tone Activation.....</b>	<b>13</b>
<b>Wiring for Single Tone Activation at Power-Up .....</b>	<b>14</b>
<b>Getting Repair Service or Technical Assistance .....</b>	<b>14</b>
<b>Safety Message to Maintenance Personnel .....</b>	<b>15</b>
<b>Ordering Replacement Parts .....</b>	<b>15</b>
<b>Returning the Product for Credit .....</b>	<b>16</b>
<b>FRANÇAIS.....</b>	<b>17 - 31</b>
<b>ESPAÑOL .....</b>	<b>32 - 46</b>

**Figures**

**Figure 1** Mounting with the WB box..... 8  
**Figure 2** Mounting with an NB or NBL box ..... 9  
**Figure 3** Mounting with concealed conduit ..... 11  
**Figure 4** Settings on the siren PCB ..... 12

**Tables**

**Table 1** Kit contents..... 7  
**Table 2** Specifications ..... 7  
**Table 3** Replacement parts ..... 16

## **Safety Messages to Installers**

### **⚠ WARNING**

It is important to follow all instructions shipped with this product. This device is to be installed by a trained electrician who is thoroughly familiar with the National Electric Code/Canadian Electric Code and will follow the NEC/CEC Guidelines as well as local codes.

The selection of mounting location for the device, its controls and the routing of the wiring is to be accomplished under the direction of the facilities engineer and the safety engineer. In addition, listed below are some other important safety instructions and precautions you should follow:

- Read and understand all instructions before installing or operating this equipment.
- Do not connect this unit to the system when power is on.
- Optimum sound distribution will be severely reduced if any objects are in front of the speaker. You should ensure that the front of the speaker is clear of any obstructions.
- All effective warning speakers produce loud sounds which may cause, in certain situations, permanent hearing loss. You should take appropriate precautions such as wearing hearing protection.
- All effective warning speakers produce loud sounds, which may cause, in certain situations, permanent hearing loss. The device should be installed far enough away from potential listeners to limit their exposure while still maintaining its effectiveness. The OSHA Code of Federal Regulations 1910.95 Noise Standard provides guidelines which may be used regarding permissible noise exposure levels.
- Establish a procedure to routinely check the sound system for proper activation and operation.

## ***Installation and Maintenance Instructions***

---

- Provide a copy of these instructions to the Safety Engineer, operator(s), and maintenance personnel.
- File these instructions in a safe place and refer to them when maintaining and/or reinstalling the device.

Failure to follow all safety precautions and instructions may result in property damage, serious injury, or death.

### **Unpacking the Siren**

After unpacking the Model SST3-MV, examine it for damage that may have occurred in transit. If the siren has been damaged, do not attempt to install or operate it. File a claim immediately with the carrier, stating the extent of the damage.

Carefully check all envelopes, shipping labels, and tags before removing or discarding them. If any parts are missing, please call Federal Signal Customer Support at 708-534-4756 or 877-289-3246. Disposal of all shipping materials must be carried out in accordance with national and local codes and standards.

### **Overview of Model SST3-MV Siren**

The Federal Signal Model SST3-MV is an electronic siren that produces three different high-decibel tones. It features internal amplification and the circuitry required to produce wail, yelp and horn tones. Each tone is manually activated from a remote point.

The SST3-MV operates on 24 Vdc, 120 Vac, or 240 Vac. The NEMA 3R (with backbox) housing is molded from impact-resistant ASA (acrylic-styrene-acrylonitrile) plastic, making it resistant to ultraviolet and ideal for indoor or outdoor use. The omnidirectional swivel-mount system enables the output to be pointed anywhere within a 360-degree half-sphere.

The Model SST3-MV can be used as a standalone, high-output audible warning device in any application in which multiple tones are needed, but voice paging is not required. Typical applications include emergency warning, start and dismissal, fire alarm, general alarm, and evacuation.

**Table 1** Kit contents

<b>Qty.</b>	<b>Description</b>	<b>Part Number</b>
1	Adapter	K8476121-04
1	Gasket, Adapter	K847602952A
1	Connector Plug, 4-Position	K140340
1	Connector Plug, Tone Selector	K140389-04

**Table 2** Specifications

Operating Voltage:	120/240 Vac, 50/60 Hz, 24 Vdc	
Operating Current:	<b>Voltage</b>	<b>Current</b>
	120 Vac	210 mA
	240 Vac	120 mA
	24 Vdc	600 mA
Sound Output:	<b>dB(A) at 10 ft on Axis</b>	<b>dB(A) UL Rating</b>
Wail	109.5	100
Yelp	111	100
Horn	107	94
Weight (approx.):	4.4 lb (2.173 kg)	
Dimensions (HWD):	14.5 in x 12 in x 9 in (36.83 mm x 30.48 mm x 22.86 mm)	

## Mounting the Siren

The Model SST3-MV can be attached to any relatively flat surface or to a variety of electrical wall boxes. A four-position plug is supplied for electrical connection. In addition, two #8-32 x 3-1/4 inch slotted machine-screws are included to attach the unit to a four-inch square electrical box. After the mounting method and location have been selected, follow the procedure in the appropriate section below. For clarity, The speaker portion of SST3-MV is not shown in the illustrations.

The speaker and its base assembly provides three degrees of freedom, allowing the siren to be oriented for any coverage pattern desired. The angle is adjusted with hand-tightened nuts that require minimal torque to maintain the position of the siren.

## Installation and Maintenance Instructions

When mounted outdoors, ensure that the rain guard on the swivel base is oriented to protect the wire opening in the speaker from falling rain.

### **⚠ WARNING**

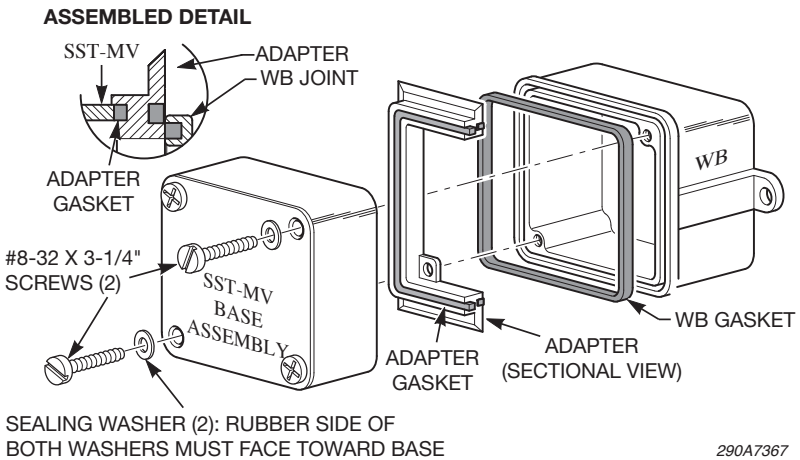
**SUFFICIENT SUPPORT FOR MOUNTING BOX—Always provide sufficient support of the mounting boxes used to mount the horn. Failure to do so may result in property damage, serious injury or death.**

### **Weatherproof Mounting in the WB Box**

To mount the siren with the WB box:

1. See Figure 1. Insert the two #8-32 x 3-1/4 inch slotted pan-head screws into the SST3-MV base at opposite corners.
2. Remove the white paper off the adapter gasket to expose adhesive backing. Place the two adapter gaskets on either sides of the adapter in grooves. Place the adapter with the installed gaskets over the screws inserted in step 1.
3. Secure the SST3-MV base/adapter assembly in the WB box with the pan-head screws as shown in Figure 1.

**Figure 1** Mounting with the WB box



290A7367



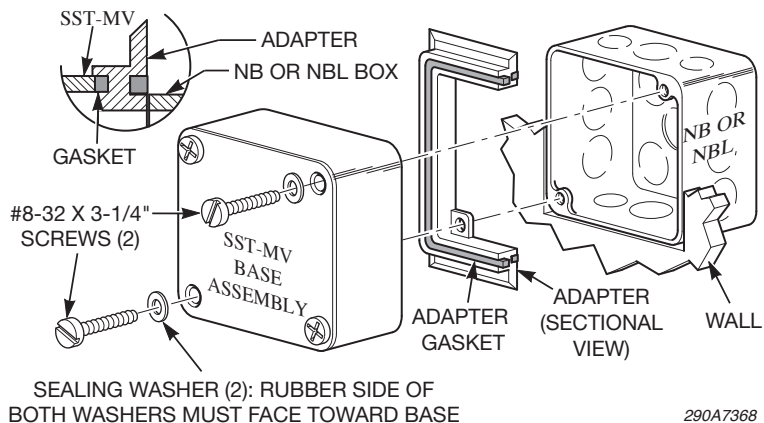
## **Wall Mounting or Surface Mounting**

Mounting the SST3-MV on a wall or flat surface in an NB or NBL box requires the adapter, the adapter gasket, and the #8-32 x 3-1/4 inch pan-head screws as shown in Figure 2.

1. Insert the two #8-32 x 3-1/4 inch slotted round-head screws into the SST3-MV base at opposite corners.
2. Remove the white paper off the adapter gasket to expose adhesive backing. Place the two adapter gaskets on either sides of the adapter in grooves. Place the adapter with the installed gaskets over the screws inserted in step 1.
3. Secure the SST3-MV base/adapter assembly in the NB or NBL box with the pan-head screws as shown in Figure 2.

**Figure 2** Mounting with an NB or NBL box

### **ASSEMBLED DETAIL**



### **Concealed Conduit Mounting**

The concealed-conduit mounting method is shown in the Figure 3 on page 11. This mounting method is recommended when an existing junction box or handy box will not accommodate the Model SST3-MV. For this type of mounting a Federal Signal Model NBL outlet box and an adapter plate are required. A pair of #6-32 and #8-32 flat-head screws are included with the concealed mounting kit to secure the plate to the existing box. Two #10-32 x 1/4 inch round-head screws are supplied to attach the NBL box to the plate. An insulated bushing is also supplied to protect electrical leads passing through the center knockout of the NBL box.

### **Connecting Power to the Siren**

**⚠ WARNING**

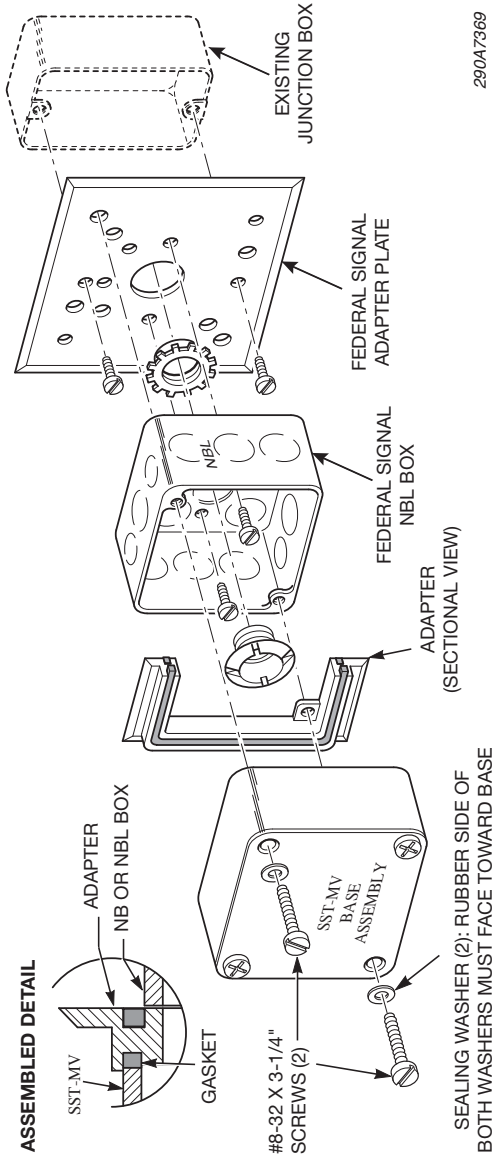
***SHOCK HAZARD—To avoid electrical shock hazards, do not connect wires when power is applied. Failure to follow this warning could cause serious injury or death.***

**NOTICE**

***PROPER WIRE GAUGE—Use only 12 to 18 AWG wire for power connection. Strip no more than 0.25 inch of wire insulation from the ends of the power leads.***

Choose either AC or DC power operation. Do not try to operate the siren by connecting both AC and DC power sources at the same time.

Figure 3 Mounting with concealed conduit

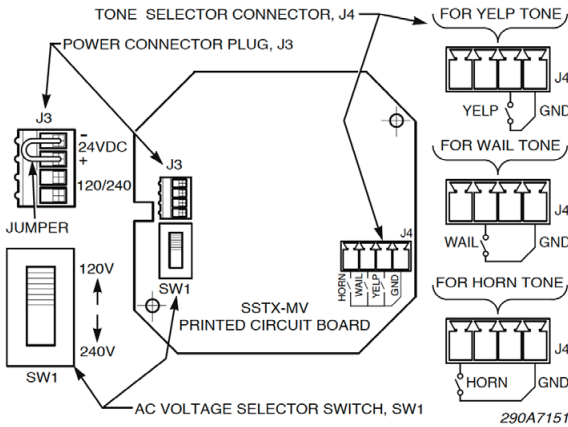


**For AC Operation**

To connect AC power to the siren:

1. Make operating power to the siren is off.
2. See Figure 4. If the siren is to be operated from an AC source, set the voltage selector switch SW1 on the siren PCB to the desired source voltage.

**Figure 4** Settings on the siren PCB



3. Connect the AC power leads to the 120/240 Vac terminals of the four-position connector plug supplied with the siren by inserting the stripped ends of the wire into the connector as far as they can travel. Make sure the supply lead insulation is flush with the connector.

**NOTE:** If you are using stranded wire, be sure that there are no loose strands outside the connector plug that could touch the adjacent lead and cause a short circuit.

4. Plug the connector into the receptacle provided on the printed circuit board.

### **For 24 Vdc Operation**

To connect 24 Vdc power to the siren:

1. Make operating power to the siren is off.
2. See Figure 4 on page 12. For 24 Vdc operation, remove the short-wire jumper (installed in “Wiring for Single Tone Activation on Power-Up” on page 14.)
3. Connect the positive lead to the (+) terminal and negative lead to the (-) terminal of the four-position connector.

### **Wiring for Remote Tone Activation**

Make sure operating power to the siren is off.

See Figure 1 on page 8. Apply a dry-contact closure at J4 plug between the ground (GND) terminal and one of the tone (WAIL, YELP, HORN) terminals.

Use 18 AWG shielded twisted-pair wires. Strip no more than 0.25 inch of wire insulation from the ends of leads to connect dry-contact terminals for the remotely-located tone activation between GND and WAIL, YELP, or the HORN terminal of four-position connector plug supplied with siren. Make sure the lead insulation is flush with the connector. If you using stranded wire, be sure that there are no loose strands outside the connector plug that could touch adjacent lead and cause a short. Plug the connector into the receptacle J4 on the printed circuit board.

The selected tone plays when the siren is powered up and the remote activation contacts are closed.

For proper operation of the remote activating circuit, the total loop resistance of the GND wire plus the resistance of the tone terminal wire plus the dry-contact resistance of the circuit should not exceed 1000 ohms.

By connecting a dry set of contacts for each of the three tones, any one tone can be activated by closing the appropriate contact:

## ***Installation and Maintenance Instructions***

---

- If the contact closures are simultaneously applied to all tone terminals, the HORN tone will override the other two tones.
- If the contact closures are applied to the HORN tone and any other tone, HORN overrides the other tone.
- If the contact closures are applied to WAIL and YELP, the WAIL tone overrides the YELP tone.

### **Wiring for Single Tone Activation at Power-Up**

Make sure that operating power to the siren is off.

The siren can be operated by switching operating power (AC or 24 Vdc) ON to the siren if a permanent short-wire jumper is installed between GND and the desired tone terminal of the four-position connector plug instead of the dry-contact closure.

Connect a 1-inch-long 22 AWG wire between GND and the desired tone terminal of the four-position connector plug supplied with the siren. Plug the connector into the J4 receptacle (see Figure 1 on page 8) on the printed circuit board. Switching ON the operating power will now activate the siren.

### **Getting Repair Service or Technical Assistance**

Products returned for repair require a Return Authorization form from your local distributor or from Federal Signal. To obtain repair service or technical assistance from Federal Signal, call 708-534-4756 or 877-289-3246.

For instruction manuals and information on related products, visit: <http://www.federal-signal-indust.com>.

## **Safety Message to Maintenance Personnel**

Listed below are some important safety instructions and precautions you should follow:

- Read and understand all instructions before performing any maintenance to this unit.
- To reduce the risk of electrical shock or ignition of hazardous atmospheres, do not perform maintenance/service on this device when circuits are energized.
- Optimum sound distribution will be reduced if speaker becomes clogged with a foreign substance. Periodic checks should be performed to ensure foreign substances are not packed into the speaker.
- Any maintenance to the unit **MUST** be performed by a trained electrician in accordance with NEC Guidelines and local codes.
- Never alter the unit in any manner. Safety in hazardous locations may be endangered if additional openings or alterations are made in units specifically designed for use in these locations.
- The nameplate, which may contain cautionary or other information of importance to maintenance personnel, should not be obscured if exterior of housings used in hazardous locations are painted.

Failure to follow all safety precautions and instructions may result in property damage, serious injury, or death.

## **Ordering Replacement Parts**

Typical spare parts are listed in Table 3 on page 16. To order replacement parts, please call Federal Signal Customer Support at 708-534-4756 or 877-289-3246.

**Table 3** Replacement parts

<b>Description</b>	<b>Part Number</b>
Board Assembly	K2005110
Connector Plug, 4-Position	K140340
Adapter (Beige)	K8476121
Gasket	K8476121-04
Speaker Assembly	K8504002

### **Returning the Product for Credit**

Product returns for credit require a return authorization from your local distributor prior to returning the product to Federal Signal. Please contact your distributor for assistance.

A product is qualified to be returned for credit when the following conditions are met:

- Product is resalable and in the original cartons
- Product has not been previously installed
- Product is the current revision
- Product has not been previously repaired
- Product is a standard product
- Product is not a service part

All returns are subject to a re-stock fee.

Defective products that are returned within the warranty period will be repaired or replaced at Federal Signal’s sole discretion. Defective products do not include those products with lamp failure.

Circumstances other than those listed above will be addressed on a case-by-case basis.



## Contenu

<b>Messages de sécurité destinés aux installateurs .....</b>	<b>21</b>
<b>Déballage de la sirène.....</b>	<b>22</b>
<b>Aperçu de la sirène SST3-MV .....</b>	<b>22</b>
<b>Installation de la sirène .....</b>	<b>24</b>
Installation étanche sur une boîte WB.....	24
Installation sur une surface ou un mur .....	25
Installation sur un conduit dissimulé .....	26
<b>Branchement de l'alimentation à la sirène .....</b>	<b>28</b>
Avec alimentation CA .....	28
Fonctionnement en 24 Vcc .....	29
<b>Câblage pour déclenchement à distance .....</b>	<b>29</b>
<b>Câblage pour déclenchement d'une seule tonalité et mise sous tension .....</b>	<b>31</b>
<b>Service de réparation ou assistance technique .....</b>	<b>31</b>
<b>Message de sécurité destiné au personnel d'entretien .....</b>	<b>31</b>
<b>Commander des pièces de rechange .....</b>	<b>32</b>
<b>Renvoi du produit pour obtention d'un crédit.....</b>	<b>33</b>

**Figures**

**Figure 1** Installation sur une boîte WB..... 25

**Figure 2** Installation sur une boîte NBL ou NBL..... 26

**Figure 3** Installation sur un conduit dissimulé..... 27

**Figure 4** Réglages sur la carte de circuits imprimés de la sirène .... 29

**Tableaux**

**Tableau 1** Contenu de l'ensemble ..... 23

**Tableau 2** Caractéristiques techniques..... 23

**Tableau 3** Pièces de rechange ..... 32

## **Messages de sécurité destinés aux installateurs**

### **⚠️ AVERTISSEMENT**

Bien suivre toutes les instructions fournies avec ce produit. Cet appareil doit être installé par un électricien qualifié qui connaît parfaitement le Code national de l'électricité ou le Code canadien de l'électricité et suivra leurs directives, ainsi que des codes locaux.

La détermination d'un emplacement pour le montage de l'appareil, ses commandes et l'acheminement du câblage doivent être exécutés sous la direction de l'ingénieur des installations et de l'ingénieur de la sécurité. De plus, d'autres précautions et instructions importantes relatives à la sécurité et à observer figurent dans la liste ci-dessous :

- Bien lire et comprendre toutes les instructions avant d'installer ou d'utiliser cet appareil.
- Ne pas brancher cet appareil au système lorsque ce dernier est sous tension.
- La répartition sonore sera considérablement réduite si des objets se trouvent devant le haut-parleur. Faire en sorte que cet emplacement soit dégagé.
- Tous les haut-parleurs d'avertissement efficaces produisent des sons forts susceptibles, dans certaines situations, d'entraîner une perte auditive permanente. Prendre les précautions qui s'imposent, par exemple, en portant un dispositif de protection antibruit.
- Tous les haut-parleurs d'avertissement efficaces produisent des sons forts susceptibles, dans certaines situations, d'entraîner une perte auditive permanente. L'appareil doit être installé suffisamment loin des auditeurs potentiels afin de réduire le risque d'exposition tout en restant efficace. La norme sur le bruit (1910.95) du Code of Federal Regulations de l'OSHA donne des directives pouvant servir de référence en matière de degré acceptable d'exposition au bruit.

## ***Instructions d'installation et d'entretien***

---

- Établir une procédure de vérification régulière de l'activation et du bon fonctionnement du système sonore.
- Remettre une copie de ces instructions à l'ingénieur de la sécurité, aux opérateurs et au personnel d'entretien.
- Ranger ces instructions en lieu sûr et les consulter lors de l'entretien ou de la réinstallation de l'appareil.

Le non-respect de toutes les précautions et instructions de sécurité peut provoquer des dommages à la propriété, des blessures graves voire la mort.

## **Déballage de la sirène**

Après avoir déballé la sirène, l'inspecter pour vérifier qu'aucun dommage n'est survenu lors du transport. Si elle est endommagée, ne pas essayer de l'installer ou de l'utiliser. Déposer immédiatement une réclamation auprès du transporteur en précisant l'étendue des dégâts. Vérifier avec soin toutes les enveloppes, étiquettes d'expédition et autres étiquettes avant de les retirer ou de les détruire. En cas de pièces manquantes, communiquer avec le Service à la clientèle de Federal Signal au 708-534-4756 ou au 877-289-3246. La mise au rébus de tout matériel de transport doit être effectuée conformément aux normes et codes locaux et nationaux.

## **Aperçu de la sirène SST3-MV**

Le modèle SST3-MV de Federal Signal est une sirène électronique qui produit trois tonalités puissantes. Il est équipé d'un système d'amplification interne et des circuits nécessaires pour produire une tonalité plaintive, une tonalité glapissante et une tonalité de corne d'appel. Chaque tonalité est activée manuellement à distance.

La sirène SST3-MV fonctionne en 24 Vcc, 120 Vca ou 240 Vca. Son boîtier NEMA 3R (avec boîtier de fixation) est en plastique ASA (acrylonitrile-styrène-acrylique) antichocs et résistant aux UV, ce qui permet de l'utiliser à l'extérieur comme à l'intérieur.

## Instructions d'installation et d'entretien

Sa base pivotante omnidirectionnelle permet de le diriger vers n'importe quel point d'un demi-cercle de 360 degrés.

Autonome et puissante, la sirène SST3-MV peut être utilisée chaque fois qu'un avertissement sonore à tonalités multiples est nécessaire, sans transmission de la voix. Il est le plus souvent utilisé pour signaler une alarme, le début et la fin d'un événement, un incendie, une alerte et un ordre d'évacuation.

**Tableau 1** Contenu de l'ensemble

Qté	Description	Numéro de pièce
1	Adaptateur	K8476121-04
1	Joint d'étanchéité, adaptateur	K847602952A
1	Fiche de connexion, 4 positions	K140340
1	Fiche de connexion, sélecteur de tonalité	K140389-04

**Tableau 2** Caractéristiques techniques

Tension de fonctionnement :	120-240 Vca, 50-60 Hz, 24 Vcc	
Courant de fonctionnement :	<b>Tension</b>	<b>Courant</b>
	120 Vca	210 mA
	240 Vca	120 mA
	24 Vcc	600 mA
Sortie du son :	<b>dB(A) à 10 pi dans l'axe</b>	<b>dB(A) classification UL</b>
Plaintif	109.5	100
Glapissant	111	100
Corne d'appel	107	94
Poids (approx.) :	2,173 kg (4,4 lb)	
Dimensions (H, l, P) :	36,83 mm x 30,48 mm x 22,86 mm (14,5 po x 12 po x 9 po)	

## **Installation de la sirène**

Le modèle SST3-MV peut être fixé sur n'importe quelle surface relativement plate ou sur divers boîtes électriques murales. Une fiche à 4 positions est fournie pour le branchement électrique. En outre, deux vis mécaniques fendues 8-32 de 3-1/4 po sont prévues pour fixer l'appareil à une boîte électrique carré de 10 cm (4 po) de côté.

Une fois la méthode d'installation et l'endroit choisis, suivre les procédures sur la section correspondante ci-dessous. Pour une question de clarté, le haut-parleur de la sirène SST3-MV n'est pas illustré dans les schémas.

Le haut-parleur et sa base peuvent être orientés selon trois angles, ce qui permet de choisir le schéma de diffusion du son. Le réglage de l'angle s'effectue grâce à des boulons serrés à la main et dont le faible couple de serrage suffit pour maintenir la position de l'appareil.

En cas d'installation à l'extérieur, vérifier que la gouttière de la base pivotante est orientée de manière à protéger l'entrée du câble du haut-parleur contre la pluie.

### **⚠ AVERTISSEMENT**

**ROBUSTESSE DU SUPPORT POUR L'INSTALLATION DE LA BOÎTE** – *Toujours prévoir un support suffisant pour accueillir la boîte servant à installer la sirène. Le non-respect de cette précaution peut entraîner des dégâts matériels, des blessures graves et même la mort.*

### **Installation étanche sur une boîte WB**

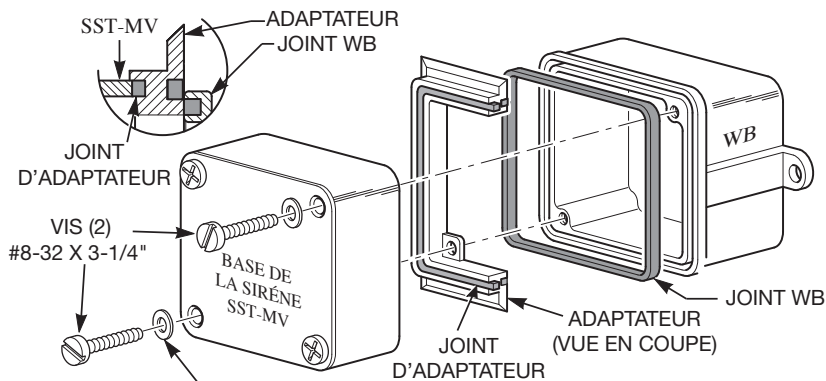
Pour installer la sirène sur une boîte WB :

1. Consulter la figure 1. Insérer les deux vis mécaniques à tête cylindrique bombée 8-32 de 3-1/4 po dans deux angles opposés de la base de la sirène.
2. Retirer le blanc papier éteint l'adaptateur joint à exposer adhésif support. Placer le deux adaptateurs joints sur l'un ou l'autre côtés de la adaptateur dans des rainures. Placer le adaptateur avec le installé joints au dessus de des vis inséré dans étape 1.

3. Fixer la base de la sirène SST3-MV avec l'adaptateur dans la boîte WB à l'aide des vis à tête cylindrique, comme illustré à la figure 1.

**Figure 1** Installation sur une boîte WB

**DÉTAIL DU MONTAGE**



RONDELLE D'ÉTANCHÉITÉ (2): LATÉRALES EN CAOUTCHOUC  
DES DEUX RONDELLES DOIVENT POINTER VERS LA BASE

290A7367

FRANCAIS

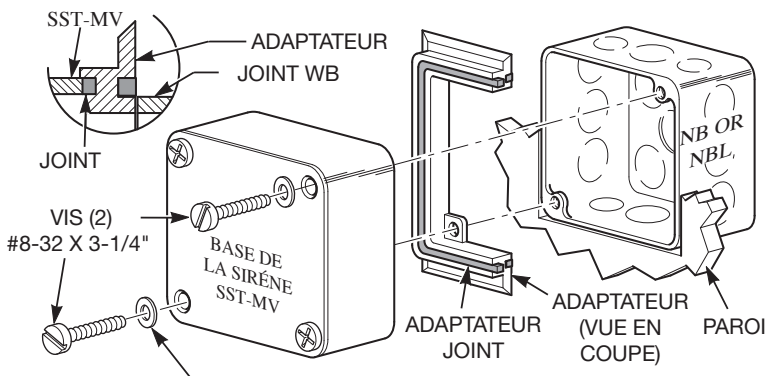
**Installation sur une surface ou un mur**

Pour installer la sirène SST3-MV sur une surface ou une surface à l'aide d'une boîte NB ou NBL, il faut utiliser l'adaptateur, le joint d'étanchéité de l'adaptateur et les vis à tête cylindrique 8-32 de 3-1/4 po.

1. Consulter la figure 2, page 26. Insérer les deux vis fendues à tête cylindrique bombée 8-32 de 3-1/4 po dans deux angles opposés de la base de la sirène.
2. Retirer le blanc papier éteint l'adaptateur joint à exposer adhésif support. Placer le deux adaptateurs joints sur l'un ou l'autre côtés de la adaptateur dans des rainures.  
Placer le adaptateur avec le installé joints au dessus de des vis inséré dans étape 1.
3. Fixer la base de la sirène SST3-MV avec l'adaptateur dans la boîte NB ou NBL à l'aide des vis à tête cylindrique, comme illustré à la figure 2.

**Figure 2** Installation sur une boîte NBL ou NBL

**DÉTAIL DU MONTAGE**



RONDELLE D'ÉTANCHÉITÉ (2): LATÉRALES EN CAOUTCHOUC  
DES DEUX RONDELLES DOIVENT POINTER VERS LA BASE

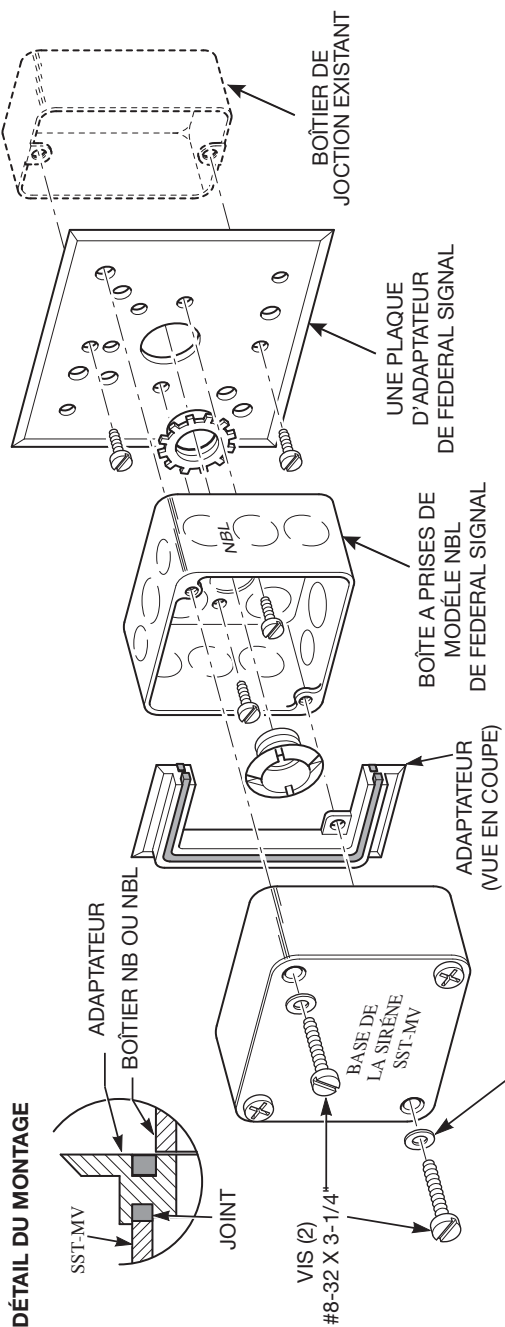
290A7368

**Installation sur un conduit dissimulé**

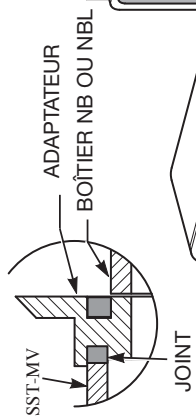
L'installation sur un conduit dissimulé est illustrée à la figure 3, page 27. Cette méthode est conseillée lorsqu'il est impossible d'installer la sirène SST3-MV sur la boîte de jonction ou sur une boîte accessible. Pour ce type d'installation, il faut une boîte à prises de modèle NBL de Federal Signal et une plaque d'adaptateur. L'ensemble pour installation dissimulée contient une paire de vis à tête plate 6-32 et 8-32 qui serviront à fixer la plaque à la boîte déjà en place. Deux vis à tête ronde 10-32 de 1/4 po sont prévues pour fixer la boîte NBL à la plaque. Une traversée isolée est également fournie pour protéger les fils électriques qui passent par l'entrée défonçable au centre de la boîte NBL.



290047369



**DÉTAIL DU MONTAGE**



RONDELLE D'ÉTANCHÉITÉ (2): LATÉRALES EN CAOUTCHOUC DES DEUX RONDELLES DOIVENT POINTER VERS LA BASE

## **Branchement de l'alimentation à la sirène**

### **⚠ AVERTISSEMENT**

**RISQUE DE DÉCHARGE ÉLECTRIQUE** — *Pour éviter les décharges électriques, ne pas brancher les fils lorsque l'appareil est sous tension. Le non-respect de cet avertissement peut entraîner des blessures graves et même la mort.*

### **AVIS**

**CHOIX DU CALIBRE DE FIL** — *N'utiliser que du fil de 12 ou 18 pour alimenter l'appareil. Ne pas dénuder les fils sur plus de 6,3 mm (0,25 po) à leur extrémité.*

Choisir l'alimentation en CA ou en CC. Ne pas tenter pas de faire marcher la sirène en la branchant sur le CA et sur le CC en même temps.

### **Avec alimentation CA**

Pour brancher l'alimentation CA à la sirène :

- 1 Couper l'alimentation à la sirène.
2. Consulter la figure 4. Si la sirène doit être alimentée en CA, placer le commutateur de tension SW1 de la sirène sur la tension souhaitée.
3. Brancher les fils d'alimentation CA aux bornes 120-240 Vca de la fiche de connexion à 4 positions fournie avec la sirène en y entrant le loin plus possible l'extrémité dénudée des fils. Veiller à ce que l'isolant du fil arrive jusqu'au connecteur.

**REMARQUE :** En cas d'utilisation d'un fil multibrin, vérifier qu'aucun brin ne sort de la fiche de connexion et ne peut toucher le fil voisin, ce qui provoquerait un court-circuit.

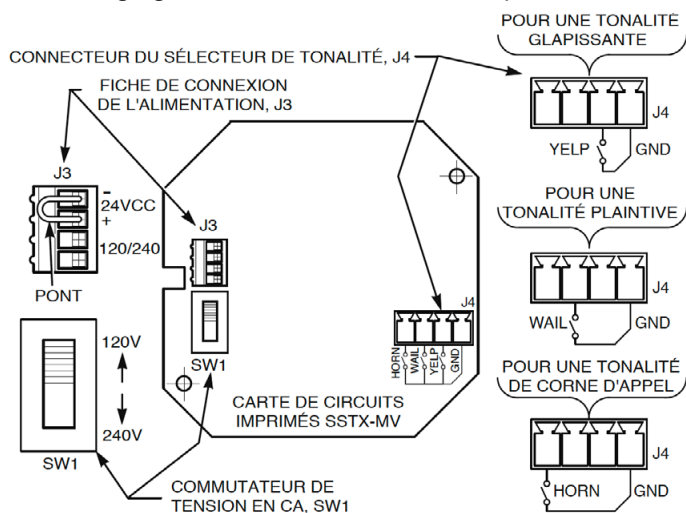
4. Brancher le connecteur dans la prise se trouvant sur la carte de circuits imprimés

## **Fonctionnement en 24 Vcc**

Pour brancher l'alimentation en 24 Vcc à la sirène :

1. Couper l'alimentation à la sirène.
2. Consulter la figure 4. Pour un fonctionnement en 24 Vcc, retirer le cavalier à fil court (installé à la section « Câblage pour déclenchement d'une seule tonalité et mise sous tension », page 31).
3. Brancher le fil positif à la borne (+) et le fil négatif à la borne (-) du connecteur à 4 positions.

**Figure 4** Réglages sur la carte de circuits imprimés de la sirène



## **Câblage pour déclenchement à distance**

Couper l'alimentation à la sirène.

Voir la figure 1, page 25. Poser une fermeture à contact sec sur la fiche J4 entre la borne de terre (GND) et l'une des bornes correspondant aux tonalités (marquées WAIL, YELP, HORN).

Utiliser des câbles blindés de 18 à fils torsadés. Ne pas dénuder les fils sur plus de 6,3 mm (0,25 po) à leur extrémité afin de relier

## ***Instructions d'installation et d'entretien***

---

la borne à contact sec GND à l'une des bornes WAIL, YELP ou HORN de la fiche de connexion à 4 positions fournie avec la sirène, afin de pouvoir déclencher l'alarme sonore à distance .  
Veiller à ce que l'isolant du fil arrive jusqu'au connecteur. En cas d'utilisation d'un fil multibrin, vérifier qu'aucun brin ne sort de la fiche de connexion et peut toucher le fil voisin, ce qui entraînerait un court-circuit. Brancher le connecteur dans la prise J4 de la carte de circuits imprimés.

La tonalité choisie se fait entendre lorsque la sirène est allumée et les contacts de déclenchement à distance sont fermés.

Pour que le circuit de déclenchement à distance fonctionne correctement, la somme de la résistance de boucle totale du fil GND, de la résistance du fil de la borne de tonalité et de la résistance du contact sec du circuit ne doit pas dépasser 1000 ohms.

En reliant un ensemble de contacts secs à chacune des trois tonalités, il devient possible de les déclencher en fermant le contact correspondant :

- Si les fermetures de contact sont appliquées en même temps à toutes les bornes de tonalité, la tonalité Corne d'appel (HORN) a la priorité sur les deux autres.
- Si les fermetures de contact sont appliquées en même temps à la tonalité Corne d'appel (HORN) et à une autre tonalité, la première a la priorité sur la deuxième.
- Si les fermetures de contact sont appliquées en même temps à la tonalité Plaintive (WAIL) et Glapissante (YELP), la tonalité WAIL a la priorité sur la tonalité YELP.

## **Câblage pour déclenchement d'une seule tonalité et mise sous tension**

Couper l'alimentation à la sirène.

Il est possible de déclencher la sirène lors de la mise sous tension (ON, Ca ou 24 Vcc) en installant de manière permanente un cavalier à fil court entre la borne GND et la borne de la tonalité choisie de la fiche de connexion à 4 positions plutôt qu'une fermeture à contact sec.

Brancher un fil 22 de 2,5 cm (1 po) entre la borne GND et la borne de la tonalité choisie de la fiche de connexion à 4 positions fournie avec la sirène. Brancher le connecteur dans la prise J4 de la carte de circuits imprimés (voir figure 1, page 25). Désormais, lorsque la sirène sera sous tension (ON), elle se déclenchera.

## **Service de réparation ou assistance technique**

Les produits renvoyés pour réparation doivent être accompagnés d'un formulaire d'autorisation de renvoi par le distributeur local ou par Federal Signal. Pour l'entretien du produit ou assistance technique par Federal Signal, communiquer avec nous au 708-587-3587 ou 800-755-7621. Pour les manuels d'instructions et d'informations sur les produits connexes, aller à : <http://www.fedsig.com>

## **Message de sécurité destiné au personnel d'entretien**

Les précautions et instructions de sécurité à suivre sont listées ci-dessous :

- Bien lire et comprendre toutes les instructions avant d'installer ou d'utiliser cet appareil.
- Pour réduire les risques de décharge électrique ou d'inflammation d'atmosphère dangereuse, ne pas entretenir ni dépanner cet appareil lorsque ses circuits sont alimentés.
- La bonne répartition sonore sera compromise si le haut-

## **Instructions d'installation et d'entretien**

---

parleur est obstrué par des corps étrangers. Des vérifications périodiques permettront de vérifier qu'aucune substance ne s'y trouve.

- Tout entretien de l'appareil DOIT être exécuté par un technicien formé conformément aux directives du CNE ainsi qu'aux codes locaux.
- Ne jamais modifier cet appareil de quelque façon que ce soit. Le fait de ménager d'autres ouvertures ou d'apporter d'autres modifications à des appareils spécialement conçus pour des endroits dangereux peut compromettre la sécurité.
- Si le boîtier extérieur est peint, veiller à ce que la plaque signalétique ne soit pas masquée, car elle comporte des avertissements et d'autres données importantes pour le personnel d'entretien.

Le non-respect de toutes les précautions et instructions de sécurité peut provoquer des dommages à la propriété, des blessures graves voire la mort.

### **Commander des pièces de rechange**

Les pièces de rechange courantes sont énumérées au tableau 3. Pour commander des accessoires et pièces de rechange, communiquer avec Federal Signal au 708-534-4756 ou 800-344-4634.

**Tableau 3** Pièces de rechange

<b>Description</b>	<b>Numéro de pièce</b>
Circuit imprimé	K2005110
Fiche de connexion, 4 positions	K140340
Adaptateur (beige)	K8476121
Joint statique	K8476121-04
Haut-parleur	K8504002

## **Renvoi du produit pour obtention d'un crédit**

Les produits renvoyés doivent être accompagnés d'une autorisation de renvoi accordée par le distributeur local avant l'envoi chez Federal Signal. Communiquer avec le distributeur pour obtenir de l'aide.

Un produit peut être renvoyé avec obtention d'un crédit si les conditions suivantes sont remplies :

- Le produit est revendable puis est renvoyé dans son emballage d'origine
- Le produit n'a pas encore été installé
- Le produit est le modèle le plus récent
- Le produit n'a jamais été réparé
- Le produit est un produit standard
- Le produit n'est pas une pièce détachée

Tous les renvois de produits font l'objet de frais de restockage.

Les produits défectueux renvoyés au cours de la période de garantie seront réparés ou remplacés à la seule discrétion de Federal Signal. Les produits dont la lampe est défectueuse ne sont pas considérés comme des produits défectueux.

Toute demande autre que celles citées ci-dessus sera examinée au cas par cas.



2645 Federal Signal Drive  
University Park, IL 60484-3167

[www.fedsig.com](http://www.fedsig.com)

Assistance clientèle: 1 800-344-4634 • 1 708-534-4756

Assistance technique: 1 800-524-3021 • 1 708-587-3587

## Contenido

<b>Mensajes de seguridad para los instaladores .....</b>	<b>39</b>
<b>Desembalaje de la sirena.....</b>	<b>40</b>
<b>Descripción general de la sirena modelo SST3-MV .....</b>	<b>40</b>
<b>Montaje de la sirena .....</b>	<b>42</b>
Montaje impermeable en la caja WB .....	42
Montaje en superficie o pared .....	43
Montaje en conducto oculto .....	44
<b>Conexión de la corriente eléctrica de la sirena .....</b>	<b>46</b>
Para funcionamiento con CA .....	46
Para funcionamiento a 24 VCC .....	47
<b>Cableado para activación de tono remoto .....</b>	<b>47</b>
<b>Cableado para activación de tono único en el encendido .....</b>	<b>48</b>
<b>Servicio de reparación y asistencia técnica .....</b>	<b>49</b>
<b>Mensaje de seguridad al personal de mantenimiento .....</b>	<b>49</b>
<b>Cómo devolver el producto para obtener crédito .....</b>	<b>50</b>



**Figuras**

**Figura 1** Montaje con la caja WB..... 43

**Figura 2** Montaje con una caja NB o NBL ..... 44

**Figura 3** Montaje en conducto oculto ..... 45

**Figura 4** Ajustes de la PCB de la sirena ..... 47

**Cuadros**

**Cuadro 1** Contenidos del equipo ..... 41

**Cuadro 2** Especificaciones ..... 41

**Cuadro 3** Piezas de repuesto ..... 50

## **Mensajes de seguridad para los instaladores**

### **⚠️ ADVERTENCIA**

Es importante seguir todas las instrucciones enviadas con este producto. Este dispositivo debe ser instalado por un técnico electricista que conozca en detalle el Código Eléctrico Nacional (NEC, por su sigla en inglés)/Código Eléctrico Canadiense (CEC, por su sigla en inglés) y que siga los lineamientos del NEC/CEC y todos los códigos locales.

La selección del lugar de montaje del dispositivo, sus controles y la colocación del cableado deben realizarse bajo la dirección del ingeniero de la planta y del ingeniero de seguridad. Asimismo, a continuación se incluyen algunas instrucciones y precauciones importantes de seguridad que debe seguir:

- Lea atentamente todas las instrucciones antes de instalar o poner en funcionamiento este equipo.
- No conecte esta unidad al sistema cuando esté encendido.
- La distribución óptima del sonido se verá seriamente reducida si hay objetos delante del altavoz. Usted debe asegurarse de que el frente del altavoz esté libre de obstrucciones.
- Todos los altavoces de advertencia eficaz producen sonidos fuertes que pueden ocasionar, en ciertas situaciones, la pérdida permanente de la audición. Debe tomar las precauciones apropiadas, tales como usar protección auditiva.
- Todos los altavoces de advertencia eficaz producen sonidos fuertes que pueden ocasionar, en ciertas situaciones, la pérdida permanente de la audición. El dispositivo debe ser instalado a una distancia suficiente de las personas que potencialmente puedan escucharlo para limitar su exposición y al mismo tiempo mantener su efectividad. La Norma sobre Ruidos del Código de Reglamentaciones Federales 1910.95 de la Administración de Seguridad y Salud Ocupacional proporciona lineamientos que pueden usarse con respecto a los niveles permitidos de exposición al ruido.

- Establezca un procedimiento para verificar periódicamente si el sistema de sonido se activó y si funciona como es debido.
- Entregue una copia de estas instrucciones al ingeniero de seguridad, a los operadores y al personal de mantenimiento.
- Conserve estas instrucciones en un lugar seguro y consúltelas cuando realice tareas de mantenimiento o vuelva a instalar el dispositivo.

Si no se siguen todas estas precauciones e instrucciones de seguridad, pueden producirse daños materiales, lesiones graves o incluso la muerte.

### **Desembalaje de la sirena**

Después de desembalar el modelo SST3-MV, examínelo para detectar daños que puedan haberse producido durante el tránsito. Si la sirena se ha dañado, no intente instalarla ni ponerla en funcionamiento. Presente un reclamo de inmediato al transportista que indique el alcance de los daños.

Con cuidado, inspeccione todos los sobres, las etiquetas de envío y los rótulos antes de retirarlos o descartarlos. Si falta alguna pieza, comuníquese con el Servicio de Asistencia al Cliente de Federal Signal llamando al 708-534-4756 o 877-289-3246. El desecho de todos los materiales de envío debe realizarse de acuerdo con los códigos y las normas nacionales y locales.

### **Descripción general de la sirena modelo SST3-MV**

El modelo SST3-MV de Federal Signal es una sirena electrónica que produce tres tonos diferentes de altos decibeles. Contiene amplificación interna y el circuito necesario para producir sirena, tono agudo y bocina. Cada tono se activa manualmente desde un punto remoto.

El SST3-MV funciona a 24 VCC, 120 VCA o 240 VCA. La carcasa NEMA 3R (con caja posterior) se moldea con plástico ASA (acrílico-estireno-acrilonitrilo) resistente al impacto, por lo que la vuelve resistente a la luz ultravioleta e ideal para uso en interiores y exteriores. El sistema de montaje oscilante

## **Instrucciones de instalación y mantenimiento**

---

omnidireccional permite que la salida se apunte a cualquier lugar dentro de una media esfera de 360 °C.

El modelo SST3-MV puede usarse como dispositivo de advertencia sonora independiente de alta salida en cualquier aplicación en que se necesiten varios tonos, pero en que no se requiere la búsqueda por voz. Entre las aplicaciones típicas, se encuentran advertencia de emergencia, inicio y despedida, alarma de incendios, alarma general y evacuación.

**Cuadro 1** Contenidos del equipo

<b>Cant.</b>	<b>Descripción</b>	<b>Número de pieza</b>
1	Adaptador	K8476121-04
1	Junta, adaptador	K847602952A
1	Enchufe conector, 4 posiciones	K140340
1	Enchufe conector, selector de tonos	K140389-04

**Cuadro 2** Especificaciones

Voltaje de funcionamiento	120/240 VCA, 50/60 Hz, 24 VCC	
Corriente de funcionamiento:	<b>Voltaje</b>	<b>Corriente</b>
	120 VCA	210 mA
	240 VCA	120 mA
	24 VCC	600 mA
Salida de sonido:	<b>dB(A) a 10 pies en el eje</b>	<b>dB(A) UL Rating</b>
Sirena	109,5	100
Tono agudo	111	100
Bocina	107	94
Peso (aproximado):	4,4 libras (2,173 kg)	
Dimensiones (alto x ancho x profundidad):	14,5 pulgadas x 12 pulgadas x 9 pulgadas (36,83 mm x 30,48 mm x 22,86 mm)	

## **Montaje de la sirena**

El modelo SST3-MV puede instalarse en cualquier superficie relativamente plana o en una variedad de cajas eléctricas de pared. Se incluye un enchufe de cuatro posiciones para la conexión eléctrica. Asimismo, se incluyen dos tornillos para metales ranurados n.º 8-32 de 3-1/4 pulgadas para sujetar la unidad a una caja eléctrica cuadrada de cuatro pulgadas.

Después de seleccionar el método y la ubicación de montaje, siga el procedimiento en la sección correspondiente a continuación.

Para obtener mayor claridad, la porción del altavoz del SST3-MV no se muestra en las ilustraciones.

El altavoz y la unidad de la base ofrecen tres grados de libertad, lo que permite que la bocina se oriente para cualquier patrón de cobertura deseado. El ángulo se ajusta con tuercas ajustadas a mano que requieren una torsión mínima para mantener la posición de la bocina.

Cuando el montaje es en el exterior, asegúrese de que la protección contra lluvia que se encuentra en la base giratoria se oriente para proteger contra la lluvia la abertura para cables en el altavoz.

### **⚠ ADVERTENCIA**

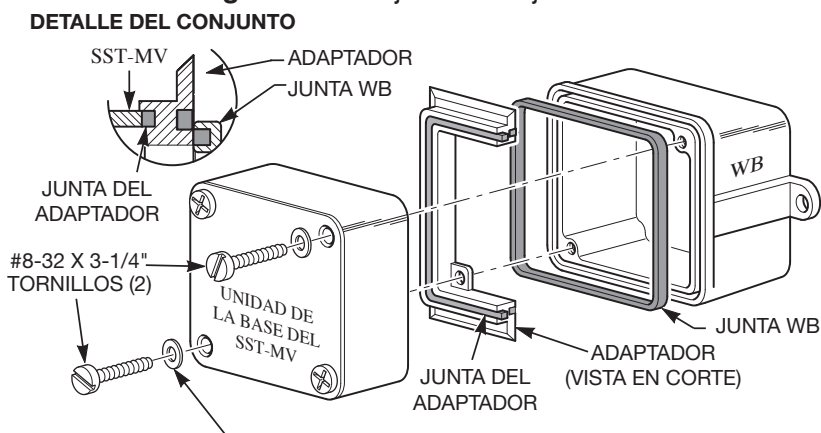
***SOPORTE SUFICIENTE PARA LA CAJA DE MONTAJE:***  
***Proporcione siempre suficiente soporte para las cajas de montaje usadas para montar la bocina. De lo contrario, pueden producirse daños materiales, lesiones graves o incluso la muerte.***

### ***Montaje impermeable en la caja WB***

Para montar la sirena con la caja WB:

1. Consulte la Figura 1. Inserte los dos tornillos de cabeza plana ranurados n.º 8-32 de 3-1/4 pulgadas en la base del SST3-MV, en esquinas opuestas.

**Figura 1** Montaje con la caja WB



ARANDELA DE SELLADO (2): LADO DE AMBAS ARANDELAS DE GOMA DEBE ESTAR DIRIGIDO HACIA LA BASE

290A7367

2. Retire el blanco papel fuera el adaptador junta a exponer el adhesivo soporte. Colocar los dos adaptadores juntas en cualquiera lados de la adaptador en surcos. Colocar el adaptador con el instalado juntas sobre el empulgueras insertado en paso 1.
3. Sujete la unidad de la base/adaptador del SST3-MV en la caja WB con los tornillos de cabeza plana como se muestra en la Figura 1.

### **Montaje en superficie o pared**

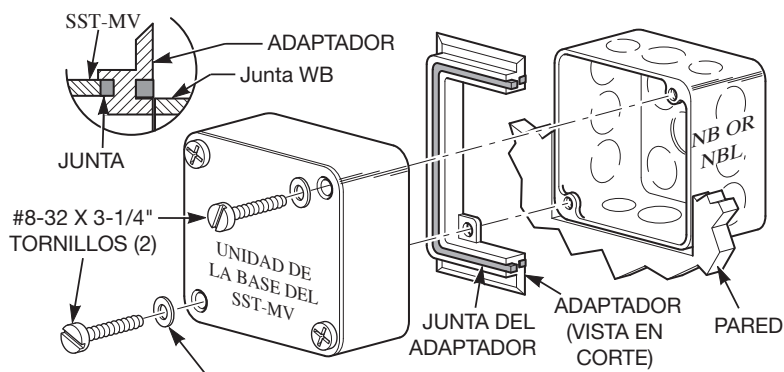
El montaje en superficie o pared del SST3-MV en una caja NB o NBL requiere el adaptador, la junta del adaptador y los tornillos de cabeza plana n.º 8-32 de 3-1/4 pulgadas.

1. Consulte la Figura 2. Inserte los dos tornillos de cabeza plana ranurados n.º 8-32 de 3-1/4 pulgadas en la base del SST3-MV, en esquinas opuestas.
2. Retire el blanco papel fuera el adaptador junta a exponer el adhesivo soporte. Colocar los dos adaptadores juntas en cualquiera lados de la adaptador en surcos. Colocar el adaptador con el instalado juntas sobre el empulgueras insertado en paso 1.

3. Sujete la unidad de la base/adaptador del SST3-MV en la caja NB o NBL con los tornillos de cabeza plana como se muestra en la Figura 2.

**Figura 2** Montaje con una caja NB o NBL

**DETALLE DEL CONJUNTO**



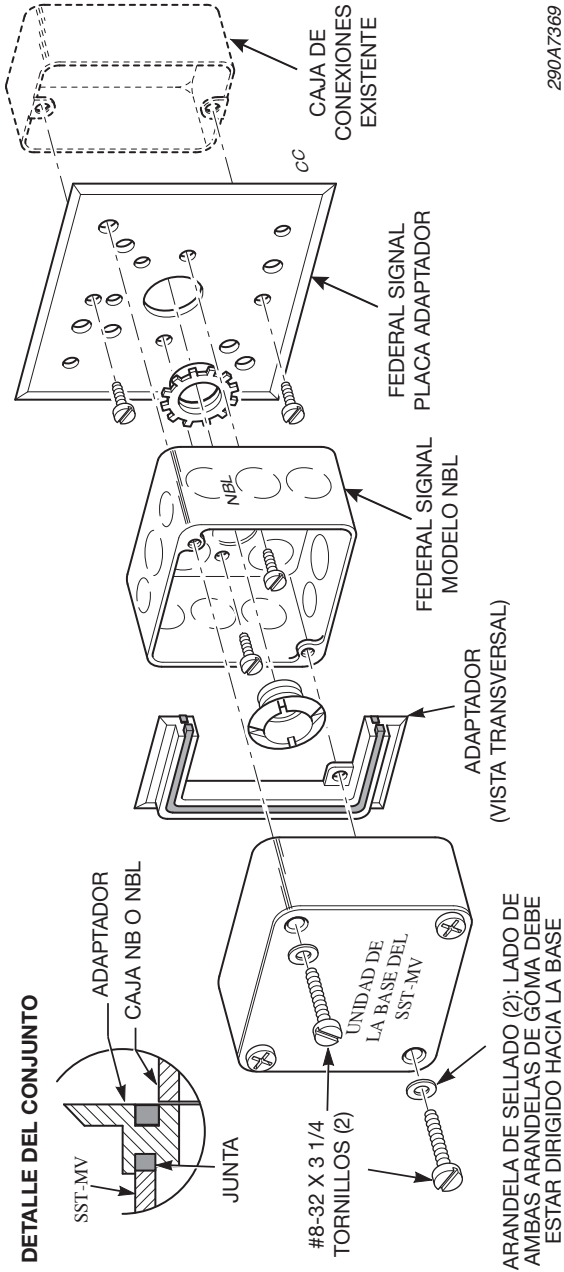
ARANDELA DE SELLADO (2): LADO DE AMBAS ARANDELAS DE GOMA DEBE ESTAR DIRIGIDO HACIA LA BASE BASE

290A7368

### **Montaje en conducto oculto**

El método de montaje en conducto oculto se muestra en la Figura 3 de la página 45. Este método de montaje se recomienda cuando una caja de conexiones o terminales existentes no tiene tamaño suficiente para el modelo SST3-MV. Para este tipo de montaje, se requiere una caja de salida Federal Signal modelo NBL y una placa adaptadora. Se incluye un par de tornillos de cabeza plana n.º 6-32 y n.º 8-32 con el equipo de montaje oculto para sujetar la placa a la caja existente. Se suministran dos tornillos de cabeza redonda n.º 10-32 de 1/4 pulgadas para sujetar la caja NBL a la placa. También se suministra un casquillo aislado para proteger los cables eléctricos que pasan por el orificio precortado central de la caja NBL.

Figura 3 Montaje en conducto oculto





## **Conexión de la corriente eléctrica de la sirena**

### **⚠ ADVERTENCIA**

**RIESGO DE DESCARGA ELÉCTRICA:** *Para evitar riesgos de descarga eléctrica, no conecte los cables mientras se recibe corriente. Si no se sigue esta advertencia, pueden producirse lesiones graves o incluso la muerte.*

### **AVISO**

**CALIBRE DE CABLE APROPIADO:** *Use solo cable 12 a 18 AWG para la conexión de corriente eléctrica. Pele no más de 0,25 pulgadas (6 mm) de aislamiento del cable desde los extremos de los conductores de alimentación.*

Seleccione funcionamiento con corriente CA o CC. No intente hacer funcionar la sirena conectando las fuentes de alimentación de CA y CC al mismo tiempo.

### **Para funcionamiento con CA**

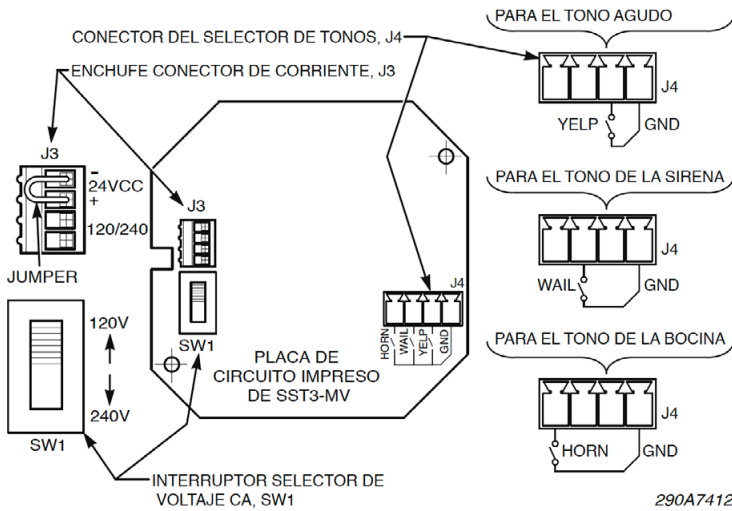
Para conectar la corriente CA a la sirena:

1. Verifique que la corriente de la sirena esté desconectada.
2. Consulte la Figura 4. Si la sirena debe funcionar desde una fuente de CA, configure el interruptor selector de voltaje SW1 que se encuentra en la PCB de la sirena en el voltaje de origen deseado.
3. Conecte los cables de corriente CA a los terminales de 120/240 VCA del enchufe conector de cuatro posiciones provisto con la sirena insertando los extremos pelados del cable en el conector hasta el máximo. Asegúrese de que el aislamiento del cable de alimentación quede al nivel del conector.

**NOTA:** Si usa cable trenzado, asegúrese de que no haya cables trenzados sueltos fuera del enchufe conector que podrían tocar el cable adyacente y causar un cortocircuito.

4. Enchufe el conector en el receptáculo provisto en la placa de circuito impreso.

Figura 4 Ajustes de la PCB de la sirena



### Para funcionamiento a 24 VCC

Para conectar la corriente de 24 VCC a la sirena:

1. Verifique que la corriente de la sirena esté desconectada.
2. Consulte la Figura 4. Para el funcionamiento a 24 VCC, retire el puente de cable corto (instalado en “Cableado para activación de tono único en el encendido” en la página 48).
3. Conecte el cable positivo al terminal (+) y el cable negativo al terminal (-) del conector de cuatro posiciones.

### Cableado para activación de tono remoto

Verifique que la corriente de la sirena esté desconectada.

Consulte la Figura 1 en la página 43. Aplique un cierre de contacto seco en el enchufe J4 entre el terminal de tierra (GND) y uno de los terminales de tono (SIRENA, TONO AGUDO, BOCINA).

Use cables blindados de par trenzado de 18 AWG. Pele no más de 0,25 pulgadas (6 mm) de aislamiento del cable desde los extremos de los conductores para conectar los terminales de contacto seco para la activación de tono de ubicación remota entre los terminales

GND [TIERRA] y WAIL [SIRENA], YELP [TONO AGUDO] o HORN [BOCINA] del enchufe conector de cuatro posiciones provisto con la sirena. Asegúrese de que el aislamiento del cable quede al nivel del conector. Si usa cable trenzado, asegúrese de que no haya cables trenzados sueltos fuera del enchufe conector que podrían tocar el cable adyacente y causar un cortocircuito. Enchufe el conector en el receptáculo J4 de la placa de circuito impreso.

El tono seleccionado se reproducirá cuando se encienda la sirena y se cierren los contactos de activación remota.

Para un funcionamiento apropiado del circuito de activación remota, la resistencia total del bucle del cable de tierra, la resistencia del cable del terminal de tono y la resistencia de contacto seco del circuito no deben exceder los 1000 ohmios.

Cuando se conecta un conjunto de contactos secos a cada uno de los tres tonos, cualquier tono único puede activarse cerrando el contacto apropiado.

- Si se aplican los cierres de contacto a todos los terminales de tono simultáneamente, el tono de BOCINA cancelará los otros dos tonos.
- Si se aplican los cierres de contacto al tono de BOCINA y a cualquier otro tono, la BOCINA cancela el otro tono.
- Si se aplican los cierres de contacto a la SIRENA y al TONO AGUDO, la SIRENA cancela el TONO AGUDO.

### **Cableado para activación de tono único en el encendido**

Verifique que la corriente de la sirena esté desconectada.

La sirena puede funcionar conmutando la corriente de funcionamiento (CA o 24 VCC) a la sirena si se instala un puente de cable corto permanente entre tierra [GND] y el terminal del tono deseado del enchufe conector de cuatro posiciones en lugar del cierre de contacto seco.

Conecte un cable de 22 AWG de 1 pulgada de largo entre tierra [GND] y el terminal del tono deseado del enchufe conector de cuatro posiciones provisto con la sirena. Enchufe el conector en el receptáculo J4 (consulte la Figura 1 en la página 42) de la placa de circuito impreso. Cuando se encienda la corriente de funcionamiento, se activará la sirena.

### **Servicio de reparación y asistencia técnica**

Los productos devueltos para su reparación requieren un Formulario de autorización de devolución de su distribuidor o de Federal Signal. Para obtener el servicio de reparación o asistencia técnica de Federal Signal, llame al 1-708-587-3587 o 1-800-755-7621. Para obtener manuales de instrucciones e información sobre los productos relacionados, visite <http://www.fedsig.com>

### **Mensaje de seguridad al personal de mantenimiento**

A continuación, se incluyen algunas precauciones e instrucciones de seguridad importantes que usted debe seguir:

- Lea atentamente todas las instrucciones antes de realizar tareas de mantenimiento en esta unidad.
- Para disminuir el riesgo de descarga eléctrica o la ignición de atmósferas peligrosas, no realice tareas de mantenimiento/servicio en este dispositivo cuando los circuitos están energizados.
- La distribución óptima del sonido se verá reducida si el altavoz queda obstruido con un objeto extraño. Deben realizarse inspecciones periódicas para garantizar que no haya objetos extraños dentro del altavoz.
- Todo mantenimiento de la unidad debe ser realizado por un técnico electricista de acuerdo con los lineamientos del NEC y los códigos locales.
- No altere nunca la unidad de ninguna forma. La seguridad en sitios peligrosos puede verse comprometida si se

realizan aberturas adicionales o alteraciones en unidades específicamente diseñadas para utilizarse en estas ubicaciones.

- La placa de identificación, que puede contener precauciones u otra información de importancia para el personal de mantenimiento, no debe quedar oculta si se pinta el exterior de las carcasas usadas en ubicaciones peligrosas.

Si no se siguen todas estas precauciones e instrucciones de seguridad, pueden producirse daños materiales, lesiones graves o incluso la muerte.

Los repuestos típicos se encuentran enumerados en la Cuadro 3. Para pedir accesorios y repuestos, llame a Federal Signal al 708-534-4756 o 800-344-4634.

**Cuadro 3** Piezas de repuesto

<b>Descripción</b>	<b>Número de pieza</b>
Unidad de la placa	K2005110
Enchufe conector, 4 posiciones	K140340
Adaptador (beis)	K8476121
Junta	K8476121-04
Unidad del altavoz	K8504002

### **Cómo devolver el producto para obtener crédito**

Las devoluciones de productos para obtener crédito requieren una autorización de devolución de su distribuidor local antes de devolver el producto a Federal Signal. Póngase en contacto con su distribuidor para obtener ayuda.

Un producto está calificado para ser devuelto para obtener un crédito cuando se cumplen los siguientes requisitos:

- El producto está en su empaque original y se puede revender
- El producto no se ha instalado anteriormente
- El producto es la versión actual

## ***Instrucciones de instalación y mantenimiento***

---

- El producto no se ha reparado anteriormente
- El producto es un producto estándar
- El producto no es una pieza de reparación

Todas las devoluciones están sujetas a una tasa de manejo de existencias.

Los productos defectuosos que son devueltos en el plazo de garantía serán reparados o reemplazados a criterio de Federal Signal. Los productos defectuosos no incluyen aquellos productos con fallas en la lámpara.

Otras circunstancias que no hayan sido enumeradas anteriormente se tratarán de acuerdo a cada caso.



2645 Federal Signal Drive  
University Park, IL 60484-3167

[www.fedsig.com](http://www.fedsig.com)

Atención al cliente: 1 800-344-4634 • 1 708-534-4756

Asistencia técnica: 1 800-755-7621 • 1 708-587-3587

# Notes



2645 Federal Signal Drive  
University Park, IL 60484-3167

[www.fedsig.com](http://www.fedsig.com)

Customer Support: 1 800-344-4634 • 1 708-534-4756

Technical Support: 1 800-755-7621 • 1 708-587-3587