

SST3GCX-MV **Remotely Selectable Siren**



Installation and Maintenance Instructions

Limited Warranty

This product is subject to and covered by a limited warranty, a copy of which can be found at www.fedsig.com/SSG-Warranty. A copy of this limited warranty can also be obtained by written request to Federal Signal Corporation, 2645 Federal Signal Drive, University Park, IL 60484, email to info@fedsig.com or call +1 708-534-3400.

This limited warranty is in lieu of all other warranties, express or implied, contractual or statutory, including, but not limited to the warranty of merchantability, warranty of fitness for a particular purpose and any warranty against failure of its essential purpose.



FEDERAL SIGNAL
Safety and Security Systems

2645 Federal Signal Drive
University Park, IL 60484-3167

www.fedsig.com

Customer Support 800-344-4634 • +1 708-534-4756

Technical Support 800-524-3021 • +1 708-534-4790

Contents

Safety Messages to Installers, Users, and Maintenance Personnel.....	4
Unpacking the Siren.....	5
Field Installation Applications	5
<i>Mounting Arrangement</i>	<i>5</i>
<i>Electrical Connections</i>	<i>6</i>
<i>Testing/Operating</i>	<i>8</i>
Ordering Replacement Parts	9
Getting Technical Assistance or Repair Service ..	10
Returning the Product for Credit	10

Tables

Table 1 Electrical Rating	5
Table 2 Hazardous Location Ratings.....	5
Table 3 Service Part List	9

Figures

Figure 1 Mounting Dimensions	11
Figure 2 Electrical Connections.....	11

Installation and Maintenance Instructions

Safety Messages to Installers, Users, and Maintenance Personnel



It is important to follow all instructions shipped with this product. This siren is to be installed by a trained electrician who is thoroughly familiar with and will follow all applicable national and local codes in the country of use.

This siren should be considered a part of the warning system and not the entire warning system.

The selection of the mounting location for the siren, its controls and the routing of the wiring are to be accomplished under the direction of the facilities engineer and the safety engineer. In addition, listed below are some other important safety instructions and precautions you should follow:

- Read and understand all instructions before installing or operating the equipment.
- Any maintenance to the siren system must be done with power turned off.
- To avoid electrical shock hazards, do not connect wires when power is applied. Failure to observe this warning may lead to serious injury or death.
- This equipment is suitable for use in Class I, Division 2, Groups A, B, C, D; Class II, Division 2, Groups F and G; Class III or non-hazardous locations only.
- **WARNING: EXPLOSIVE HAZARD** – Do not disconnect the equipment unless power has been switched off or unless the area is known to be non-hazardous.
- Never alter the unit in any manner. Safety in hazardous locations may be endangered if additional openings or other alterations are made in units specifically designed for use in these locations.
- The nameplate, which may contain cautionary or other information of importance to maintenance personnel, should NOT be obscured in any way. Ensure that the nameplate remains readable.
- All effective warning sirens produce loud sounds, which may cause, in certain situations, permanent hearing loss. Take appropriate precautions such as hearing protection. The device should be installed far enough away from potential listeners to limit their exposure while still maintaining its effectiveness.
- DO NOT rotate the projector more than 180 degrees or internal siren wiring may be damaged.
- For maximum effectiveness, ensure that the front of the siren is clear of obstructions.
- After installation or maintenance, ensure that all threaded joints are properly tightened.
- After installation, test the siren system to ensure that it is operating properly.
- After testing is complete, provide a copy of this instruction sheet to all personnel.

Installation and Maintenance Instructions

- Establish a procedure to routinely check the configured system for proper activation and operation.
- Check the unit periodically to ensure that the effectiveness of the device has not been reduced because it has been clogged with a foreign substance or because objects have been placed in front of it.

Failure to follow all safety precautions and instructions may result in property damage, serious injury, or death.

Unpacking the Siren

After unpacking the siren, examine it for damage that may have occurred in transit. If any part of it has been damaged, do not attempt to install or operate it. File a claim immediately with the carrier, stating the extent of the damage. Carefully check all envelopes, shipping labels, and tags before removing or discarding them. Disposal of all shipping materials must be carried out in accordance with national and local codes and standards. If any parts are missing, please call Federal Signal Customer Support at +1 708-534-3400 or +1 800-344-4634.

Table 1 Electrical Ratings

Operating Voltage:	24VDC	120VAC	240VAC
Max. Operating Current:	0.50A	0.21A	0.12A
Frequency:	DC	50/60HZ	50/60HZ

Table 2 Hazardous Location Ratings

Max. Operating Temp./ T-codes at:	66°C	40°C
Class I, Division 2, Groups A, B, C, D	T3C	T4
Class II, Division 2, Groups F and G	T5	T5
Class III	T5	T5

Field Installation Applications

Mounting Arrangement:

The amplified siren can be mounted on any relatively flat surface. Conduit connections can be made to the two 1/2" threaded openings at bottom of the housing. A 1/2" conduit plug is supplied for field installation if one of the 1/2" threaded openings is not utilized. After the mounting location and mounting method have been selected, proceed with the applicable instructions below.

Installation and Maintenance Instructions

WARNING

EXPLOSION HAZARD: To reduce the risk of fire or explosion, do not install the unit in a hazardous location if the operating temperature exceeds the hazardous atmosphere's ignition temperature. Before proceeding, consult the product nameplate and determine the operating temperature of the unit.

Improper operation could occur if an accumulation of water, snow, dust, etc. resides in the unit projector, severely reducing or preventing output of this device. Mount the unit so unit projector is pointed horizontally or slightly downward.

1. Flat Surface Mounting

- a. Select the mounting location and place rear of the housing against mounting surface.
- b. Using the mounting holes as a template, scribe drill position marks on the mounting surface. See Figure 1 for mounting hole spacing.

CAUTION

Before drilling holes in any surface, ensure that both sides of surfaces are clear of items that could be damaged.

- c. Secure the unit to mounting surface with appropriate user supplied No. 10 hardware.
- d. Remove cover by removing the two No. 10 x 1 ½" Phillips head screws to access wiring compartment.
- e. Route wires through the 1/2" threaded openings into the SST3GCX-MV unit in accordance with National and Local Electrical codes. Wire size depends upon the operating current and the distance from the power source. All electrical wiring must be routed through approved conduit and fittings.
- f. Reposition unit projector if necessary to obtain desired sound coverage. Loosen collar nut and move projector to desired position. Tighten nut to lock projector in place.

Electrical Connections:

DANGER

To avoid electrical shock, do not connect any wires when circuits are energized.

WARNING

EXPLOSION HAZARD: Do not disconnect the unit while the circuit is live or unless the area is known to be free of ignitable concentrations. Keep the unit tightly closed when in operation.

Installation and Maintenance Instructions



Do not try to operate the unit by connecting both AC and DC power sources at the same time.

Use only 12 to 18 AWG [2.5 – 1.0 mm²] wire for the power connection. Strip no more than .25 inch [6 mm] of wire insulation from the ends of the power leads. If stranded wire is used, be sure that there are no loose strands outside the connector plug that could touch the adjacent lead and cause a short circuit.

1. 120/240VAC Wiring (See Figure 2)

- a. Set the voltage selector switch SW1 to the desired source voltage.
- b. Connect the AC power leads to the 120/240 terminals of the four position 5.08mm J3 plug supplied loose with the unit. Unit is not polarity sensitive for AC power.
- c. Insert the stripped wire ends into the terminal as far as they can travel. Tighten terminal screw to 5 in-lb (0.56 N-m) maximum.
- d. Plug the connector into the J3 receptacle on the printed circuit board. Connector only installs in one direction.
- e. If required, connect ground wire to the green No. 8 grounding screw provided inside the housing.

2. 24VDC Wiring (See Figure 2)

- a. Remove the jumper wire from the four position 5.08mm J3 connector plug provided with the unit.
- b. Connect the positive power source lead to the (+) terminal and the negative power source lead to the (-) terminal.
- c. Insert the stripped wire ends into the terminal as far as they can travel. Tighten terminal screw to 5 in-lb (0.56 N-m) maximum.
- d. Plug the connector into the J3 receptacle on the printed circuit board. Connector only installs in one direction.
- e. If required, connect ground wire to the green No. 8 grounding screw provided inside the housing.

3. Tone Activation Wiring (See Figure 2)

- a. Remote Tone Activation Connection

Remote tone activation can be accomplished by wiring a switch or contact between the various terminals of the 3.81mm J4 tone selector connector plug. Use appropriately sized shielded twisted pair cables. Plug terminals are rated for 16 to 22 AWG (1.5-0.5mm²) wire. For proper operation of the remote activation circuit, the total loop resistance should not exceed 1000 ohms.

Installation and Maintenance Instructions

- i. Connect switch wires to the 3.81mm J4 connector plug per Figure 2.
- ii. Insert the stripped wire ends into the terminal as far as they can travel. Tighten terminal screw to 2.2 in-lb (0.25 N-m) maximum.
- iii. Plug the connector into the J4 receptacle on the printed circuit board. Connector only installs in one direction.

The selected tone will play when the unit is powered up and remote activation switches/contacts are closed.

By connecting a set of switches/contacts to each of the three tones, and single tone can be activated by closing the appropriate contact. When contact closures are applied to all tone terminals simultaneously, the HORN tone will override the other two tones. If contact closures are applied to HORN and any other tone, HORN will override the other tone. If contact closures are applied to both the WAIL and YELP tones, the WAIL tone will override the YELP tone.

b. Wiring for Single Tone Activation at Power Up

By connecting a permanent short jumper wire between the GND terminal and desired tone terminal, the unit can be operated by switching the operating power. Jumper wire is provided with the unit.

- i. Connect jumper wire to the 3.81mm J4 connector plug per Figure 2.
- ii. Insert the stripped wire ends into the terminal as far as they can travel. Tighten terminal screw to 2.2 in-lb (0.25 N-m) maximum.
- iii. Plug the connector into the J4 receptacle on the printed circuit board. Connector only installs in one direction.

The selected tone will play when the unit is powered up.

c. Completing the Assembly

- i. Re-install the cover making sure gasket is fully seated and compressed. Tighten cover screws to 25-30 in-lb (2.8-3.4 N-m).
- ii. Turn on power to the unit and proceed to Testing/Operation section.

Testing/Operating:



These devices are capable of producing sounds loud enough to cause hearing damage.

Installation and Maintenance Instructions

Adequate hearing protection should be worn if standing within close proximity to device while testing. Recommendations in the OSHA Sound Level Standard (29 CFR 1910F) should not be exceeded.

- A. After installation is complete, be sure to test the system to verify that each amplified siren operates satisfactorily.
- B. After completion of initial system test, establish a program for periodic testing of this device.
- C. Provide a copy of these instructions for the Safety Engineer, system operator(s) and maintenance personal.

SAFETY MESSAGE TO OPERATORS

Even if your warning system is operating properly, it may not be completely effective. People may not hear or heed your warning signal. You must recognize this fact and ensure that your warning signal achieves its intended effect through proper test/training sequences within your specific application(s).

Ordering Replacement Parts

Replacement parts listed within this manual may be ordered. Due to certification, certain component parts are not available for field replacement. Devices having parts with this type of damage must be either replaced entirely or returned to Federal Signal for service. To order, call Federal Signal Customer Support at +1 708-534-3400 or +1 800-344-4634.

WARNING – EXPLOSION HAZARD

Substitution of any components may impair suitability for Class I, Division 2, Groups A, B, C, and D; Class II, Division 2, Groups F and G; and Class III.

Table 3: Service Part List

Description	Part Number
Speaker Assembly	K8593103
PCBA	K20000104
Connector Plug	K140340

Installation and Maintenance Instructions

Getting Technical Assistance or Repair Service

Products returned for repair require a Return Authorization form from your local distributor or from Federal Signal. To obtain repair service or technical assistance from Federal Signal, call +1 708-534-4790 or +1 800-524-3021.

For instruction manuals and information on related products, visit: <http://www.fedsig.com>.

Returning the Product for Credit

Product returns for credit require a return authorization from your local distributor prior to returning the product to Federal Signal. Please contact your distributor for assistance.

A product is qualified to be returned for credit when the following conditions are met:

- The product is resalable and in the original cartons.
- The product has not been previously installed.
- The product is the current revision.
- The product has not been previously repaired.
- The product is a standard product.
- The product is not a service part.

All returns are subject to a re-stock fee.

Defective products that are returned within the warranty period will be repaired or replaced at Federal Signal's sole discretion. Defective products do not include those products with lamp failure.

Circumstances other than those listed above will be addressed on a case-by-case basis.

Installation and Maintenance Instructions

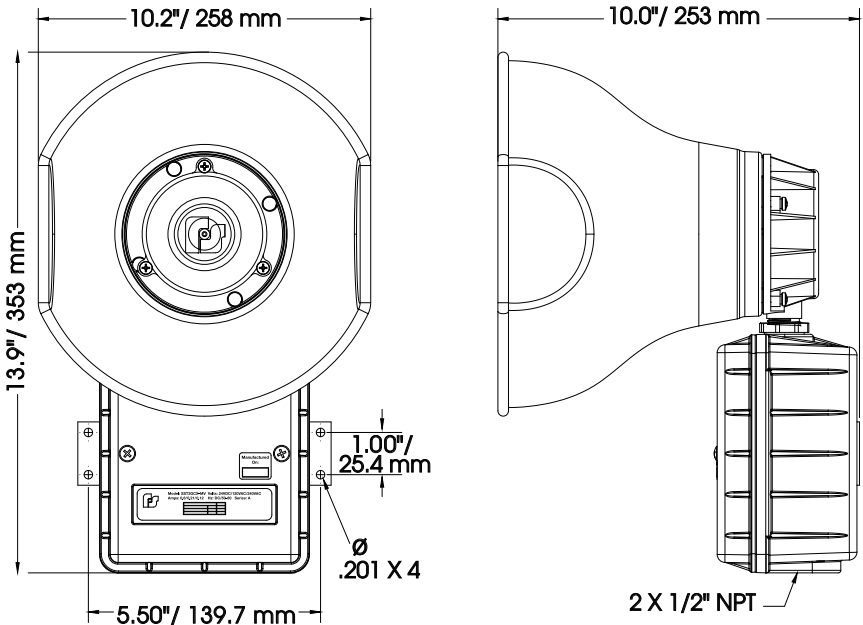


Figure 1 Mounting Dimensions

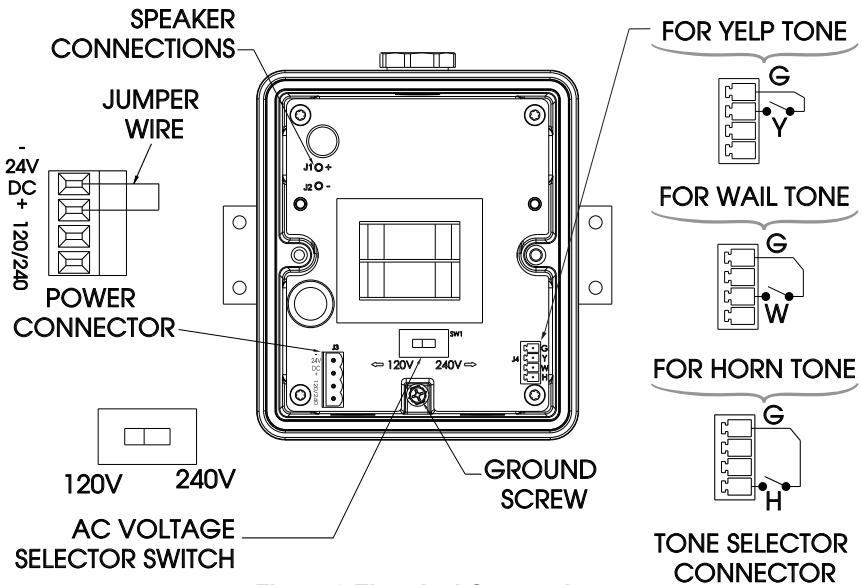


Figure 2 Electrical Connections



2645 Federal Signal Drive
University Park, IL 60484-3167

www.fedsig.com

Customer Support 800-344-4634 • +1 708 534-4756

Technical Support 800-524-3021 • +1 708 534-4790

SST3GCX-MV

Sirena de selección remota



Instrucciones de instalación y mantenimiento

Garantía limitada

Este producto está sujeto a y cubierto por una garantía limitada, cuya copia se puede encontrar en www.fedsig.com/SSG-Warranty. Una copia de esta garantía limitada también se puede obtener mediante solicitud por escrito a Federal Signal Corporation, 2645 Federal Signal Drive, University Park, IL 60484, a través del envío de un correo electrónico a info@fedsig.com o si llama al +1 708-534-3400.

Esta garantía limitada reemplaza a todas las demás garantías, expresas o implícitas, contractuales o legales, incluida, entre otras, la garantía de comerciabilidad, la garantía de idoneidad para un propósito en particular y cualquier garantía contra la imposibilidad de cumplir con su finalidad fundamental.



2645 Federal Signal Drive
University Park, IL 60484-3167

www.fedsig.com

Atención al cliente 800-344-4634 • +1 708-534-4756

Asistencia técnica 800-524-3021 • +1 708-534-4790

Índice

Mensajes de seguridad para los instaladores, los usuarios y el personal de mantenimiento	16
Desembalaje de la sirena.....	17
Aplicaciones de instalación en campo.....	17
<i>Arreglos de montaje</i>	<i>17</i>
<i>Conexiones eléctricas.....</i>	<i>18</i>
<i>Pruebas/Operación</i>	<i>20</i>
Pedido de piezas de repuesto	21
Servicio de reparación o asistencia técnica	22
Devolución del producto para obtener crédito	22

Tablas

Tabla 1 Calificaciones Eléctricas	17
Tabla 2 Calificaciones de Localización Peligroso	17
Tabla 3 Lista de repuestos.....	22

Figuras

Figura 1 Dimensiones de montaje	23
Figura 2 Conexiones eléctricas.....	23

Mensajes de seguridad para los instaladores, los usuarios y el personal de mantenimiento

ADVERTENCIA

Es importante seguir todas las instrucciones enviadas con este producto. Esta sirena debe ser instalada por un electricista capacitado que conozca por completo y que siga todos los códigos nacionales y locales de aplicación en el país donde se usa.

Esta sirena debe considerarse parte del sistema de advertencia y no el sistema de advertencia completo.

La selección del lugar de montaje de la sirena, sus controles y la colocación del cableado deben realizarse bajo la dirección del ingeniero de la planta y del ingeniero de seguridad. Asimismo, a continuación se incluyen algunas instrucciones y precauciones importantes de seguridad que debe seguir:

- Lea atentamente todas las instrucciones antes de instalar y usar el equipo.
- Cualquier mantenimiento del sistema de la sirena debe realizarse con la unidad apagada.
- Para evitar riesgos de descarga eléctrica, no conecte los cables mientras se aplica corriente. El incumplimiento de esta advertencia puede provocar lesiones graves o la muerte.
- No desconectar la unidad mientras el circuito esté activo o a menos que se conozca que el área está libre de concentraciones inflamables. Mantenga la unidad bien cerrada mientras se encuentra en funcionamiento.
- **ADVERTENCIA: RIESGO DE EXPLOSIÓN** – No desconecte el equipo a menos que se haya desconectado la electricidad o que se tenga certeza de que el área no es peligrosa.
- No altere nunca la unidad de ninguna forma. En zonas peligrosas, la seguridad puede verse comprometida si se realizan aberturas adicionales u otras alteraciones en unidades específicamente diseñadas para utilizarse en estas ubicaciones.
- La placa de identificación, que puede contener precauciones u otra información de importancia para el personal de mantenimiento, NO debe quedar oculta de ninguna forma. Verifique que la placa de identificación permanezca legible.
- Todas las sirenas de advertencia efectiva producen sonidos fuertes que pueden ocasionar, en ciertas situaciones, la pérdida permanente de la audición. Tome las precauciones apropiadas, tales como usar protección auditiva. El dispositivo debe ser instalado a una distancia suficiente de las personas que potencialmente puedan escucharlo para limitar su exposición y al mismo tiempo mantener su efectividad.
- NO rote el proyector más de 180 grados o el cableado interno de la sirena puede dañarse.
- Para una máxima efectividad, asegúrese de que la parte delantera de la sirena no tenga obstrucciones.
- Después de la instalación o el mantenimiento, asegúrese de que todas las uniones roscadas estén bien ajustadas.
- Después de la instalación, pruebe el sistema de la sirena para asegurarse de que esté funcionando correctamente.
- Una vez que haya finalizado la prueba, entregue una copia de esta hoja de instrucciones a todo el personal.

- Establezca un procedimiento para verificar periódicamente el sistema configurado a fin de comprobar su activación y funcionamiento apropiados.
- Verifique la unidad periódicamente para asegurarse de que la efectividad del dispositivo no se haya visto reducida debido a una obstrucción causada por una sustancia extraña o porque se hayan colocado objetos delante de él.

El incumplimiento de todas estas precauciones e instrucciones de seguridad es causa posible de daños materiales, lesiones graves o incluso la muerte.

Desembalaje de la sirena

Después de desembalar la sirena, examínela para detectar daños que puedan haberse producido durante el transporte. Si detecta daños en cualquier pieza componente, no intente instalar el producto ni ponerlo en funcionamiento. Presente un reclamo de inmediato al transportista que indique el alcance de los daños. Con cuidado, inspeccione todos los sobres, las etiquetas de envío y los rótulos antes de retirarlos o descartarlos. El desecho de todos los materiales de envío debe realizarse de acuerdo con los códigos y las normas nacionales y locales. Si falta alguna pieza, comuníquese con el Servicio de Asistencia al Cliente de Federal Signal llamando al +1 708-534-3400 o +1 800-344-4634.

Tabla 1 Calificaciones Eléctricas

Voltaje de funcionamiento:	24VDC	120VAC	240VAC
Max. corriente de funcionamiento:	0.50A	0.21A	0.12A
Frecuencia:	DC	50/60HZ	50/60HZ

Tabla 2 Calificaciones de Localización Peligroso

Max. Temperatura de Funcionamiento/ T-codes at:	66°C	40°C
Class I, Division 2, Groups A, B, C, D	T3C	T4
Class II, Division 2, Groups F and G	T5	T5
Class III	T5	T5

Aplicaciones de instalación en campo

Arreglos de montaje:

La sirena amplificada puede montarse en una superficie relativamente plana. Las conexiones de conducto pueden hacerse en las dos aberturas roscadas de 1/2" en la parte inferior de la carcasa. Se suministra un tapón de conductos de 1/2" para instalación en campo si no se utiliza una de las aberturas roscadas de 1/2". Una vez que se ha seleccionado la ubicación de montaje y el método de montaje, continúe con las instrucciones correspondientes a continuación.

ADVERTENCIA

RIESGO DE EXPLOSIONES: Para reducir el riesgo de incendio o explosión, no instale la unidad en una ubicación peligrosa si la temperatura de funcionamiento excede la temperatura de ignición de atmósferas peligrosas. Antes de continuar, consulte la placa de identificación del producto y determine la temperatura de funcionamiento de la unidad. Podría haber un funcionamiento incorrecto si se produce una acumulación de agua, nieve, polvo, etc., en el proyector de la unidad, reduciendo gravemente o impidiendo el funcionamiento de este dispositivo. Monte la unidad de forma tal que el proyector de la unidad señale horizontalmente o levemente hacia abajo.

1. Montaje en superficie plana

- a. Seleccione la ubicación de montaje y coloque la parte posterior de la carcasa contra la superficie de montaje.
- b. Usando los orificios de montaje como plantilla, dibuje la posición de perforación en la superficie de montaje. Vea la Figura 1 para conocer la distancia entre los orificios de montaje. Antes de perforar orificios en la superficie, asegúrese de que ambos lados de la superficie no tengan elementos que puedan dañarse.

PRECAUCIÓN

- c. Sujete la unidad en la superficie de montaje con los accesorios apropiados N.º 10 provistos por el usuario.
- d. Retire la cubierta quitando los dos tornillos de cabeza Phillips N.º 10 de 1/2" para acceder al compartimiento de cableado.
- e. Coloque los cables por las aberturas roscadas de 1/2" en la unidad SST3GCX-MV de acuerdo con el Código Eléctrico Nacional y Local. El tamaño del cable depende de la corriente eléctrica de funcionamiento y de la distancia desde la fuente de alimentación. Todos los cables eléctricos deben tenderse por conductos y accesorios aprobados.
- f. Reubique el proyector de la unidad de ser necesario para obtener la cobertura deseada de sonido. Afloje la tuerca con reborde y mueva el proyector a la posición deseada. Ajuste la tuerca para fijar el proyector en su sitio.

Conexiones eléctricas:

PELIGRO

Para evitar una descarga eléctrica, no conecte ningún cable cuando los circuitos estén energizados.

ADVERTENCIA

RIESGO DE EXPLOSIONES: No desconectar la unidad mientras el circuito esté activo o a menos que se conozca que el área está libre de concentraciones inflamables. Mantenga la unidad bien cerrada mientras se encuentra en funcionamiento.

PRECAUCIÓN

No intente operar la unidad conectando las fuentes de alimentación CA y CC al mismo tiempo.

Use solo cables de 12 a 18 AWG (2,5 – 1,0 mm²) para la conexión de corriente. Pele no más de 6 mm (0,25 pulgadas) de aislamiento de los extremos de los cables de corriente. Si usa cable trenzado, asegúrese de que no haya cables trenzados sueltos fuera del enchufe conector que podrían tocar el cable adyacente y causar un cortocircuito.

1. Cableado de 120/240VCA (Vea la Figura 2)
 - a. Configure el interruptor selector de voltaje SW1 al voltaje de origen deseado.
 - b. Conecte los cables de corriente eléctrica CA a los terminales de 120/240 del enchufe del conector J3 5,08 mm de cuatro posiciones provisto con la unidad. La unidad no es sensible a la polaridad para la alimentación de CA.
 - c. Inserte los extremos pelados del cable en el terminal tanto como sea posible. Ajuste los tornillos de los terminales a un máximo de 5 in-lb (0,56 N-m).
 - d. Enchufe el conector en el receptáculo J3 en el circuito impreso. El conector solo se instala en una dirección.
 - e. Si es necesario, conecte el cable a tierra al tornillo de puesta a tierra N.º 8 verde que se proporciona dentro de la carcasa.
2. Cableado de 24VDC (Vea la Figura 2)
 - a. Retire el cable de puente del conector J3 de 5,08 mm de cuatro posiciones que se suministra con la unidad.
 - b. Conecte el cable de alimentación positivo al terminal (+) y el cable de alimentación negativo al terminal (-).
 - c. Inserte los extremos pelados del cable en el terminal tanto como sea posible. Ajuste los tornillos de los terminales a un máximo de 5 in-lb (0,56 N-m).
 - d. Enchufe el conector en el receptáculo J3 en el circuito impreso. El conector solo se instala en una dirección.
 - e. Si es necesario, conecte el cable a tierra al tornillo de puesta a tierra N.º 8 verde que se proporciona dentro de la carcasa.
3. Cableado de activación de tono (Vea la Figura 2)
 - a. Conexión de activación remota de tono

La activación remota de tono se puede lograr al cablear un interruptor o un contacto entre las diversas terminales del enchufe del conector del selector de tono J4 de 3,81 mm. Use par de cables trenzados blindados del tamaño apropiado. Los terminales del enchufe están clasificados para cables de 16 a 22 AWG (1,5-0,5mm²). Para una operación apropiada del circuito de activación remota, la resistencia total del bucle no debe exceder los 1000 ohmios.

- i. Conecte los cables del interruptor al enchufe del conector J4 de 3,81 mm según la Figura 2.
- ii. Inserte los extremos pelados del cable en el terminal tanto como sea posible. Ajuste los tornillos de los terminales a un máximo de 2.2 in-lb (0,25 N-m).
- iii. Enchufe el conector en el receptáculo J4 en el circuito impreso. El conector solo se instala en una dirección.

El tono seleccionado se reproducirá cuando se encienda la unidad y se cierren los interruptores/contactos de activación remota.

Al conectar un conjunto de interruptores/contactos a cada uno de los tres tonos, cualquier tono único puede activarse cerrando el contacto apropiado. Cuando se aplican los cierres de contactos a todos los terminales de tono simultáneamente, el tono de BOCINA cancelará los otros dos tonos. Si se aplican cierres de contacto a la BOCINA y a cualquier otro tono, la BOCINA cancelará el otro tono. Si se aplican cierres de contacto a los tonos de SIRENA y TONO AGUDO, el tono de SIRENA cancelará el TONO AGUDO.

b. Cableado para activación de un tono en el encendido

Al conectar un cable de puente corto permanente entre el terminal de tierra y el terminal de tono deseado, la unidad puede ser operada conmutando la corriente de funcionamiento. El cable de puente se suministra con la unidad.

- i. Conecte el cable de puente al enchufe del conector J4 de 3,81 mm según la Figura 2.
- ii. Inserte los extremos pelados del cable en el terminal tanto como sea posible. Ajuste los tornillos de los terminales a un máximo de 2.2 in-lb (0,25 N-m).
- iii. Enchufe el conector en el receptáculo J4 en el circuito impreso. El conector solo se instala en una dirección.

El tono seleccionado se reproducirá cuando la unidad esté encendida.

c. Finalización del montaje

- i. Vuelva a instalar la cubierta asegurándose de que la junta esté completamente afirmada y comprimida. Ajuste los tornillos de la cubierta a un máximo de 25-30 in-lb (2,8-3,4 N-m).
- ii. Encienda la unidad y vaya a la sección Pruebas/Operación.

Pruebas/Operación:

ADVERTENCIA

Estos dispositivos pueden producir sonidos lo suficientemente altos como para producir daños a la audición. Debe usarse la protección auditiva adecuada en caso de permanecer cerca del dispositivo al realizar las pruebas. No deben excederse las recomendaciones de la Norma de Nivel de Sonido de la Administración de Seguridad y Salud Ocupacional (29 CFR 1910F).

- A. Una vez que se haya completado la instalación, asegúrese de probar el sistema para verificar que cada sirena amplificada opere satisfactoriamente.
- B. Después de completar la prueba inicial del sistema, establezca un programa de pruebas periódicas de este dispositivo.
- C. Entregue una copia de estas instrucciones al ingeniero de seguridad, a los operador(es) del sistema y al personal de mantenimiento.

MENSAJE DE SEGURIDAD A LOS OPERADORES

Aunque su sistema de advertencia funcione correctamente, es posible que no sea completamente efectivo. Las personas pueden no escuchar o no notar su señal de advertencia. Debe reconocer este hecho y asegurarse de que su señal de advertencia logre su efecto deseado a través de secuencias adecuadas de pruebas/capacitación dentro de su(s) aplicación (aplicaciones) específica(s).

Pedido de piezas de repuesto

Se pueden pedir las piezas de repuesto incluidas en este manual. Debido a la certificación, hay determinados componentes que no están disponibles para ser reemplazados en el campo. Los dispositivos que tengan piezas con este tipo de daño deben ser totalmente reemplazados o devueltos a Federal Signal con fines de servicio. Para realizar un pedido, llame al Servicio de Asistencia al Cliente de Federal Signal al +1 708-534-3400 o al +1 800-344-4634.

ADVERTENCIA - RIESGO DE EXPLOSIÓN

la sustitución de cualquier componente puede disminuir la adaptabilidad para Clase I, División 2, Grupos A, B, C y D; Clase II, División 2, Grupos F y G; y Clase III.

Tabla 3: Lista de repuestos

Descripción	Número de pieza
Unidad del altavoz	K8593103
PCBA	K20000104
Enchufe del conector	K140340

Servicio de reparación o asistencia técnica

Los productos devueltos para reparación requieren un formulario de autorización de devolución de su distribuidor local o de Federal Signal. Para obtener el servicio de reparación o asistencia técnica de Federal Signal, llame al +1 708-534-4790 o al +1 800-524-3021.

Para ver manuales de instrucciones e información sobre productos relacionados, visite: <http://www.fedsig.com>.

Devolución del producto para obtener crédito

Las devoluciones de productos para obtener crédito requieren una autorización de devolución de su distribuidor local antes de devolver el producto a Federal Signal. Contacte a su distribuidor para obtener asistencia.

Un producto está calificado para su devolución a fin de obtener crédito cuando se cumplen las condiciones siguientes:

- El producto puede volver a venderse y se encuentra en su envase original.
- El producto no ha sido instalado previamente.
- El producto es la revisión actual.
- El producto no ha sido reparado previamente.
- El producto es un producto estándar.
- El producto no es un repuesto.

Todas las devoluciones están sujetas a un arancel de reposición de inventario.

Los productos defectuosos devueltos dentro del período de garantía serán reparados o reemplazados a exclusivo criterio de Federal Signal. Los productos defectuosos no incluyen los productos con fallas de la lámpara.

Otras circunstancias no incluidas anteriormente se tratarán según cada caso en particular.

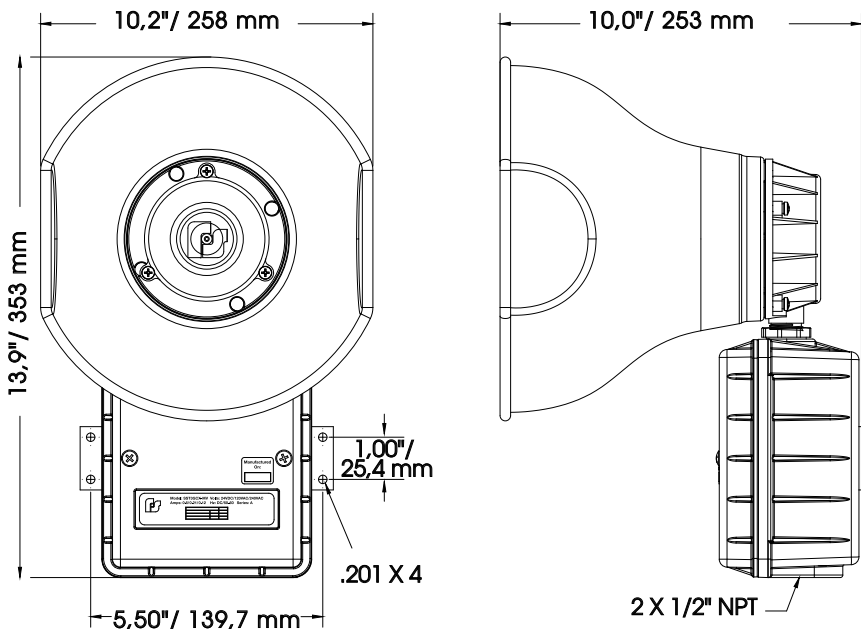


Figura 1 Dimensiones de montaje

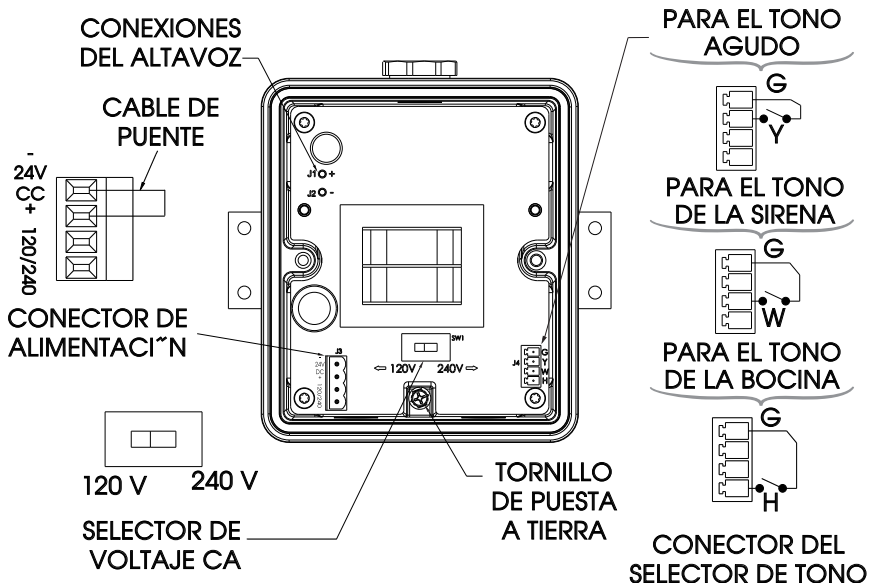


Figura 2 Conexiones eléctricas



2645 Federal Signal Drive
University Park, IL 60484-3167

www.fedsig.com

Asistencia al cliente 800-344-4634 • +1 708 534-4756

Asistencia técnica 800-524-3021 • +1 708 534-4790

25500498A

Rev. A0 0219

Impreso en los EE. UU.

SST3GCX-MV

Sirène sélectionnable à distance



Consignes d'installation et d'entretien

Garantie limitée

Le présent produit est sujet à une garantie limitée et est couvert par celle-ci. Vous pouvez obtenir une copie de cette dernière sur le site www.fedsig.com/SSG-Warranty. Vous pouvez également obtenir une copie de la présente garantie limitée en envoyant une demande écrite à Federal Signal Corporation, 2645 Federal Signal Drive, University Park, IL 60484, en envoyant un e-mail à info@fedsig.com ou en appelant le +1 708-534-3400.

La présente garantie limitée remplace toutes les autres garanties, explicites ou implicites, contractuelles ou légales, y compris, mais sans se limiter à la garantie de qualité marchande, la garantie d'habitabilité à une fin particulière et toute garantie contre une défaillance de sa finalité essentielle.



2645 Federal Signal Drive
University Park, IL. 60484-3167

www.fedsig.com

Service Client +1 800-344-4634 • +1 708-534-4756

Assistance technique +1 800-524-3021 • +1 708-534-4790

Table des matières

Messages de sécurité destinés aux installateurs, aux utilisateurs et au personnel d'entretien	28
Déballage de la sirène.....	29
Applications d'installation sur site.....	29
<i>Agencement du montage</i>	<i>29</i>
<i>Branchements électriques</i>	<i>30</i>
<i>Tests/fonctionnement</i>	<i>33</i>
Commande de pièces de rechange	33
Assistance technique ou réparation	34
Retour du produit et avoir	34

Tableaux

Tableau 1 Évaluations électriques	29
Tableau 2 Cotes d'emplacement dangereux	29
Tableau 3 Liste des pièces de rechange	34

Illustrations

Illustration 1 Dimensions de montage.....	35
Illustration 2 Branchements électriques	35

Consignes d'installation et d'entretien

Messages de sécurité destinés aux installateurs, aux utilisateurs et au personnel d'entretien



Il est important de respecter toutes les consignes jointes à ce produit au moment de l'expédition. Cette sirène doit être installée par un électricien qualifié qui maîtrise parfaitement et qui respectera tous les codes locaux et nationaux applicables dans le pays d'utilisation.

Cette sirène doit être considérée comme une partie du système d'avertissement et non comme l'intégralité de celui-ci.

Le choix du lieu de montage de la sirène, de ses commandes et de l'acheminement des câbles doit être effectué sous la direction de l'ingénieur responsable des installations et de l'ingénieur responsable de la sécurité. Voici par ailleurs une liste complémentaire d'instructions et de précautions de sécurité importantes à respecter :

- Lire et comprendre toutes les instructions avant d'installer ou d'utiliser le matériel.
- Tout entretien de la sirène doit être effectué lorsque le dispositif est hors tension.
- Afin d'éviter les risques de chocs électriques, ne pas brancher de fils si le dispositif est sous tension. Le non-respect de cet avertissement peut entraîner des blessures graves ou la mort.
- Cet équipement est adapté à une utilisation en classe I, division 2, groupes A, B, C, D; Classe II, division 2, groupes F et G; Classe III ou emplacements non dangereux uniquement.
- **AVERTISSEMENT : RISQUE D'EXPLOSION** — ne pas déconnecter l'équipement à moins que l'alimentation électrique ait été coupée ou que la zone soit reconnue comme non dangereuse.
- Ne jamais modifier cet appareil de quelque façon que ce soit. La sécurité dans les zones dangereuses peut être compromise si d'autres ouvertures sont ajoutées ou si d'autres modifications sont apportées sur des appareils spécialement conçus pour une utilisation dans ces zones.
- La plaque signalétique, qui peut contenir des informations de mise en garde et autres informations importantes pour le personnel d'entretien, NE DOIT PAS être occultée de quelque manière que ce soit. Il faut s'assurer que la plaque signalétique reste lisible.
- Toutes les sirènes d'avertissement efficaces produisent des sons puissants, qui peuvent entraîner, dans certaines situations, une perte auditive permanente. Prendre les précautions appropriées, comme l'utilisation d'une protection acoustique. Le dispositif doit être installé suffisamment loin des auditeurs potentiels afin de limiter l'exposition de ces derniers, tout en conservant son efficacité.
- NE PAS pivoter le cornet à plus de 180 degrés, car cela peut endommager le câblage de la sirène interne.
- Pour une efficacité maximale, s'assurer que l'avant de la sirène est bien dégagé.
- Après l'installation ou l'entretien, s'assurer que tous les joints filetés sont correctement serrés.
- Après l'installation, tester la sirène pour s'assurer qu'elle fonctionne correctement.
- Une fois les tests terminés, fournir une copie de cette fiche de consignes à tout le personnel.

Consignes d'installation et d'entretien

- Mettre en place une procédure de vérification régulière de l'activation et du bon fonctionnement du système configuré.
- Contrôler régulièrement l'appareil pour vérifier qu'il n'a pas perdu de son efficacité du fait d'une obstruction par des substances étrangères ou de la présence d'objets à l'avant de l'appareil.

Le non-respect de l'ensemble des précautions et consignes de sécurité risque d'entraîner des dommages matériels ainsi que des blessures graves, voire mortelles.

Déballage de la sirène

Après avoir déballé la sirène, vérifier soigneusement si elle a été endommagée lors du transport. Si elle a été endommagée, ne tentez pas de l'installer ou de la faire fonctionner. Déposer immédiatement une réclamation auprès du transporteur, déclarant l'étendue des dommages. Examiner soigneusement toutes les enveloppes, étiquettes d'expédition et autres étiquettes avant de les retirer ou de les détruire. La mise au rebut de tout matériel d'expédition doit être effectuée conformément aux normes et codes locaux et nationaux. S'il manque des pièces, appeler l'assistance clientèle de Federal Signal au +1 708-534-3400 ou au +1 800-344-4634.

Tableau 1 Évaluations électriques

Tension de Fonctionnement:	24VDC	120VAC	240VAC
Courant de Fonctionnement Max.:	0.50A	0.21A	0.12A
La Fréquence:	DC	50/60HZ	50/60HZ

Tableau 2 Cotes d'emplacement dangereux

Température de fonctionnement max./ T-codes at:	66°C	40°C
Class I, Division 2, Groups A, B, C, D	T3C	T4
Class II, Division 2, Groups F and G	T5	T5
Class III	T5	T5

Applications d'installation sur site

Agencement du montage :

La sirène amplifiée peut être montée sur toute surface relativement plate. Les raccordements du conduit peuvent être effectués sur les deux ouvertures filetés de 12,7 mm (1/2 po) dans la partie inférieure de l'enceinte. Si l'une de ces ouvertures n'est pas utilisée, un bouchon de conduit de 12,7 mm (1/2 po) est fourni pour l'installation sur site. Une fois la méthode et l'emplacement de montage choisis, appliquer les consignes ci-après.

Consignes d'installation et d'entretien

AVERTISSEMENT

RISQUE D'EXPLOSION : Pour réduire le risque d'incendie ou d'explosion, ne pas installer l'appareil dans une zone dangereuse si la température de fonctionnement dépasse la température d'allumage de l'atmosphère dangereuse. Avant d'intervenir, consulter la plaque signalétique du produit et déterminer la température de fonctionnement de l'appareil.

Le mauvais fonctionnement peut être occasionné par l'accumulation d'eau, de neige, de poussière, etc. à l'intérieur du cornet de la sirène, ce qui peut sérieusement compromettre, voire empêcher, les performances du dispositif. Monter le dispositif de sorte que le cornet de la sirène soit positionné à l'horizontale ou légèrement incliné vers le bas.

1. Montage sur surface plate

- a. Sélectionner l'emplacement du montage et placer l'arrière de l'enceinte contre la surface de montage.
- b. En utilisant les trous de montage comme gabarit, tracer des marques de repère sur la surface de montage pour le perçage. Se reporter à l'illustration 1 pour l'espacement des trous de montage. Avant de percer des trous sur toute surface, s'assurer que les deux côtés des surfaces sont exempts d'éléments pouvant être endommagés.

ATTENTION

Avant de percer des trous sur toute surface, s'assurer que les deux côtés des surfaces sont exempts d'éléments pouvant être endommagés

- c. Fixer l'appareil sur la surface de montage à l'aide du matériel n° 10 fourni par l'utilisateur.
- d. Enlever le couvercle en retirant les deux vis cruciformes n° 10 x 38,1 mm (1 ½ po) pour accéder au compartiment de câblage.
- e. Acheminer les fils via les ouvertures filetés de 12,7 mm (1/2 po) dans l'appareil SST3GCX-MV, conformément aux Codes locaux et nationaux d'électricité. La section du fil dépend du courant de fonctionnement et de la distance par rapport à la source d'alimentation. L'ensemble du câblage électrique doit être acheminé à travers des conduits et raccords approuvés.
- f. Si nécessaire, repositionner le cornet de la sirène pour obtenir la couverture sonore désirée. Desserrer l'écrou à embase et déplacer le cornet jusqu'à la position désirée. Serrer l'écrou pour maintenir le cornet en place.

Branchements électriques :

DANGER

Afin d'éviter les risques de chocs électriques, ne brancher aucun fil tant que les circuits sont sous tension.

AVERTISSEMENT

RISQUE D'EXPLOSION : Ne pas déconnecter l'appareil lorsque le circuit est sous tension et à moins que la zone ne soit exempte de concentrations inflammables. Maintenir le dispositif fermé en cours d'utilisation.

ATTENTION

Ne pas tenter de faire fonctionner l'appareil en connectant les sources d'alimentation CA et CC en même temps.

N'utiliser qu'un fil de 12 à 18 AWG [2,5 à 1,0 mm²] pour la connexion à l'alimentation. Retirer un maximum de 6 mm [0,25 po] d'isolant des extrémités des câbles d'alimentation. Si un fil multibrin est utilisé, s'assurer qu'aucun brin n'est lâche à l'extérieur de la fiche de connexion pour éviter tout contact avec le fil adjacent et un court-circuit.

1. Câblage 120/240 VCA (voir Illustration 2)
 - a. Régler le commutateur de sélection de tension COM1 sur la tension source souhaitée.
 - b. Connecter les fils d'alimentation CA aux bornes 120/240 de la fiche J3 de 5,08 mm à quatre positions fournie séparément avec l'appareil. L'appareil n'est pas sensible à la polarité de l'alimentation CA.
 - c. Insérer les extrémités dénudées du fil dans la borne aussi loin que possible. Serrer la vis de borne à 0,56 Nm (5 in-lb) au maximum.
 - d. Brancher le connecteur dans le réceptacle J3 sur la plaquette de circuits imprimés. Le connecteur ne s'installe que dans un sens.
 - e. Si nécessaire, raccorder le fil de terre à la vis de mise à la terre verte n° 8 fournie dans l'enceinte.
2. Câblage 24 VCC (voir Illustration 2)
 - a. Retirer le câble de raccordement de la fiche de connexion J3 de 5,08 mm à quatre positions fourni avec l'appareil.
 - b. Raccorder le fil positif de la source d'alimentation à la borne (+) et le fil négatif de la source d'alimentation à la borne (-).
 - c. Insérer les extrémités dénudées du fil dans la borne aussi loin que possible. Serrer la vis de borne à 0,56 Nm (5 in-lb) au maximum.
 - d. Brancher le connecteur dans le réceptacle J3 sur la plaquette de circuits imprimés. Le connecteur ne s'installe que dans un sens.
 - e. Si nécessaire, raccorder le fil de terre à la vis de mise à la terre verte n° 8 fournie dans l'enceinte.
3. Câblage d'activation de la tonalité (voir Illustration 2)
 - a. Raccordement pour activation de la tonalité à distance

Consignes d'installation et d'entretien

L'activation de la tonalité à distance peut être réalisée en connectant un commutateur ou un contact entre les différentes bornes de la fiche du connecteur de sélection de tonalité J4 de 3,81 mm. Utiliser des câbles à paires torsadées blindées de taille appropriée. Les bornes à fiches sont conçues pour des fils de 16 à 22 AWG (1,5 à 0,5 mm²). Pour le bon fonctionnement du circuit d'activation à distance, la résistance totale de la boucle ne doit pas dépasser 1000 ohms.

- i. Connecter les fils du commutateur à la fiche de connexion J4 de 3,81 mm comme indiqué sur l'illustration 2.
- ii. Insérer les extrémités dénudées du fil dans la borne aussi loin que possible. Serrer les vis de borne à 0,25 Nm (2,2 in-lb) au maximum.
- iii. Brancher le connecteur dans le réceptacle J4 sur la plaquette de circuits imprimés. Le connecteur ne s'installe que dans un sens.

La tonalité sélectionnée retentira lorsque l'appareil sera mis sous tension et que les commutateurs/contacts d'activation à distance seront fermés.

En connectant un ensemble de commutateurs/contacts à chacune des trois tonalités, une seule tonalité peut être activée en fermant le contact approprié. Lorsque les fermetures de contacts sont appliquées à toutes les bornes de tonalité simultanément, la tonalité KLAXON est prioritaire sur les deux autres tonalités. Si des fermetures de contacts sont appliquées à la tonalité KLAXON et à toute autre tonalité, la tonalité KLAXON est prioritaire sur l'autre tonalité. Si des fermetures de contacts sont appliquées à la fois aux tonalités PLAINTIVE et GLAPISSANTE, la tonalité PLAINTIVE est prioritaire sur la tonalité GLAPISSANTE.

- b. Câblage pour activation d'une seule tonalité à la mise sous tension

En connectant un câble de raccordement permanent à fil court entre la borne TERRE et la borne de tonalité souhaitée, l'appareil peut fonctionner en commutant la puissance de fonctionnement. Le câble de raccordement est fourni avec l'appareil.

- i. Connecter le câble de raccordement à la fiche de connexion J4 de 3,81 mm comme indiqué sur l'illustration 2.
- ii. Insérer les extrémités dénudées du fil dans la borne aussi loin que possible. Serrer les vis de borne à 0,25 Nm (2,2 in-lb) au maximum.
- iii. Brancher le connecteur dans le réceptacle J4 sur la plaquette de circuits imprimés. Le connecteur ne s'installe que dans un sens.

La tonalité sélectionnée retentira lorsque l'appareil sera mis sous tension.

- c. Fin de l'assemblage

- i. Réinstaller le couvercle en vous assurant que le joint est bien en place et comprimé. Serrer les vis du couvercle à 2,8 à 3,4 Nm (25 à 30 in-lb).
- ii. Mettre l'appareil sous tension et passer à la section Tests/fonctionnement.

Tests/fonctionnement :



Ces appareils sont capables de produire des sons suffisamment puissants pour provoquer des lésions auditives. Il est recommandé de porter une protection acoustique appropriée à proximité de l'appareil en cours de tests. Respecter les recommandations de la norme OSHA sur le niveau sonore (29 CFR 1910F).

- A. Une fois l'installation terminée, tester le système pour vérifier que chaque sirène amplifiée fonctionne de manière satisfaisante.
- B. Une fois le test initial du système réalisé, établir un programme de tests périodiques sur cet appareil.
- C. Fournir une copie de ce manuel d'instructions à l'ingénieur responsable de la sécurité, à l'(aux) opérateur(s) système et au personnel d'entretien.

MESSAGE DE SÉCURITÉ DESTINÉ AUX OPÉRATEURS

Même si votre système de signalisation fonctionne correctement, son efficacité n'est peut-être pas optimale. Les personnes concernées peuvent ne pas entendre ou prêter attention à votre signal d'avertissement. Vous devez en tenir compte et vous assurer que votre signal d'avertissement produise l'effet escompté par le biais de tests/sessions de formation appropriés dans le cadre de vos applications spécifiques.

Commande de pièces de rechange

Les pièces de rechange énumérées dans ce manuel peuvent être commandées. En raison des exigences de certification, certains composants ne peuvent être remplacés sur le terrain. Les appareils qui comportent des pièces présentant ce type de dommages doivent être entièrement remplacés ou renvoyés à Federal Signal pour être réparés. Pour commander, appeler l'assistance clientèle de Federal Signal au +1 708-534-3400 ou au +1 800-344-4634.

AVERTISSEMENT – RISQUE D'EXPLOSION

Le remplacement de tout composant peut nuire au bon fonctionnement de la classe I, division 2, groupes A, B, C et D, de la classe II, division 2, groupes F et G, ainsi que de la classe III.

Consignes d'installation et d'entretien

Tableau 3 : Liste des pièces de rechange

Description	Numéro de pièce
Ensemble haut-parleur	K8593103
PCBA	K20000104
Fiche de connexion	K140340

Assistance technique ou réparation

Les produits retournés pour réparation doivent être accompagnés d'un formulaire d'autorisation de retour, disponible auprès de votre distributeur local ou de Federal Signal. Pour toute réparation ou assistance technique Federal Signal, appeler le +1 708-534-4790 ou le +1 800-524-3021.

Pour les manuels d'instructions et des informations sur des produits connexes, consulter : <http://www.fedsig.com>.

Retour du produit et avoir

Avant de renvoyer tout produit à Federal Signal en vue d'obtenir un avoir, vous devez obtenir une autorisation de renvoi auprès de votre distributeur local. Veuillez contacter votre distributeur pour obtenir de l'aide.

Un produit peut être renvoyé en vue d'obtenir un avoir s'il remplit les conditions suivantes :

- Le produit peut être revendu et est restitué dans son emballage d'origine.
- Le produit n'a pas encore été installé.
- Le produit est le modèle le plus récent.
- Le produit n'a pas encore été réparé.
- Le produit est un produit normalisé.
- Le produit n'est pas une pièce détachée.

Tous les renvois de produits font l'objet de frais de restockage.

Les produits défectueux retournés au cours de la période de garantie seront réparés ou remplacés à la discrétion de Federal Signal. Les produits dont la lampe est défectueuse ne sont pas considérés comme des produits défectueux.

Les cas autres que ceux cités ci-dessus seront examinés au cas par cas.

Consignes d'installation et d'entretien

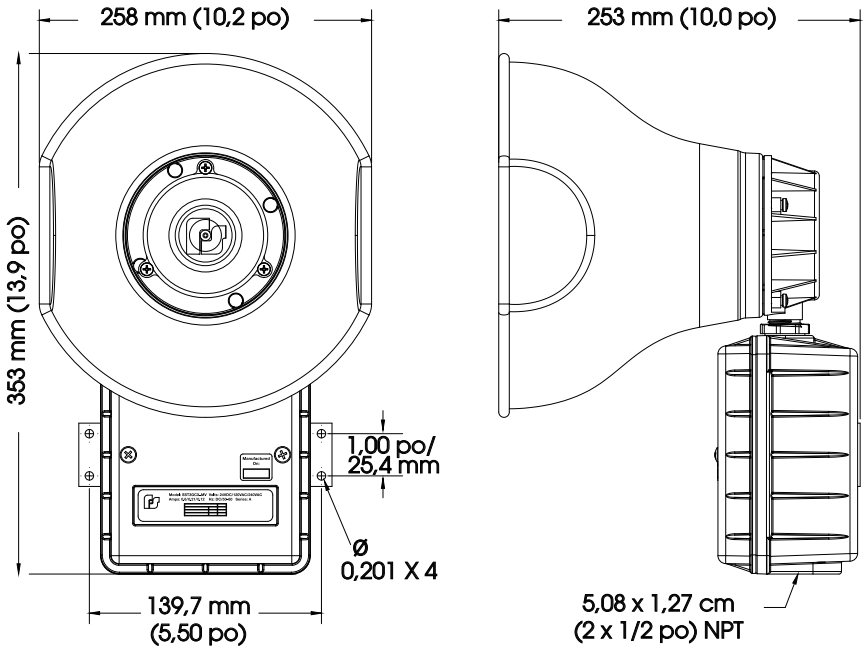


Illustration 1 Dimensions de montage

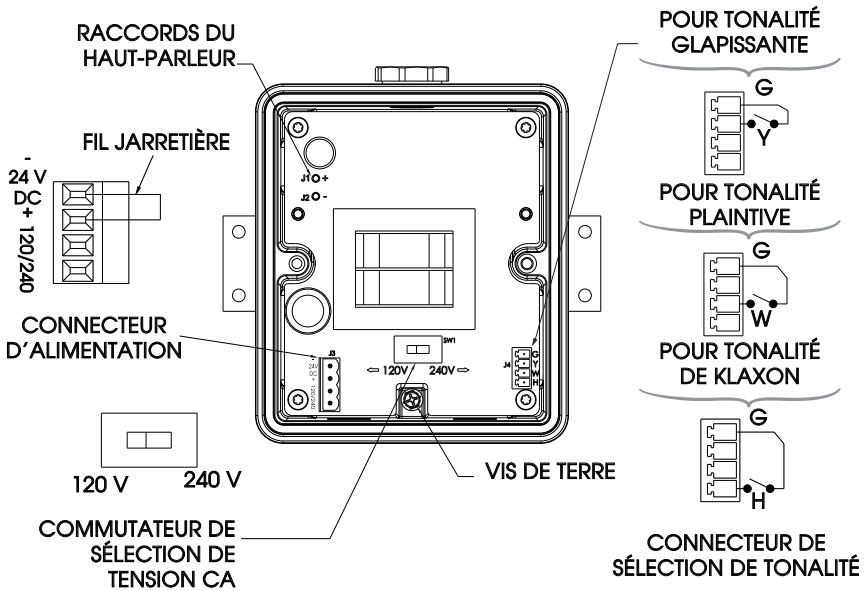


Illustration 2 Branchements électriques

Sirène sélectionnable à distance



2645 Federal Signal Drive
University Park, IL. 60484-3167

www.fedsig.com

Assistance clientèle : +1 800-344-4634 • +1 708 534-4756

Assistance technique : +1 800-524-3021 • +1 708 534-4790