



► Model RSL-WM

Radiant Wiring Modules

RSL-WML and RSL-WMH steady light effect models offer 7 electrical contacts, allowing for up to 7 light modules; 6 light modules + 1 sound module (1 channel) or 5 light modules + 1 sound module (2 channels).

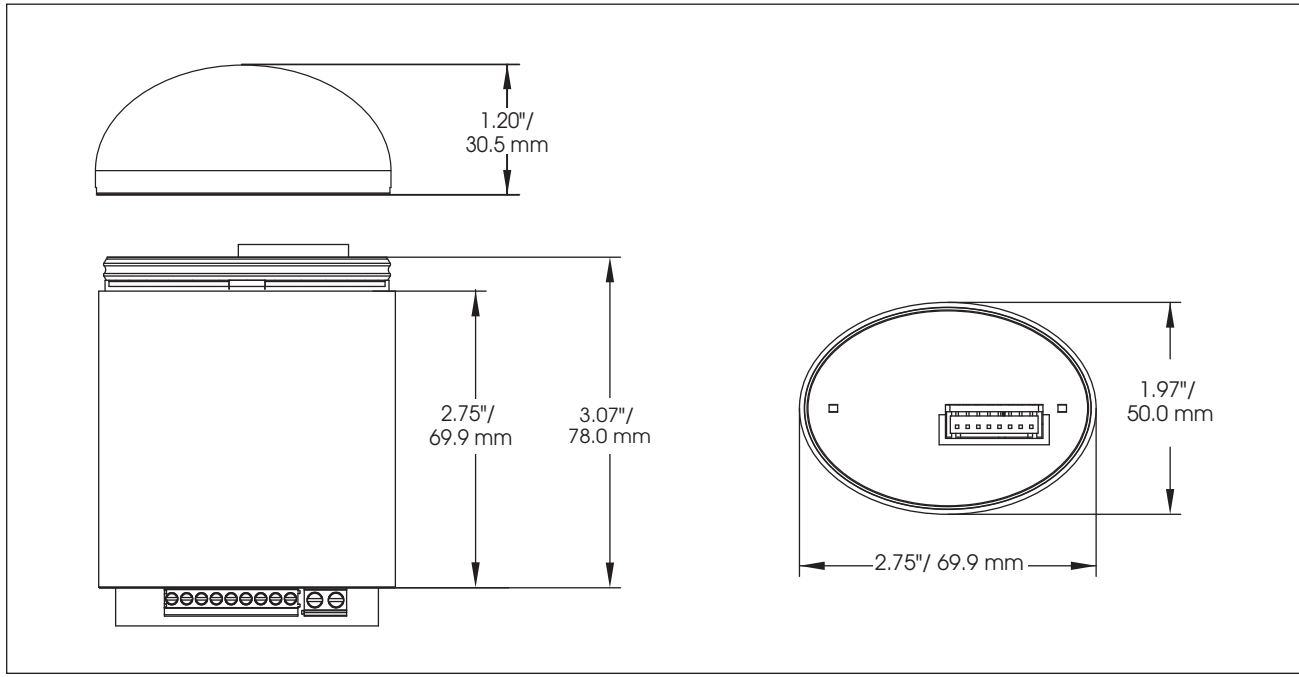
RSL-WMLM and RSL-WMHM share the same features as the RSL-WML and RSL-WMH with the added benefit of the ability to generate a flashing sequence in any of the individual modules via electrical contacts or PLC. The RSL-WMLM and RSL-WMHM have four integrated light effects: single flash, double flash, triple flash and simulated strobe.

A top cap is provided with each wiring module.

F E A T U R E S

- Modular design allows up to 7 light modules; 6 light modules + 1 sound module (1 channel) or 5 light modules + 1 sound module (2 channels)
- Steady effect for models WML or WMH
- Four flash patterns available in models WMLM or WMHM
- Available in 12-24VAC/DC or 120-240VAC
- Available in gray or black housings
- Indoor/outdoor use
- Type 4X, IP65 enclosure when installed with both gaskets included on each module
- RoHS Compliant
- UL and cUL Listed, CE Certified

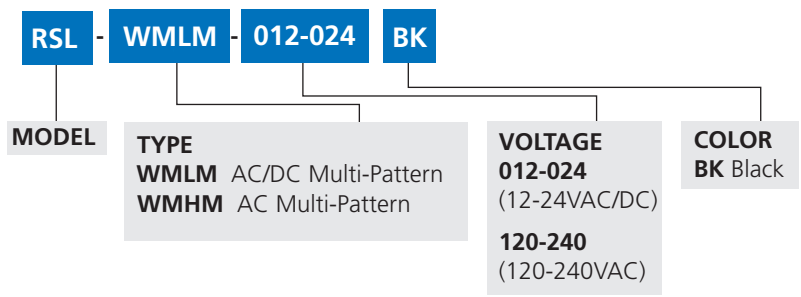
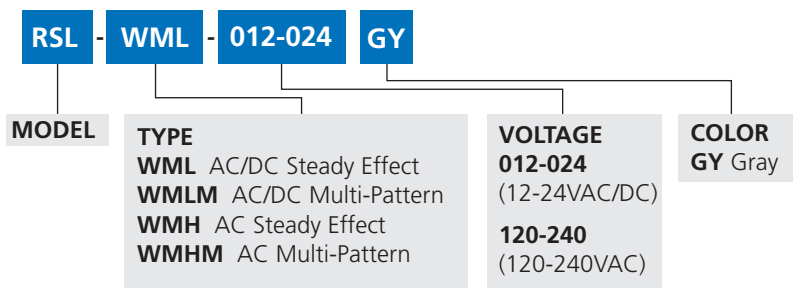
Radiant Wiring Modules (RSL-WM)



SPECIFICATIONS

Operating Temperature:	-22° to 122°F	30° to 50°C
Net Weight:	5.64 oz	0.16 kg

HOW TO ORDER



Stack Light Configuration Steps:

- 1: Select your mounting base
- 2: Select your wiring module based on:
 - A: Voltage
 - B: Steady or flashing effects
- 3: Select your light module(s) based on:
 - A: Color
 - B: Brightness
 - C: Lens type
 - D: Steady or flashing effects
- 4: Select your sound module (optional)