



► Model RSL-SM and RSL-SMM

Radiant Sound Module

Radiant sound modules add an audible alert to a visual stack light application. Depending on the application need, there are two possible solutions:

RSL-SM contains 2 tones (intermittent and continuous) over 2 channels. It allows for use of both channels, by connecting 2 of the 7 available contacts of the wiring module.

RSL-SMM contains 16 tones (mixed types) over 2 channels. It allows for use of both channels, by connecting 2 of the 7 available contacts of the wiring module. For each channel it is possible to select the sound via dip-switch prior to assembling the unit.

FEATURES

- Modular design offers up to 7 light modules; 6 light modules & 1 sound module (1 channel) or 5 light modules & 1 sound module (2 channels)
- RSL-SM contains 2 tones, RSL-SMM contains 16 tones
- Volume control in model RSL-SMM
- Compatible with 12-24VAC/DC or 120-240VAC*
- Indoor/outdoor use
- PLC compatible
- Type 4X, IP65 enclosure when installed with both gaskets included on each module
- RoHS Compliant
- UL and cUL Listed, CE Certified

*Voltage dependent on selected wiring module



Wiring Modules

MODEL RSL-SM	DECIBELS @ 1M		MAXIMUM OPERATING CURRENT* (mA)			
	MIN.	MAX.	24VDC	24VAC	120VAC	240VAC
RSL-WML/RSL-WMH	N/A**	87	50	120	30	25
RSL-WMLM/RSL-WMHM	N/A**	87	65	130	30	25

*Maximum operating current is for one module. For multiple modules the current will have to be added throughout the configuration to get the total maximum operating current.

**Model RSL-SM does not offer volume control

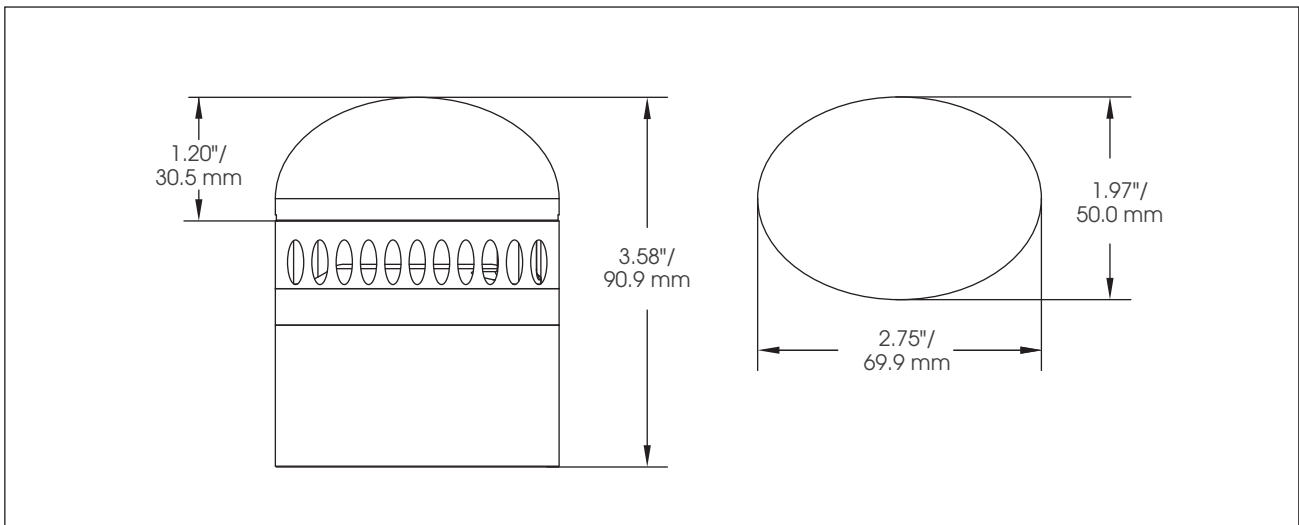


Wiring Modules

MODEL RSL-SMM	DECIBELS @ 1M		MAXIMUM OPERATING CURRENT* (mA)			
	MIN.	MAX.	24VDC	24VAC	120VAC	240VAC
RSL-WML/RSL-WMH	60	90	200	450	100	50
RSL-WMLM/RSL-WMHM	60	90	200	450	100	50

*Maximum operating current is for one module. For multiple modules the current will have to be added throughout the configuration to get the total maximum operating current.

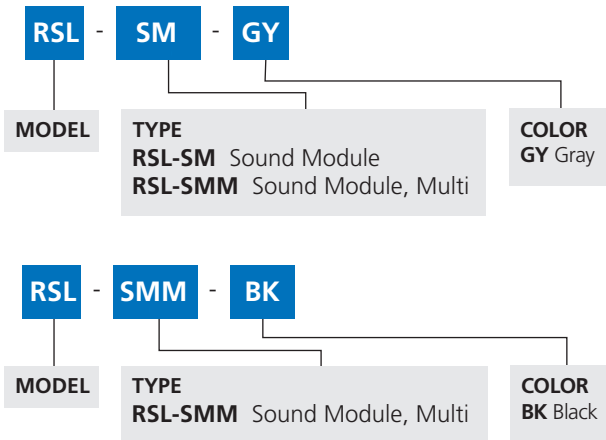
Radiant Sound Module (RSL-SM/RSL-SMM)



SPECIFICATIONS

Operating Temperature:	-22° to 122°F	-30° to 50°C
Net Weight:		
RSL-SM	2.82 oz	0.08 kg
RSL-SMM	3.17 oz	0.09 kg

HOW TO ORDER



Stack Light Configuration Steps:

- 1: Select your mounting base
- 2: Select your wiring module based on:
 - A: Voltage
 - B: Steady or flashing effects
- 3: Select your light module(s) based on:
 - A: Color
 - B: Brightness
 - C: Lens type
 - D: Steady or flashing effects
- 4: Select your sound module (optional)