

# Radiant Stack Light

## Configurable to fit every need

The Radiant modular stack light allows for up to 7 light modules; 6 light modules and 1 sound module (1 channel); or 5 light modules and 1 sound module (2 channels).

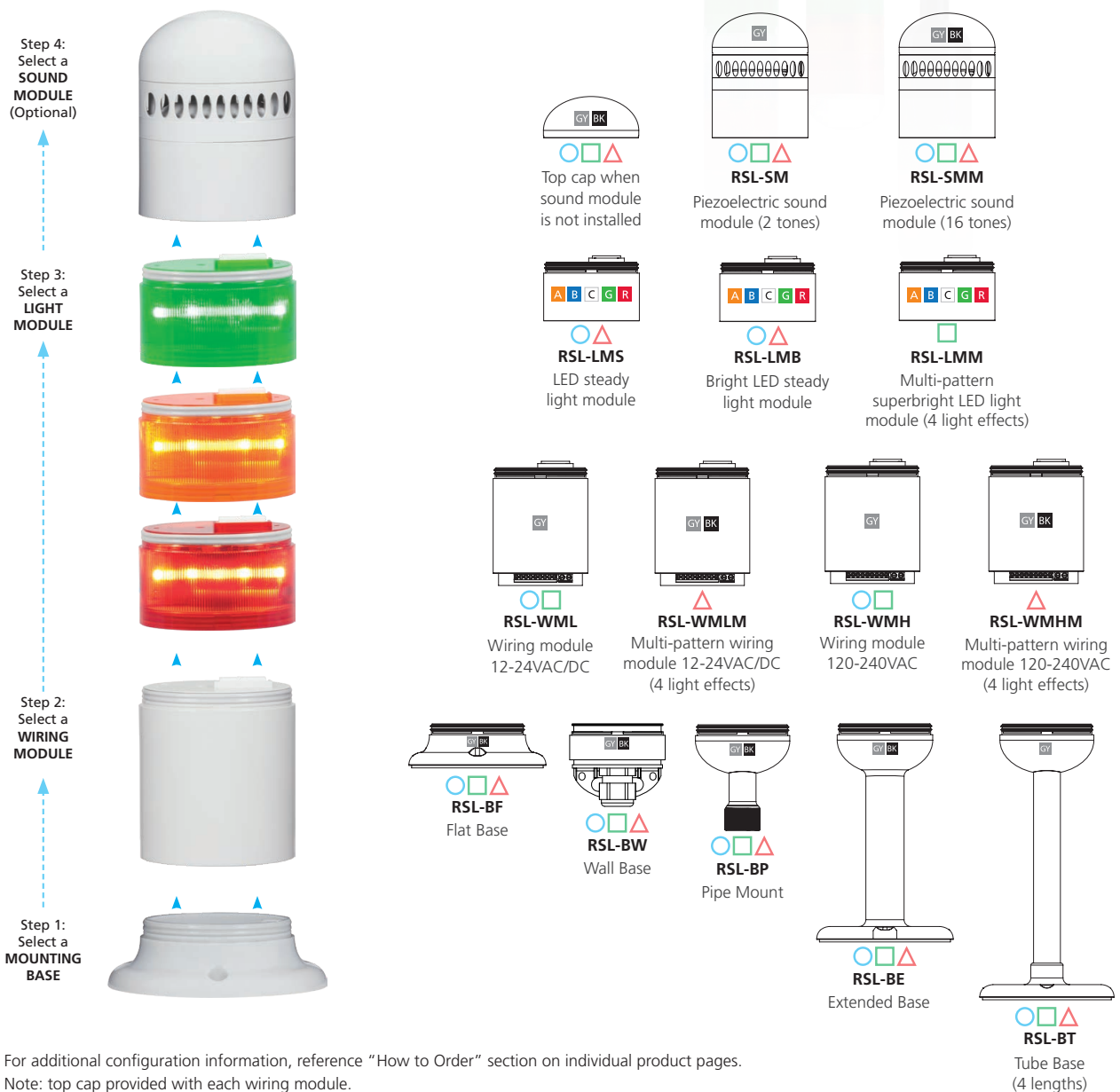


### How to Configure Your Stack Light

Follow the to configure a *steady* stack light.

Follow the to configure a *flashing* stack light with *flashing controls in the light module*.

Follow the to configure a *flashing* stack light with *flashing controls in the wiring module*.



For additional configuration information, reference "How to Order" section on individual product pages.  
Note: top cap provided with each wiring module.

Model RSL-B

# Radiant Mounting Options

Five base options allow for mounting flexibility

**Flat Base** – Designed for flat surface mounting when cabling from the bottom of the device and a compact design is needed.


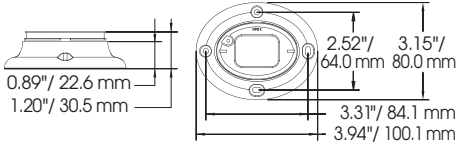

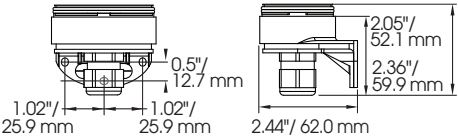
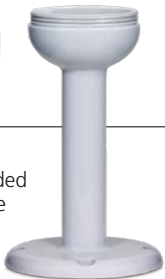
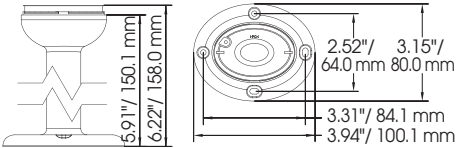

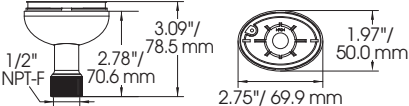
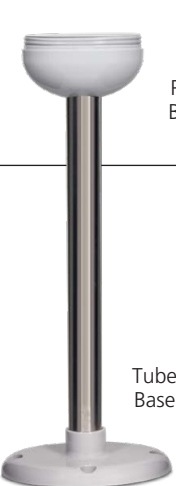
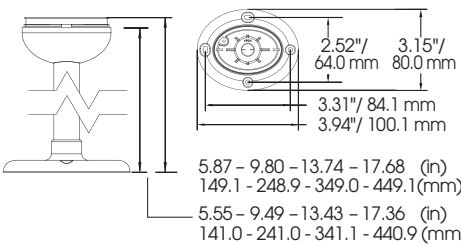
**Wall Base** – Designed for lateral or wall mounting.

**Extended Base** – Designed for mounting on a flat surface. Allows for an additional lift of 3.94" (100 mm).

**Pipe Base** – Designed for installation on a 1/2" NPT pipe.

**Tube Base** – Designed for flat surface mounting, featuring a stainless steel extension tube when a higher profile design is needed. Lengths available: 5.55" (141mm), 9.49" (241mm), 13.43" (341mm) and 17.36" (441mm).

HOW TO ORDER

	Model Number	Base Color	Weight	
 <p>Flat Base</p>	RSL-BF-GY	Gray	1.76 oz 0.05 kg	
	RSL-BF-BK	Black		
 <p>Wall Base</p>	RSL-BW-GY	Gray	2.12 oz 0.06 kg	
	RSL-BW-BK	Black		
 <p>Extended Base</p>	RSL-BE-GY	Gray	2.50 oz 0.07 kg	
	RSL-BE-BK	Black		
 <p>Pipe Base</p>	RSL-BP-GY	Gray	2.82 oz 0.08 kg	
	RSL-BP-BK	Black		
 <p>Tube Base</p>	RSL-BT1-GY 5.55" / 141.0 mm	Gray	3.53 oz 0.10 kg	 <p>5.87 – 9.80 – 13.74 – 17.68 (in) 149.1 – 248.9 – 349.0 – 449.1 (mm)</p> <p>5.55 – 9.49 – 13.43 – 17.36 (in) 141.0 – 241.0 – 341.1 – 440.9 (mm)</p>
	RSL-BT2-GY 9.49" / 241.0 mm		4.94 oz 0.14 kg	
	RSL-BT3-GY 13.43" / 341.1 mm		6.35 oz 0.18 kg	
	RSL-BT4-GY 17.36" / 440.9 mm		7.76 oz 0.22 kg	