



► Model RSL-LMS

# Radiant Steady Light Module

RSL-LMS offers a steady LED light with high optical performance. Its modular design and simple functionality are the right choice for a basic stack light application.

RSL-LMS-F consists of a colored fresnel lens with a colored light source. The use of a colored lens with the same colored LED allows optimization of the emission frequency, producing a rich intense light output.

RSL-LMS-O consists of an opaque colored lens with a colored LED. The opaque characteristic allows an optimally diffused light without disturbing the operator.

## FEATURES

- Modular design allows up to 7 light modules; 6 light modules & 1 sound module (1 channel) or 5 light modules & 1 sound module (2 channels)
- Steady light effect with 6 LEDs
- Two lens types: Fresnel and Opaque
- Compatible with 12-24VAC/DC or 120-240VAC\*
- Indoor/outdoor use
- PLC compatible
- Type 4X, IP65 enclosure when installed with both gaskets included on each module
- RoHS Compliant
- UL and cUL Listed, CE Certified

\*Voltage dependent on selected wiring module

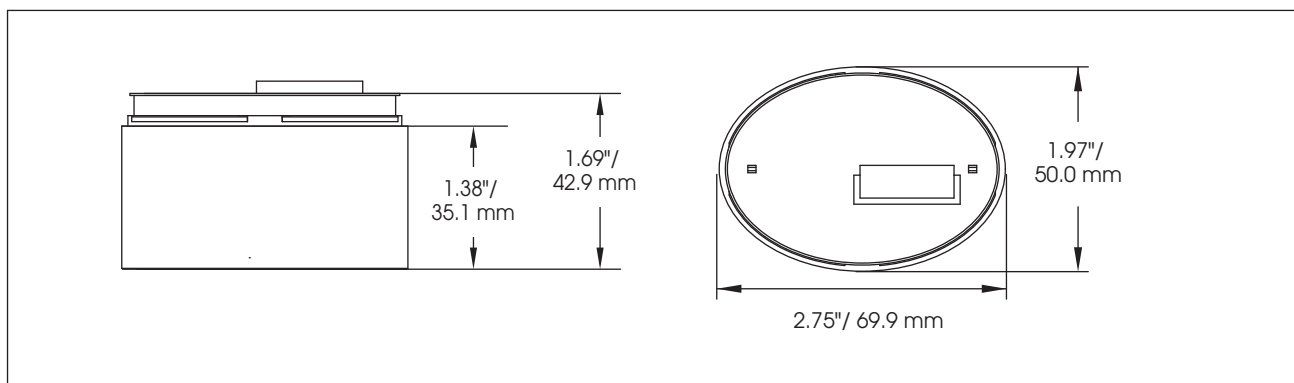


Wiring Modules

MODEL RSL - LMS	MAXIMUM OPERATING CURRENT* (mA)			
	24VDC	24VAC	120VAC	240VAC
<b>RSL-WML/RSL-WMH</b>	35	75	30	25
<b>RSL-WMLM/RSL-WMHM</b>	50	110	30	25

\*Maximum operating current listed is for one module. For multiple modules the current will have to be added together throughout the configuration to get the total maximum operating current.

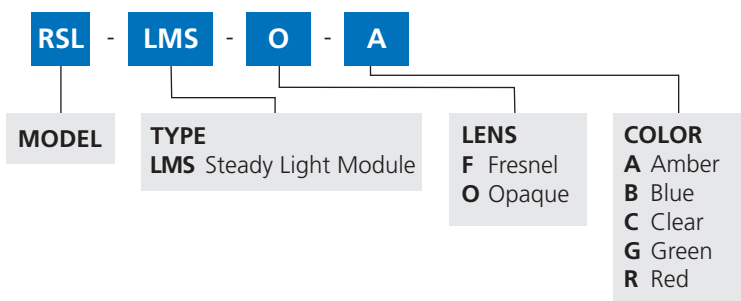
## Radiant Steady Light Module (RSL-LMS)



### SPECIFICATIONS

Operating Temperature:	-22° to 122°F	-30° to 50°C
Lamp Life:		50,000 Hours
Light Source:		LED
Net Weight:	1.41 oz	0.04 kg

### HOW TO ORDER



#### Stack Light Configuration Steps:

- 1: Select your mounting base
- 2: Select your wiring module based on:
  - A: Voltage
  - B: Steady or flashing effects
- 3: Select your light module(s) based on:
  - A: Color
  - B: Brightness
  - C: Lens type
  - D: Steady or flashing effects
- 4: Select your sound module (optional)

#### Order Example for a Steady Radiant Stack Light

Example of what is needed to order a model with 120VAC, Steady, Red, Amber & Green LEDs, Fresnel Lens, Flat Surface Mount, Gray Housing

QTY	MODEL	DESCRIPTION
1	<b>RSL-BF-GY</b>	Flat Base, Gray
1	<b>RSL-WMH-120-240GY</b>	120-240VAC Standard Wiring Module, Gray
1	<b>RSL-LMS-F-R</b>	Steady Light Module, Fresnel Lens, Red
1	<b>RSL-LMS-F-A</b>	Steady Light Module, Fresnel Lens, Amber
1	<b>RSL-LMS-F-G</b>	Steady Light Module, Fresnel Lens, Green