



► Model FHEX

Explosion-Proof Vibrating Horn

Federal Signal's Model FHEX Explosion-Proof Vibrating Horn produces a loud and distinctive tone by the electromechanical vibration of a diaphragm. This horn is designed for use in alarm notification systems and is compatible with fire alarm and suppression supervised control panels and power boosters.

The Model FHEX operates on 24VDC and produces a very loud 99 dBa @ 10' (109 dBa @ 1m).

Model FHEX is housed in a heavy duty, copper-free cast aluminum housing tapped for 3/4" conduit. The housing is sealed with red powder coat paint and utilizes a stainless steel diaphragm for long life.

FEATURES

- 24VDC
- Produces 99 dBa @ 10' (109 dBa @ 1m)
- Supervisory diode and four wires
- Cast aluminum housings
- Duty cycle 5 minutes on – 5 minutes off
- CSFM Approved
- UL and cUL Listed for Class I, Division 1, Groups C and D; Class II, Division 1, Groups E, F, and G; Class III

| MODEL | VOLTAGE | OPERATING CURRENT | SPL PER UL 1480 | |
|-------------------|---------|-------------------|-----------------|---------|
| | | | 10' | 1M |
| FHEX-24SMR | 24VDC | 1.20 amps | 99 dBa | 109 dBa |

HAZARDOUS LOCATION RATING: FHEX

T-CODE AT MAXIMUM AMBIENT TEMPERATURE, °C

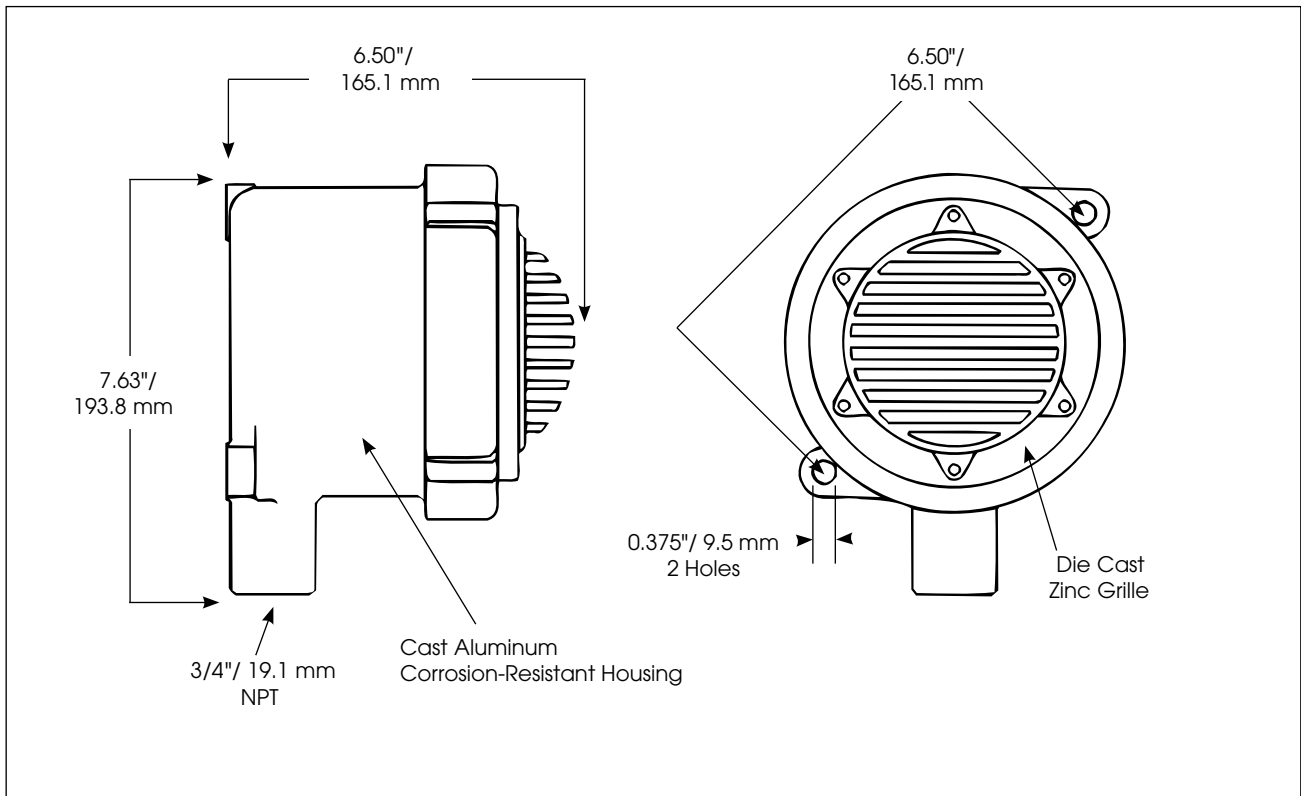
Hazardous Location **40°C**

Class I, Division 1, Groups C, D T6

Class II, Division 1, Groups E, F, G T6

Class III T6

Explosion-Proof Vibrating Horn (FHEX)



SPECIFICATIONS

| | | |
|------------------------|----------------|---------------|
| Operating Temperature: | -31°F to 150°F | -35°C to 66°C |
| Net Weight: | 9.0 lbs | 4.1 kg |
| Shipping Weight: | 10.3 lbs | 4.7 kg |
| Height: | 7.63" | 193.8 mm |
| Depth: | 6.50" | 165.1 mm |
| Diameter: | 6.50" | 165.1 mm |

HOW TO ORDER

Specify Model:

FHEX-24SMR – Explosion-Proof Vibrating Horn