

► Model FB2LED

# Fireball® LED Warning Light



A B C G R

Model FB2LED is a multi-pattern LED available in five colors and features Federal Signal's patented Power Select™ technology. Power Select™ allows a user to select one of three flash patterns (60FPM, 120FPM or steady) without having to open the device. Units will come pre-set at 60FPM, but users can select one of the other two flash patterns by following a sequence when power is applied to the unit.

FB2LED is available in 12-24VDC and 120-240VAC. The base features an integrated 1/2-inch NPT pipe mount as well as the three holes required for surface mount configurations.

The housing for FB2LED is designed to protect against corrosion, vibration, and water- and dust-ingress in harsh applications including industrial warning, process control, status indication, and food processing.

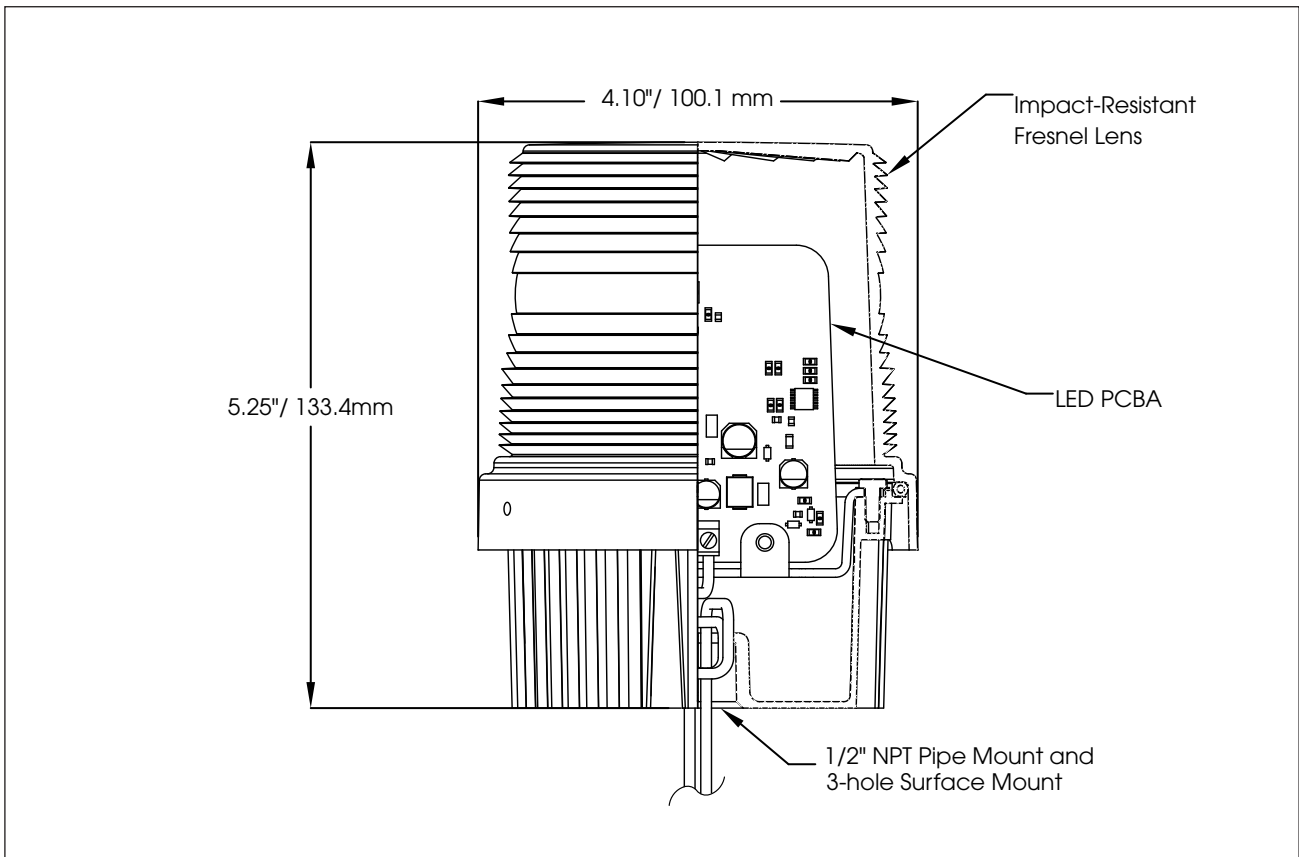
## FEATURES

- Available in 12-24VDC or 120-240VAC
- Five lens colors: Amber, Blue, Clear, Green, and Red
- 50,000 hour LED
- Patented Power Select™ technology
- Three flash pattern options: 60FPM, 120FPM and steady
- Integrated 1/2-inch NPT pipe and surface mount
- Indoor/outdoor use
- Type 4X, IP66, IP69K enclosure
- UL and cUL Listed

MODEL	VOLTAGE	OPERATING CURRENT	LIGHT OUTPUT	MOUNT
<b>FB2LED-012-024 *</b>	12-24VDC	0.48-0.24 amps	300 cd	1/2" NPT Pipe/Surface
<b>FB2LED-120-240 *</b>	120-240VAC 50/60Hz	0.03 amps	300 cd	1/2" NPT Pipe/Surface

\* Indicates color: (A) Amber, (B) Blue, (C) Clear, (G) Green, or (R) Red

Fireball® LED Warning Light (FB2LED)



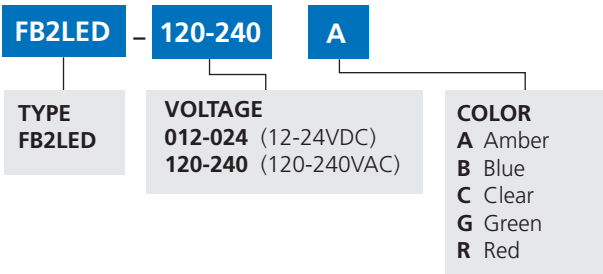
SPECIFICATIONS

Lamp Life:		50,000 Hours
Light Source:		LED
Operating Temperature:	-49°F to 151°F	-45°C to 66°C
Net Weight:	1.5 lbs	0.68 kg
Shipping Weight:	1.8 lbs	0.82 kg
Height:	5.25"	133.4 mm
Diameter:	4.10"	104.1 mm

REPLACEMENT PARTS

Description	Part Number
PCBA, 12-24VDC, for Amber, Green, or Red units	K20000401A
PCBA, 12-24VDC, for Blue or Clear units	K20000401A-01
PCBA, 120-240VAC, for Amber, Green, or Red units	K20000426A
PCBA, 120-240VAC, for Blue or Clear units	K20000426A-01

HOW TO ORDER



OPTIONAL ACCESSORIES

Description	Part Number
Corner Bracket	LCMB2*
Wall Bracket	LWMB2*

\* Type 3R rated  
Mounting Brackets shown on pages 134-135