



► Model 224XST

# Electraray® Supervised Hazardous Location Strobe Light

Federal Signal's Electraray® Model 224XST hazardous location strobe light provides 80 high-intensity flashes per minute. The 24VDC 224XST features an in-rush limiting PCB design that provides greater compatibility control systems and less electrical interference with in-rush sensitive devices.

Model 224XST is ideal for wet, corrosive atmospheres or environments that require wash down like those found in food processing, chemical or petro-chemical, or anywhere a highly visible hazardous location signal is needed.

## FEATURES

- 24VDC
- Four wires and supervisory diode
- Integrated in-rush limiting circuit
- Five lens colors: Amber, Blue, Clear, Magenta and Red
- 10,000 hour, high-intensity strobe tube
- 1/2-inch NPT pipe mount
- Aluminum base with black polyurethane coating for superior corrosion resistance
- Conformal coated PCB
- Type 4X, IP66 enclosure
- IP69K compliant
- CSFM Approved
- CSA Certified
- UL and cUL Listed for Class I, Division 2, Groups A, B, C and D; Class II, Division 2, Groups F and G; and Class III

MODEL	VOLTAGE	OPERATING CURRENT	FLASH RATE / MINUTE	CANDELA PEAK <sup>1</sup>	ECP <sup>2</sup>	MOUNT
<b>224XST-024*</b>	24VDC	0.7 amps (2.0 amp, in-rush)	80	580,000	240	1/2" NPT Pipe/Surface

\* Indicates color: (A) Amber, (B) Blue, (C) Clear, (M) Magenta or (R) Red

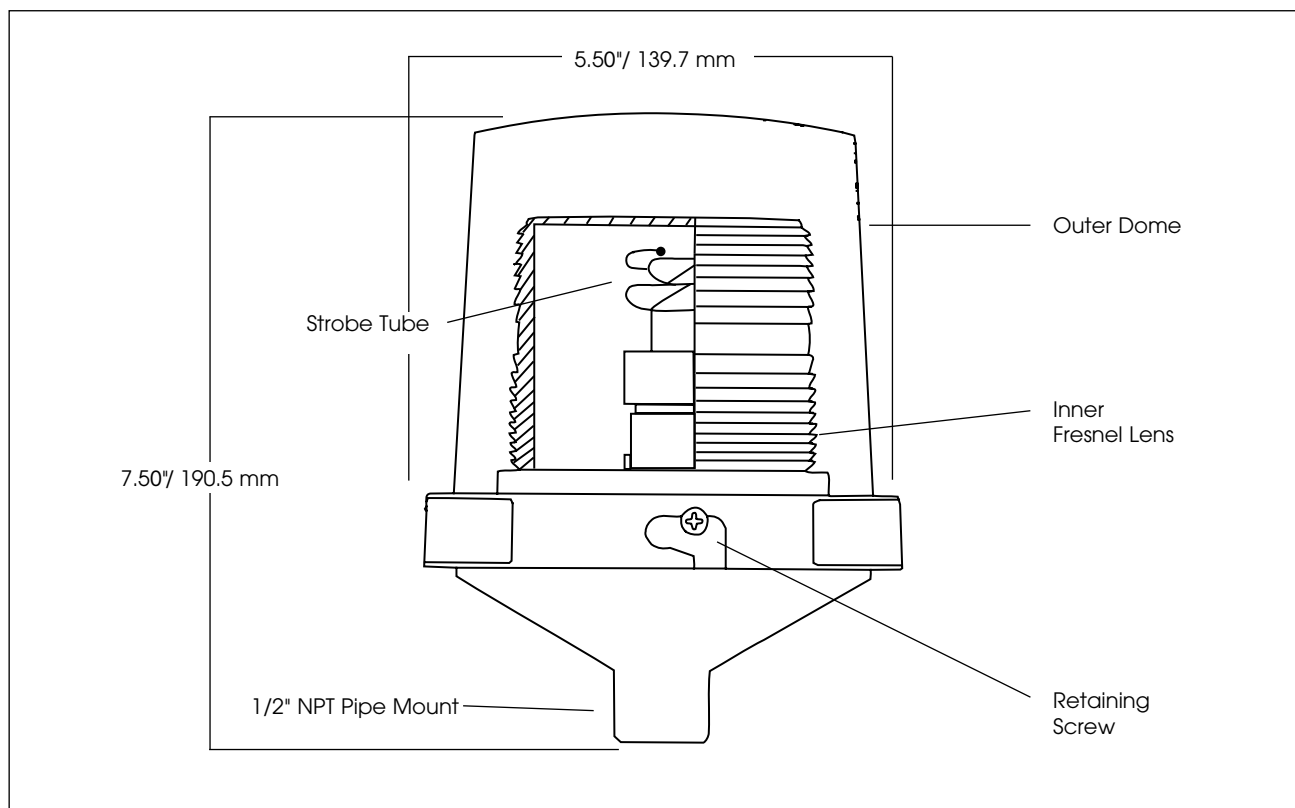
<sup>1</sup> Peak candela is the maximum light intensity generated by a flashing light during its light pulse

<sup>2</sup> ECP (Effective Candela) is the intensity that would appear to an observer if the light were burning steadily

### HAZARDOUS LOCATION RATING: 224XST

T-CODE AT MAXIMUM AMBIENT TEMPERATURE, °C	
<b>HAZARDOUS LOCATION</b>	<b>40°C</b>
Class I, Division 2, Groups A, B, C, D	T2A
Class II, Division 2, Groups F, G	T5
Class III	T5

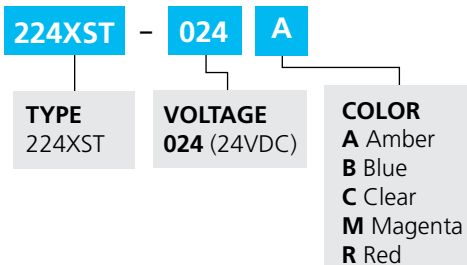
## Electraray® Supervised Hazardous Location Strobe Light (224XST)



### SPECIFICATIONS

Lamp Life:	10,000 Hours	
Lamp Source:	Strobe	
Operating Temperature:	-40°F to 104°F	-40°C to 40°C
Net Weight:	1.5 lbs	0.68 kg
Shipping Weight:	2.0 lbs	0.9 kg
Height:	7.50"	190.5 mm
Diameter:	5.50"	139.7 mm

### HOW TO ORDER



### REPLACEMENT PARTS

Description	Part Number
<b>Interior Lens</b>	
Amber	K8550C095A-02
Blue	K8550C095A-01
Clear	K8550C095A
Magenta	K8550C095A-07
Red	K8550C095A-03
Exterior Dome, Clear	K8444D219C-04
Strobe Tube	K8107177A