

Hazardous Location Supervised Warning Light

Model 154XST



RUGGED DESIGN FOR USE IN HAZARDOUS LOCATIONS

- Available in 24VDC
- Four wires and supervisory diode
- Five dome colors
- 10,000-hour high-intensity strobe
- 3/4-inch NPT pipe mount
- Dome guard included
- Type 4X, IP66 enclosure
- Marine Rated
- Supervisable 4-wire power circuit
- CSFM Approved
- Indoor/outdoor use
- UL and cUL Listed

Federal Signal's Model 154XST hazardous location strobe light provides 80 high-intensity flashes per minute. This warning light is available in 24VDC with a 4-wire supervisable power circuit for fire alarm and suppression supervised control panels.

The Model 154XST strobe light is UL and cUL Listed for Class I, Division 2, Groups A, B, C and D; Class II, Division 1, Groups E, F and G; and Class III.

The 154XST meets Type 4X water-tight, dust-tight, and corrosion-resistant requirements; constructed to IP66. This hazardous location warning light has an aluminum base, coated for corrosion-resistance that is ready for surface mounting or mounting on a 3/4-inch pipe. The Dome Guard (included) fits over the glass dome to protect it against accidental collision with moving equipment, such as fork-lifts. The 154XST contains a diode and four wire leads for use in fire alarm applications.

The 154XST has an effective candela (ECP) of 165 and a 520,000 peak candela. It is available in five dome colors, including amber, blue, clear, green and red. Federal Signal's rugged 154XST strobe warning light is specifically designed for hazardous locations or corrosive environments where a very bright visual signal is required. This warning light can be used for plant evacuation or other communication needs.

Model	Voltage	Current Draw	Flash Rate/ Minute	Candela Peak ³	Mount
154XST- <u>112-24</u> ²	24VDC	0.60 amps	80	520,000	3/4" NPT pipe

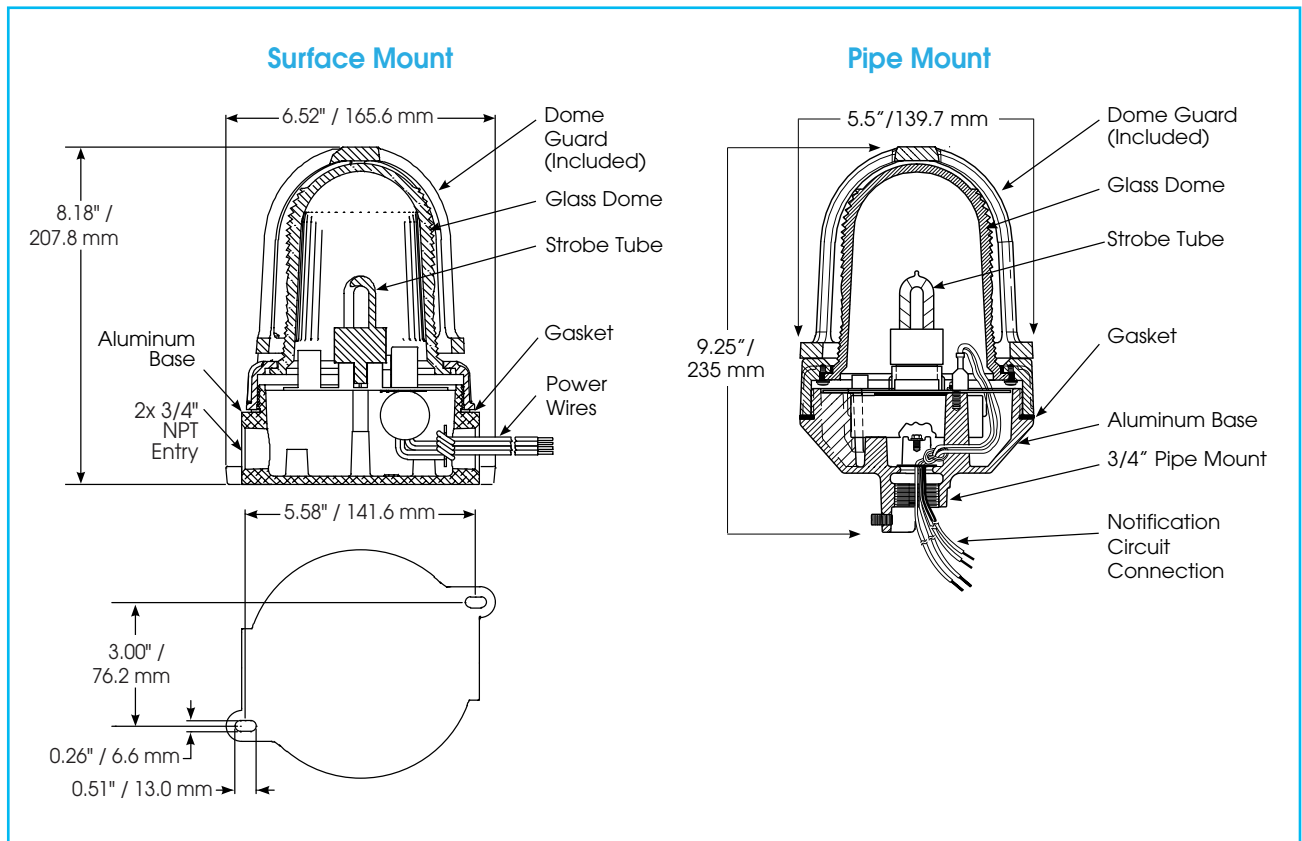
¹Include (S) for Surface Mount only

²Indicates color: (A) Amber, (B) Blue, (C) Clear, (G) Green or (R) Red

³ Peak candela is the maximum light intensity generated by a flashing light during its light pulse



HAZARDOUS LOCATION STROBE LIGHT (154XST)



SPECIFICATIONS

Lamp Life:	10,000 Hours	10,000 Hours
Lamp Source	Strobe	Strobe
Operating Ambient Temperature:	-67°F to 150°F	-55°C to 66°C
Net Weight:	3.8 lbs.	1.7 kg
Shipping Weight:	4.5 lbs.	2.0 kg
Height:	9.25"	235 mm
Diameter:	5.5"	139.7 mm

HOW TO ORDER

- Specify model, mount, voltage and color
- Please refer to Model Number Index 154XST beginning on page 377

REPLACEMENT PARTS

<u>Description</u>	<u>Part Number</u>	<u>Description</u>	<u>Part Number</u>
<u>Series C Dome and Ring Assembly*</u>			
Dome & Ring Assembly, Amber	K8449078C-01	PC Assembly, 24VDC	K2001173A
Dome & Ring Assembly, Blue	K8449078C-06	Strobe Tube	K149122B
Dome & Ring Assembly, Clear	K8449078C-04	Dome Gaskets	K8449080B
Dome & Ring Assembly, Green	K8449078C-07	Guard	K8449090B
Dome & Ring Assembly, Red	K8449078C		

* Call the factory for Series A and B part numbers.