

Acoustic Design™ Series



Quick Start Guide

Set the Transformer Tap Switch

Refer to Figure 1 through Figure 4 and – Table 1 through – Table 3

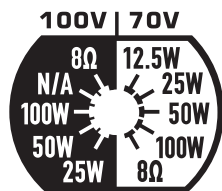


NOTE: The AD-S12 does not have a transformer setting

AD-S10T

| 100 Volt | 70 Volt |
|----------|---------|
| 8 Ω | 8 Ω |
| N/A | 100W |
| 100W | 50W |
| 50W | 25W |
| 25W | 12.5W |

– Table 1 –

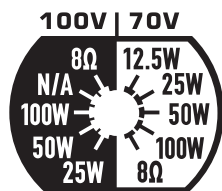


– Figure 1 –

AD-S6T, AD-S8T

| 100 Volt | 70 Volt |
|----------|---------|
| 8 Ω | 8 Ω |
| N/A | 60W |
| 60W | 30W |
| 30W | 15W |
| 15W | 7.5W |

– Table 2 –

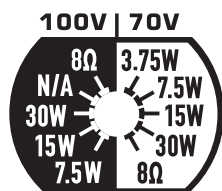


– Figure 2 –

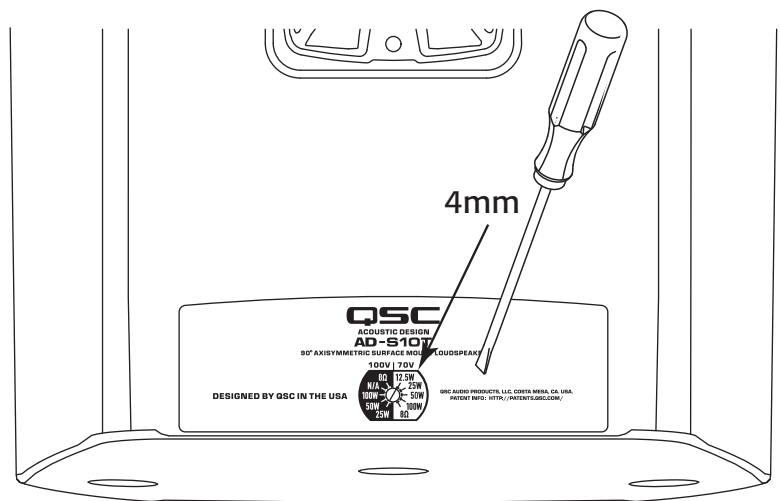
AD-S4T

| 100 Volt | 70 Volt |
|----------|---------|
| 8 Ω | 8 Ω |
| N/A | 30W |
| 30W | 15W |
| 15W | 7.5W |
| 7.5W | 3.75W |

– Table 3 –



– Figure 3 –



– Figure 4 –

TD-000330-00-E



Install the X-Mount™ Bracket



WARNING! Install the system in accordance with local building codes and regulations. Use a licensed contractor or professional engineer. QSC Audio Products is not responsible for damages resulting from the negligent installation of any bracket or loudspeaker.

Refer to Figure 5

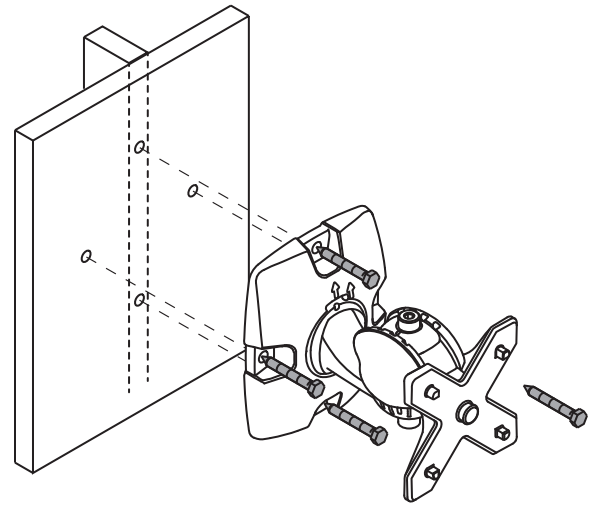
Mount to a surface capable of supporting the weight of the loudspeaker.

Adjust the Angle of the Bracket

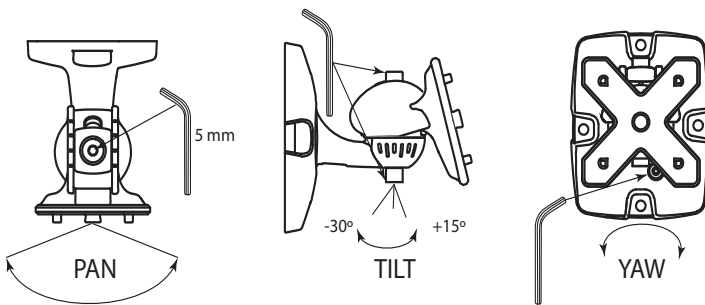
Refer to Figure 6



NOTE: This step may be done now or after mounting the loudspeaker.



– Figure 5 –



– Figure 6 –

| Model | Pan | Tilt | Yaw |
|---------|---------|--------------|---------|
| AD-S4T | +/- 75° | +15°, -30° | N/A |
| AD-S6T | +/- 75° | +15°, -30° | N/A |
| AD-S8T | +/- 68° | +15°, -30° | +/- 15° |
| AD-S10T | +/- 53° | +15°, -22.5° | +/- 15° |
| AD-S12 | +/- 45° | +15°, -22.5° | +/- 15° |

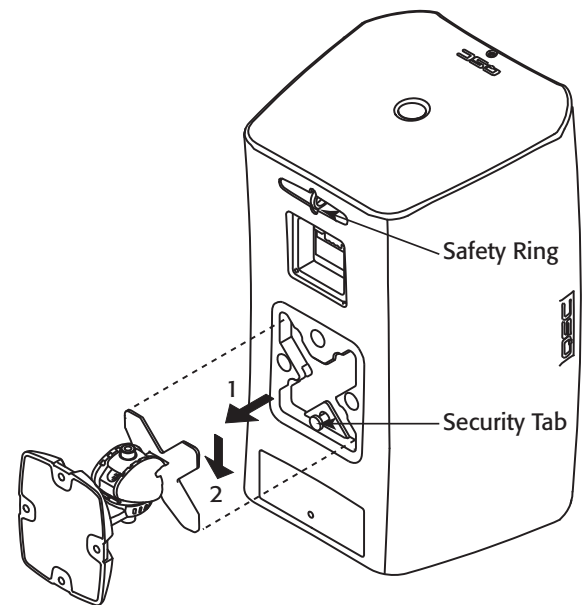
– Table 4 –

Mount the Loudspeaker on the X-Mount™ Bracket

Refer to Figure 7



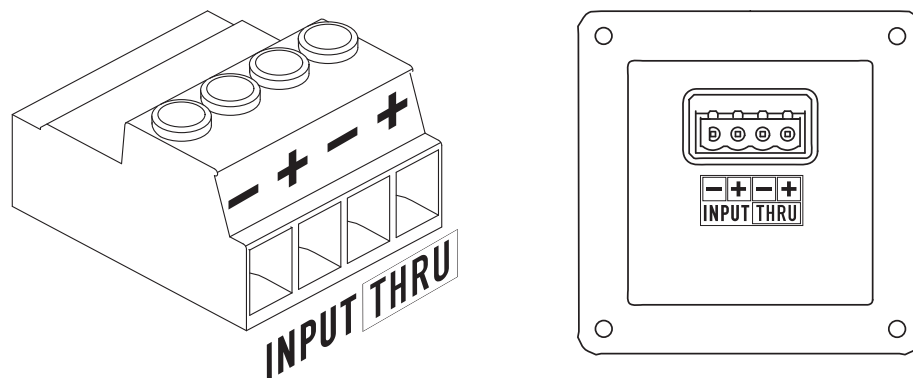
WARNING! The X-Mounts supplied with the AD-S6T and AD-S4T are specifically designed for the working load of the loudspeaker. These mounts are not interchangeable. Only use the X-Mount supplied with your loudspeaker.



– Figure 7 –

Wire the Loudspeaker

Refer to Figure 8.



– Figure 8 –

Warranty

For a copy of the QSC Limited Warranty, visit the QSC Audio Products website at www.qsc.com

