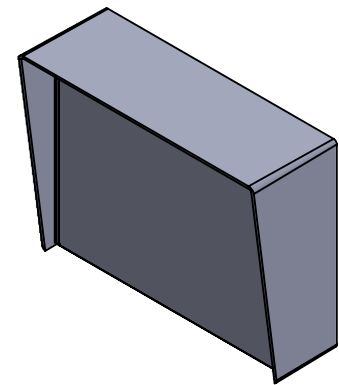


AVAILABLE CUTOUT AREA



PEDESTALPRO.COM
1-800-660-3072

UNLESS OTHERWISE SPECIFIED:

DIMENSIONS ARE IN INCHES
TOLERANCES:
FRACTIONAL $\pm 1/32$
ANGULAR: $\pm 2^\circ$
TWO PLACE DECIMAL ± 0.010
THREE PLACE DECIMAL ± 0.005

INTERPRET GEOMETRIC
TOLERANCING PER:
ASME Y14.5 -2009

NAME DATE

DRAWN

CHECKED

PROPRIETARY AND CONFIDENTIAL

THE INFORMATION CONTAINED IN THIS
DRAWING IS THE SOLE PROPERTY OF
PEDESTALPRO LLC. ANY REPRODUCTION
IN PART OR AS A WHOLE WITHOUT THE
WRITTEN PERMISSION OF PEDESTALPRO LLC
IS PROHIBITED.

TITLE:

INSTALLATION

Friday, March 8, 2019
3:13:13 PM

WEIGHT:

SIZE
A

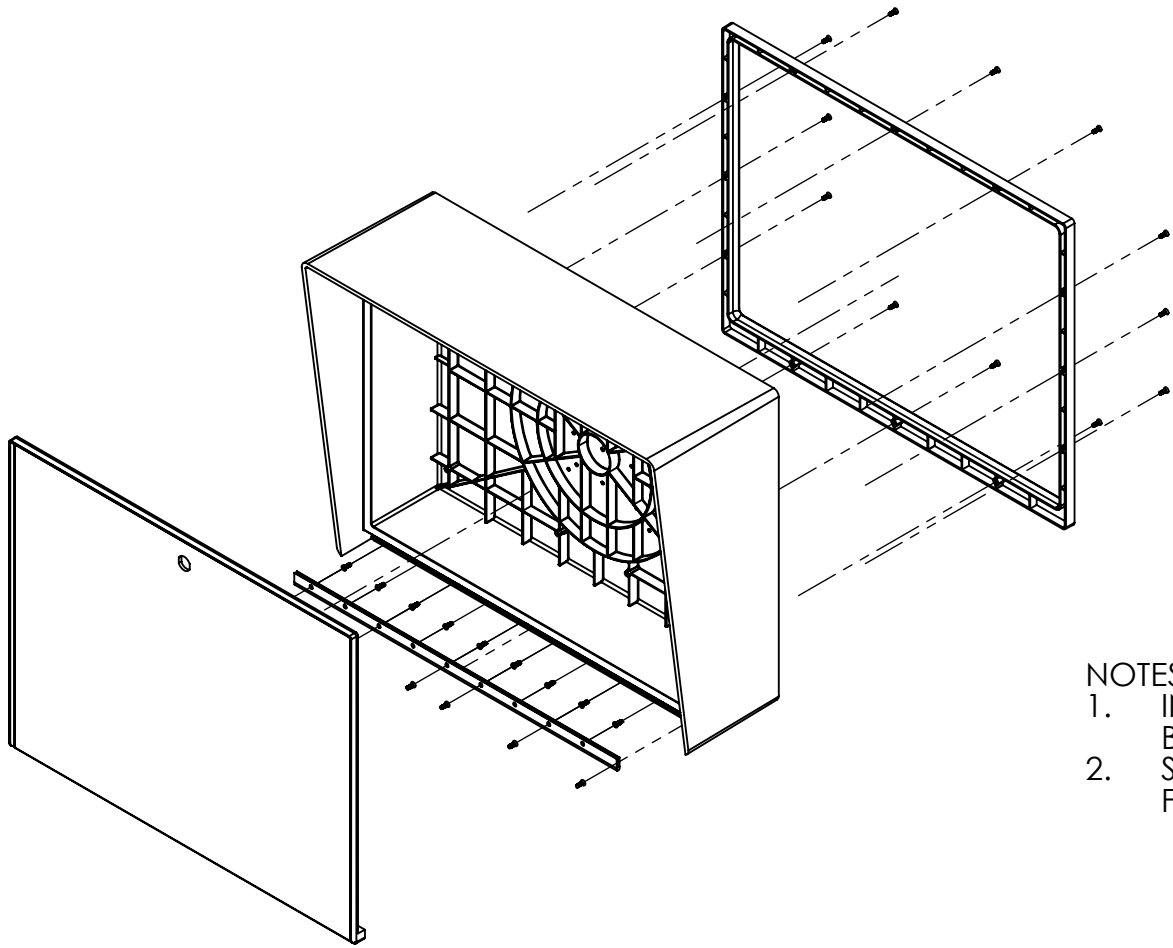
PART NO.
LANDO-PC-20X16-E

REV
A

NO SCALE

SHEET 1 OF 5

ITEM NO.	PART NUMBER	DESCRIPTION	QTY.
1	LANDO-PC-20X16-E HOUSING	POLYCARBONATE HOUSING	1
2	LANDO-PC-20X16-E RETAINING RING	POLYCARBONATE RING	1
3	LANDO-PC-20X16-E DOOR	POLYCARBONATE DOOR	1
4	HINGE	PIANO HINGE	1
6	--	6-32 SS PHILLIPS FLAT HEAD SCREWS	27



- NOTES:
1. INJECTION MOLDED ABS/POLYCARBONATE BLEND, BLACK COLOR, UV STABLE.
 2. SEE STANDARD PACKAGING INSTRUCTIONS FOR PACKAGING PROCEDURE.



PEDESTALPRO.COM
1-800-660-3072

UNLESS OTHERWISE SPECIFIED:
 DIMENSIONS ARE IN INCHES
 TOLERANCES:
 FRACTIONAL $\pm 1/32$
 ANGULAR: $\pm 2^\circ$
 TWO PLACE DECIMAL ± 0.010
 THREE PLACE DECIMAL ± 0.005
 INTERPRET GEOMETRIC TOLERANCING PER: ASME Y14.5 -2009

NAME	DATE
DRAWN	
CHECKED	
PROPRIETARY AND CONFIDENTIAL	
THE INFORMATION CONTAINED IN THIS DRAWING IS THE SOLE PROPERTY OF PEDESTALPRO LLC. ANY REPRODUCTION IN PART OR AS A WHOLE WITHOUT THE WRITTEN PERMISSION OF PEDESTALPRO LLC IS PROHIBITED.	

TITLE: ASSEMBLY		DATE: Friday, March 8, 2019 3:13:13 PM	SIZE: A	PART NO. LANDO-PC-20X16-E	REV A
WEIGHT:		NO SCALE	SHEET 2 OF 5		