
INSTALLATION MANUAL: UD-2000 DIGITAL ALARM COMMUNICATOR

NOTICE TO THE INSTALLER

This manual provides an overview and the installation instructions for the UD-2000 module.

All terminals are power limited and should be wired in accordance with the requirements of NFPA 70 (NEC) and NFPA 72 (National Fire Alarm Code). Failure to follow the wiring diagrams in the following pages will cause the system to not operate as intended. For further information, refer to the control panel installation instructions.

The module shall only be installed with listed control panels. Refer to the control panel installation manual for proper system operation.

1. DESCRIPTION

The UD-2000 Digital Alarm Communicator Transmitter (DACT) provides for up to two (2) phone lines for communication to a monitoring station. The UD-2000 DACT communicates using the SIA-DCS or Ademco Contact ID protocols. When enabled, the DACT automatically monitors each phone line or voltage and has the ability to seize the line and connect with a remote receiver. Once the communication is complete, the DACT will hang up the phone line.

The DACT is provided with terminal blocks for each phone line. In order for the DACT to work properly, it must be installed on a plain old telephone service (POTS) or equivalent as deemed by the authority having jurisdiction. The DACT must be installed before any other equipment to ensure it can seize the line and disconnect any other lines.

Phone lines are high voltage and should be run in a separate conduit from other circuits. The wire conductors connecting the DACT to the phone system should be 26 AWG or larger.

When the phone lines are connected to the control panel, the phone lines are supervised. The phone line are non-power limited and should be routed accordingly.

UD-2000 comes factory addressed as address 1.

To comply with UL 864 10th Edition, an alternate source of communication shall be used as the secondary means of communications and shall not be a phone line.

Before connecting a device to the RS-485, take the following precautions to prevent potential damage to the RS-485 connection or P-Link or device.

- Power to the UD-2000 connection is removed.
- Field wiring on module is correctly installed.
- Field wiring has no open or short circuits.

2. TECHNICAL SPECIFICATIONS

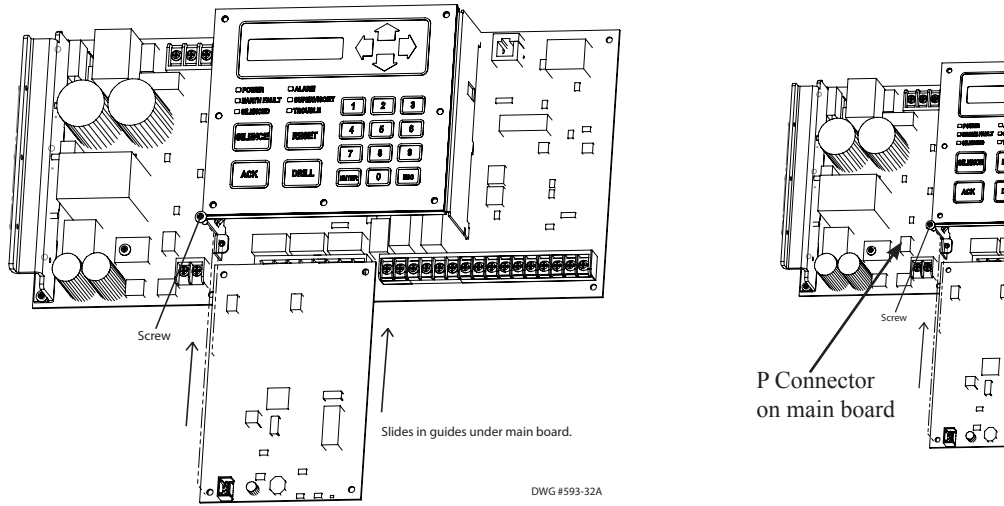
Standby Current	16 mA
Alarm Current	23 mA
Operating Temperature Range	32° to 120°F (0° to 49° C)
Operating Humidity Range	10%-93% (non-condensing)
Max no. of UD-2000 Expanders	31
Dimensions (WxHxD)	4" x 6" x 1 5/8"

3. INSTALLATION

The UD-2000 is connected to the fire control panels using the provided four-wire cable connection (P/N 5210514) between P4 and UD-2000 P1. The connection is power limited and supervised. The UD-2000 must be mounted in the control panel cabinet. The wiring diagrams shown below illustrate where to connect. The connection is power limited and supervised.

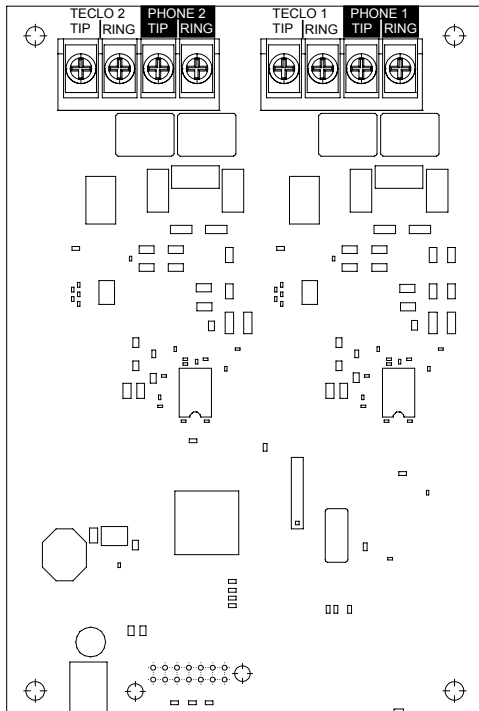
INSTALLATION MANUAL: UD-2000 DIGITAL ALARM COMMUNICATOR

FIGURE 1. EXAMPLES OF WIRING A UD-2000 WITH P CONNECTOR ON SMALL PLATFORM CONTROL PANEL



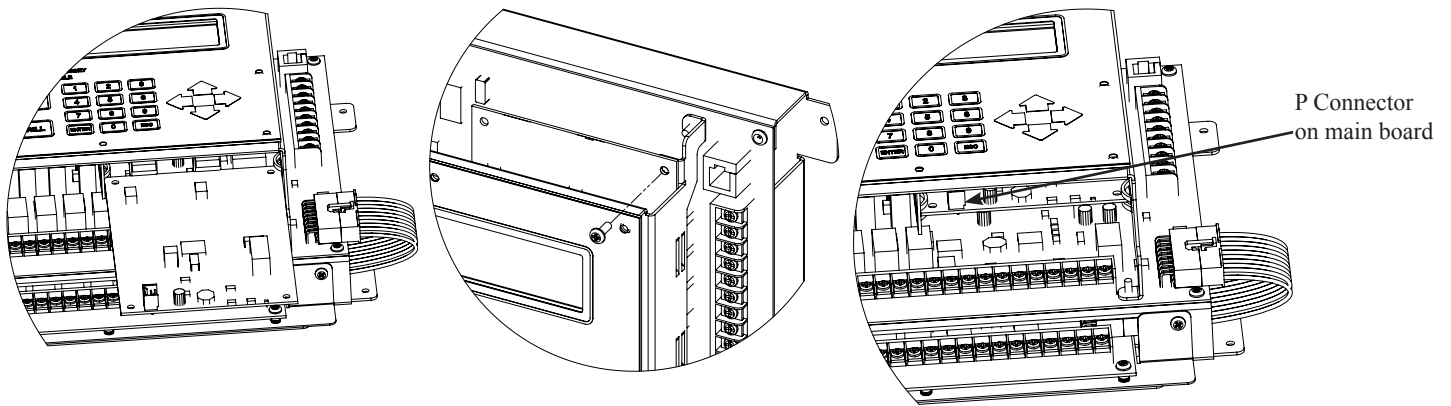
1. Power system down.
2. Slide the UD-2000 DACT into the card guides located under the User Interface bracket.
3. Secure the UD-2000 DACT to the User Interface bracket using the provided #6-32x3/8" screw (#1 shown above).
4. Install the provided four-wire (4) conductor jumper (P/N 5210514) between UD-2000 P1 and P4.

FIGURE 2. UD-2000



INSTALLATION MANUAL: UD-2000 DIGITAL ALARM COMMUNICATOR

FIGURE 3. EXAMPLE OF WIRING A UD-2000 MODULE WITH P CONNECTOR ON LARGE PLATFORM CONTROL PANEL



NOTES:

- Wire preparation – strip all wires 1/4 inch from their edges as shown here:
 - Stripping too much insulation may cause a ground fault.
 - Stripping too little may cause a poor connection and subsequently an open circuit.



These instructions do not purport to cover all the details or variations in the equipment described, nor provide for every possible contingency to be met in connection with installation, operation and maintenance.

Specifications subject to change without prior notification.

For Technical Assistance contact Potter Electric Signal Company at 866-956-1211.

Actual performance is based on proper application of the product by a qualified professional.

Should further information be desired or should particular problems arise, which are not covered sufficiently for the purchaser's purpose, the matter should be referred to a distributor in your region.