



Features

- Operates on 25 Vrms or 70 Vrms signal lines.
- Multiple power taps @ 0.5, 1, 2, 7, and 15 watts.
- High dB output for coverage of large areas.
- UL sound pressure level 99 dB(A) at 10 feet (see chart).
- Built-In 15 watt high efficiency compression driver.
- Rugged explosion-proof circuitry housing.
- Wide frequency response, 400-4000 Hz.
- Supervisory capacitor.
- NEMA 3 rated enclosure
- Indoor or outdoor mounting



Description

CPG Signals Model SPHX Powertone® Explosion-proof Speaker is designed for use in hazardous locations. The unit produces a crisp, clear, high decible tone/voice output on any 25 Vrms or 70 Vrms tone/voice audio system.

The speaker cone and projector are of spun aluminum. The speaker driver and circuitry are contained in an explosion-proof housing. The speaker has a supervisory DC coupling capacitor and wattage taps from 0.5 to 15 watts. The speaker is listed for indoor or outdoor use, is NEMA 3 rated, and is finished in red enamel. The PowerTone® speaker is designed for connection to system supervised alarm notification circuits.

Weatherproof corrosion-resistant surface mount speaker is required.

Technical Specifications

Model Number	SPHX-DVSMR
Operating Voltage	25/70 Vrms
Power Input (selectable)	0.5 W, 1 W, 2 W, 7 W and 15 W
Material	Speaker: Spun Aluminum Housing: Die-Cast Aluminum
Operating Temperature Range	-40°F to 151°F

Application

The PowerTone® speaker is well suited for signaling in hazardous areas with high ambient noise levels where a high efficiency, weatherproof and corrosion-resistant surface mount speaker is required. The speaker is designed for locations where the danger of explosion or fire exists. The speaker is suitable for use in National Electrical Code (NFPA 70): Class I, Groups B, C, and D, Division 1 hazardous locations. The speaker may be used with any 25 Vrms or 70 Vrms audio system. The speaker can be mounted indoors or outdoors and is NEMA 3 rated.

Model SPHX Explosion-proof Speaker Specifications

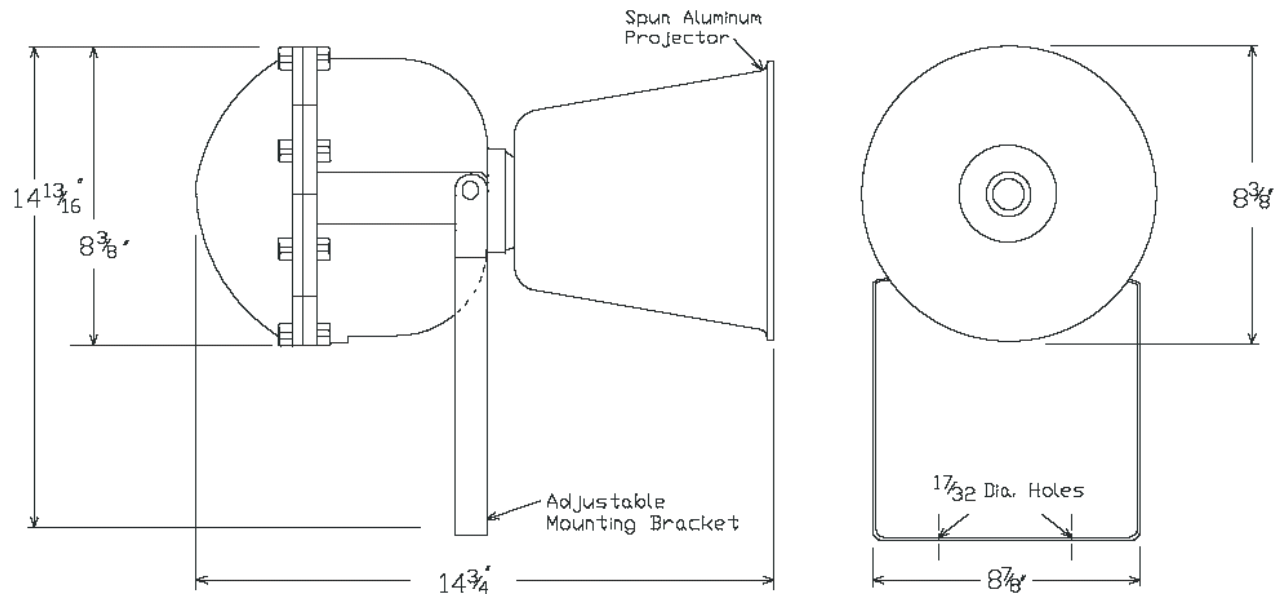
Model	Nominal Input Voltage	Frequency Response	UL dB(A) Sound Pressure	dB(A) Sound Power	Dimensions	Shipping Weight (Approx.)
SPHX-DVSMR	25 or 70Vrms	400-4000Hz	99	116.8	14 13/16" H x 8 7/8" W x 14 3/4" D	15 LBS

Model SPHX dB Specifications

Wattage Tap	UL dB(A) Sound Pressure	dB(A) Sound Power
0.5	87	104.2
1	90	106.8
2	93	109.6
7	99	114.2
15	99	116.8

Hazardous Locations

Class	Group	Division
I	B, C, D	1



WARNING

- Installation must be performed by qualified personnel and in accordance with all national and local codes and ordinances.
- Shock hazard. Disconnect power source before servicing. Serious injury or death could result.
- Read all instructions carefully and understand them before starting installation. Save instructions for future use. Failure to read and understand instructions could result in improper operation of device resulting in serious injury or death.

Ordering Information

Part Number	Ordering Part Number	Description
SPHX-DVSMR	1460235	Explosion-proof Speaker, Surface Mount, 25 Vrms or 70 Vrms, Red