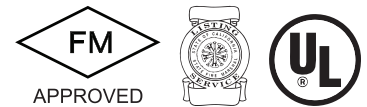
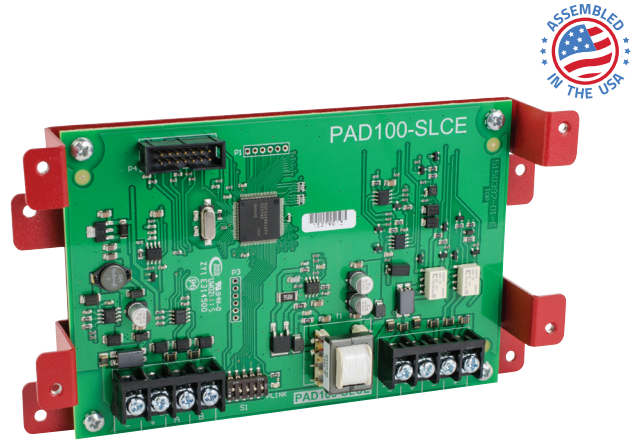


Features

- No special wiring for SLC or P-Link connection
- SLC Class A, X or B capable
- Mounts with included stacker bracket
- May mount in panel, accessory cabinet, or PSN-1000/E Power Supply
- Product includes a 5 year warranty
- UUKL Listed for Smoke Control



Description

The Signaling Line Circuit Expander PAD100-SLCE allows up to thirty one additional loops. Each loop adds 127 addressable sensors or modules in any combination. The PAD100-SLCE may be configured for Class A or Class B wiring without the need for additional modules. The PAD100-SLCE communicates with the control panel via the Potter P-Link communication bus. The loop adder is mounted in either the control panel cabinet, the intelligent power supply, AE-2, AE-8 or the AE-14 expander cabinet. Each card is mounted to the exclusive Stacker Bracket for secure and accessible mounting.

Technical Specifications

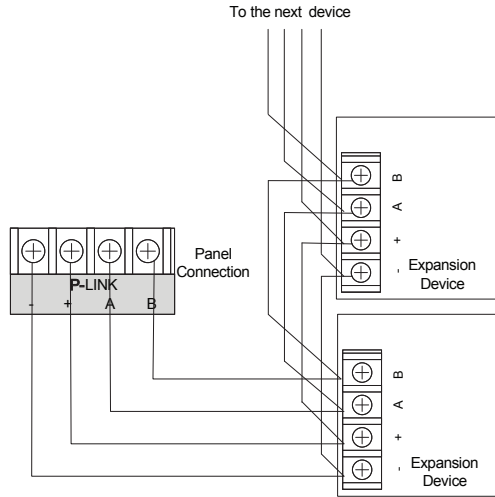
Standby Current	50mA
Alarm Current	50mA
Operating Temperature	0°C–49°C (32°F–120°F)
Operating Humidity Range	10% - 93% (non-condensing)
Max no. of PAD100-SLCE	31
Dimensions	(W x H x D) 4" x 6" x 1-1/8"

Installation

The PAD100-SLCE is connected to the IPA and AFC/ARC series panels using a four wire RS-485 connection. This connection is power limited and supervised. The PAD100-SLCE can be installed in the AE-2 Accessory Enclosure, AE-8 Accessory Enclosure, AE-14 Accessory Enclosure or inside the large IPA or AFC series enclosure using the supplied bracket.

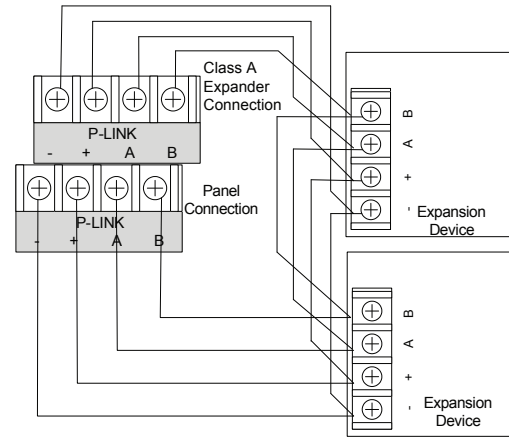
PAD100-SLCE Class B P-LINK Wiring Example

Fig 1



PAD100-SLCE Class A P-LINK Wiring Example

Fig 2



Ordering Information

Model	Description	Stock No.
PAD100-SLCE	Addressable Loop Expander	3992722