

Features

- Supervised Duct Detector Test Switch
- Active and Pilot LED indicators
- Key matches the fire alarm control panels
- Compatible with IPA and AFC/ARC Series panels
- Mounts in a single gang box
- All wiring terminals accept 22 to 12 AWG
- Product includes a 5 year warranty
- UUKL Listed for Smoke Control



Description

The PAD100-DRTS module does not require an SLC loop address. The PAD100-DRTS provides a supervised remote test switch for the PAD100-DUCTR duct detector. Active and Pilot LEDs provide status of the PAD100-DUCTR detector. Keyed switch allows remote testing of the PAD100-DUCTR duct detector.

Application

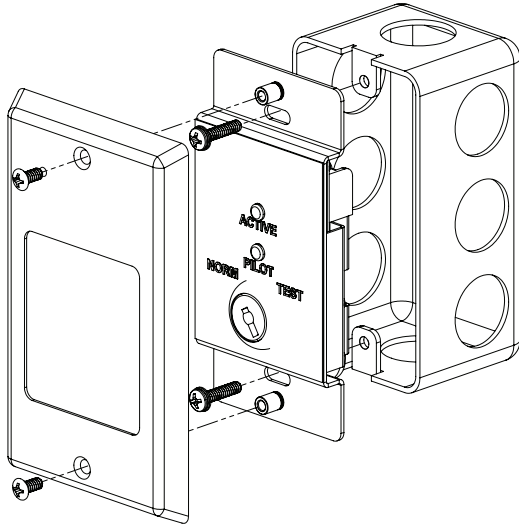
The PAD100-DRTS is compatible with Potter's PAD100-DUCTR Duct detector. It installs on a single gang box.

Technical Specifications

Operating Voltage	24.0V
Max Standby Current	10mA
Max Alarm Current	15mA
Environmental Limitations	32°F - 120°F (0° - 49°C) Indoor Only
Operating Humidity Range	0 to 93% (non-condensing)
Max no. of Modules Per PAD100-DUCTR	1 unit
Dimensions	4.75" (187mm) H x 2.75" (108mm)W x 1" (40mm)D
Mounting Options	Single gang box or Potter P32-BB/DBB
Shipping Weight	0.65 lbs

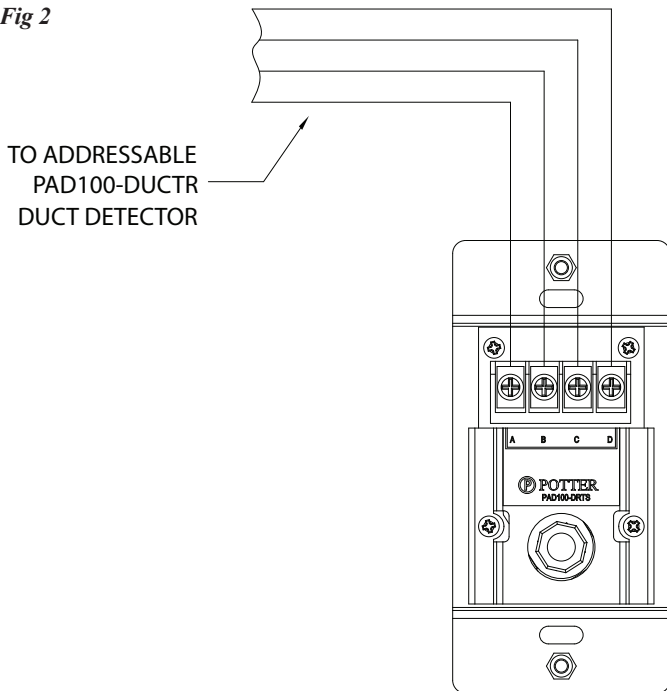
Installation Using Compatible Electrical Box

Fig 1



PAD100-DRTS Back View and Wiring

Fig 2



Ordering Information

Model	Description	Stock No.
PAD100-DRTS	Duct Remote Test Switch	3992711