

Installation Manual: PAD100-DRTS Duct Remote Test Switch

NOTICE TO THE INSTALLER

This manual provides an overview and the installation instructions for the PAD100-DRTS module. This module is only compatible with addressable fire systems that utilize the PAD Addressable Protocol.

All terminals are power limited and should be wired in accordance with the requirements of NFPA 70 (NEC) and NFPA 72 (National Fire Alarm Code). Failure to follow the wiring diagrams in the following pages will cause the system to not operate as intended. For further information, refer to the control panel installation instructions.

The module shall only be installed with listed control panels. Refer to the control panel installation manual for proper system operation.

1. Description

The PAD100-DRTS provides a supervised remote test switch for the PAD100-DUCTR duct detector. Active and Pilot LEDs provide status of the PAD100-DUCTR detector. Keyed switch allows remote testing of the PAD100-DUCTR duct detector. It installs on a single gang box or Potter P32-BB/DBB.

Before connecting a device to the PAD100-DUCTR, take the following precautions to prevent potential damage to the SLC or device.

- Power to the PAD100-DUCTR is removed.
- Field wiring on module is correctly installed.
- Field wiring has no open or short circuits.

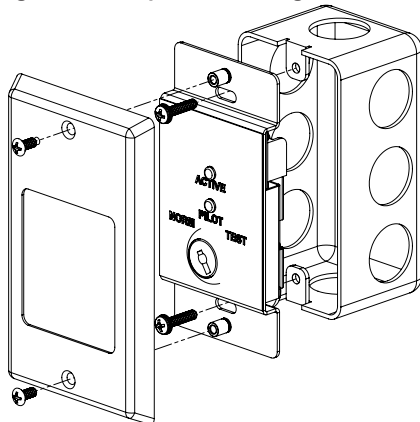
2. Technical Specifications

Operating Voltage	24.0V
Max Standby Current	10 mA
Max Alarm Current	15 mA
Max. no. of PAD100-DRTS per PAD100-DUCTR	1
Operating Temperature Range	32° to 120° F (0° to 49° C) Indoor Only
Operating Humidity Range	0 to 93% (non-condensing)
Dimensions	4.75" L x 2.75" W x 1" D
Mounting Options	Single gang box or Potter P32-BB/DBB
Shipping Weight	0.65 lbs

3. Wiring Diagram

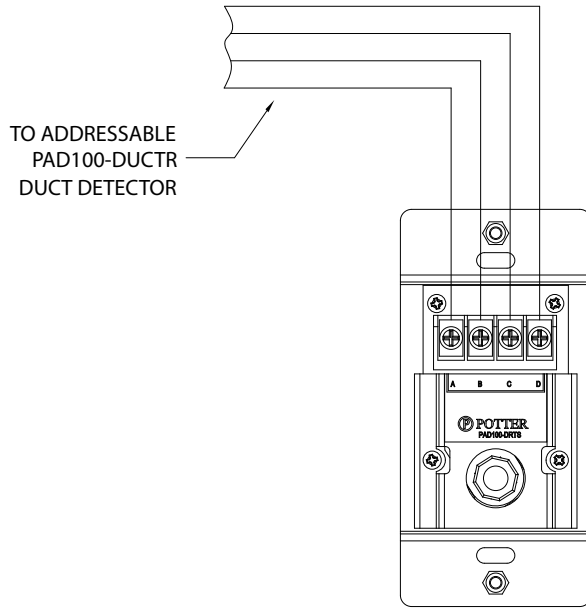
The wiring diagram shown below illustrates how to wire a PAD100-DRTS. Additionally, an installation diagram shows how to install the module using a compatible electrical box.

Figure 1. Example of Installing a PAD100-DRTS Using a Compatible Electrical Box



INSTALLATION MANUAL: PAD100-DRTS DUCT REMOTE TEST SWITCH

Figure 2. Example of Wiring a PAD100-DRTS Duct Detector



Notes:

- All wiring is supervised.
- All wiring is between #12 (max.) and #22 (min.).
- Wire Preparation – Strip all wires 1/4 inch from their edges as shown here:
 - Stripping too much insulation may cause a ground fault.
 - Stripping too little may cause a poor connection and subsequently an open circuit.



These instructions do not purport to cover all the details or variations in the equipment described, nor provide for every possible contingency to be met in connection with installation, operation and maintenance.

Specifications subject to change without prior notification.

For Technical Assistance contact Potter Electric Signal Company at 866-956-1211.

Actual performance is based on proper application of the product by a qualified professional.

Should further information be desired or should particular problems arise, which are not covered sufficiently for the purchaser's purpose, the matter should be referred to a distributor in your region.