

Features

- One (1) Class B monitoring input
- One (1) Form C relay contact
- SLC Class A, Class X & Class B
- Mounts in a standard 4" or double gang box
- Wiring terminals accessible when mounted in box
- All wiring terminals accept 22 to 12 AWG
- Product includes a 5 year warranty
- UUKL Listed for Smoke Control

NOTE: This addressable module does not support 2-wire smoke detectors.



Description

The PAD100-OROI uses one (1) SLC loop address when monitoring one (1) Class B circuit and providing one (1) Form C relay contact. The module mounts on either a 4" square or double gang box. The module is capable of monitoring one (1) Class B circuit. The PAD100-OROI includes one red LED to indicate the module's status. In normal condition, the LED flashes when the device is being polled by the control panel. When a the input is activated, the LED will flash at a fast rate.

Application

The PAD100-OROI is compatible with Potter's IPA and AFC/ARC series addressable fire alarm control panels. The PAD100-OROI is an interface module used to monitor dry contact devices such as sprinkler waterflow, valve tamper switches, or conventional pull stations. The module is capable of monitoring one Class B circuit. The PAD100-OROI also provides one (1) form C relay contact.

Setting the Address

Each addressable SLC device must be assigned an address. The address is set using the DIP switch located on the PAD100-OROI. When the PAD100-OROI is used to monitor one Class B circuit a single device address is assigned, the input and relay are then identified as a sub-point of the module address. For example, if the address number is assigned as "8", the RLY1 relay will be "8.1" and the IN1 input will be "8.2".

Before connecting a device to the SLC loop, take the following precautions to prevent potential damage to the panel or device:

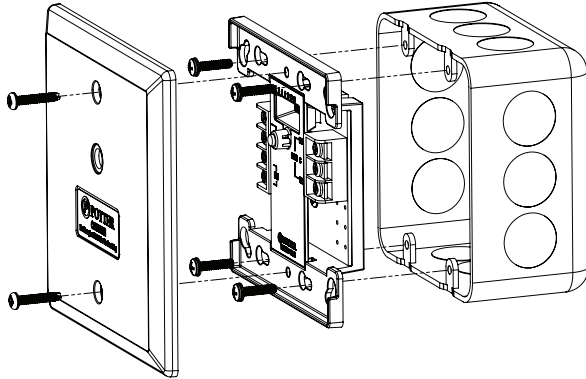
1. Power to the device is removed.
2. Field wiring is correctly installed.
3. Field wiring has no open or short circuits.

Technical Specifications

Operating Voltage	24.0V
Max SLC Standby Current	240 μ A
Max SLC Alarm Current	240 μ A
Relay Contacts	2A @30VDC, 0.5A @125VAC
Max Wiring Resistance of IDC	100 Ω
Max Wiring Capacitance of IDC	1 μ F
EOL Resistor	5.1K Ω
Operating Temperature Range	32 to 120°F (0 to 49°C)
Operating Humidity Range	0 to 93% (non-condensing)
Max no. of Module Per Loop	127 units
Dimensions	4.17" (106mm)L \times 4.17" (106mm)W \times 1.14" (29mm)D
Mounting Options	Standard 4" Square or Double Gang Box
Shipping Weight	0.6 lbs

Installation Using Compatible Electrical Box

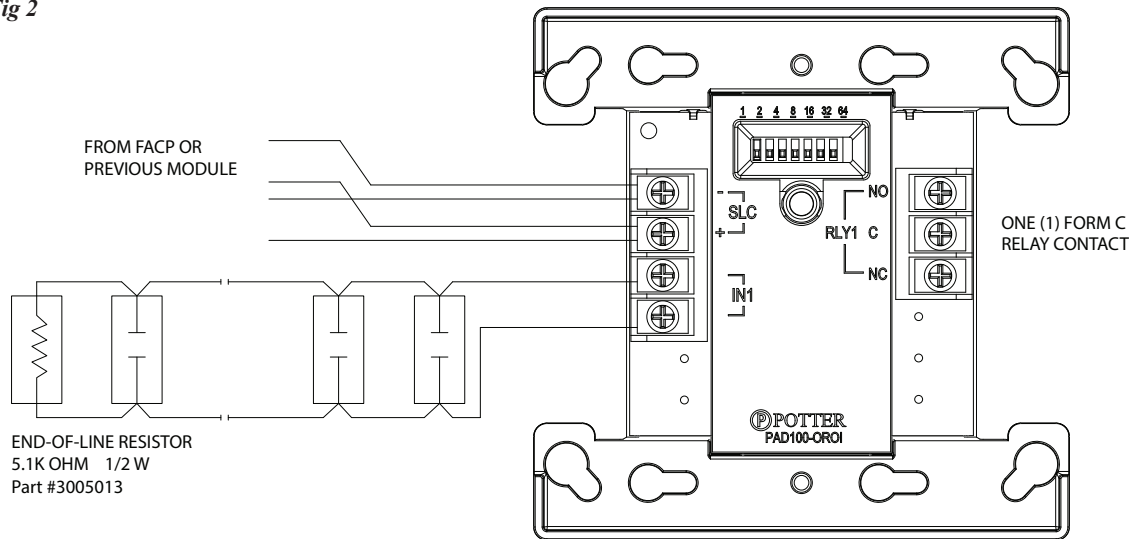
Fig 1



Wiring Diagram

PAD100-OROI With One Class B Circuit

Fig 2



NOTICE

It is possible that the internal relay in the PAD100-OROI may be shipped in the non-normal / activated state. To ensure that the internal relay is set to the normal state, connect the module to the SLC loop and reset the control panel before terminating the wiring to the modules output.

Ordering Information

Model	Description	Stock No.
PAD100-OROI	One Relay One Input Input Module	3992702