

**Stock numbers:**

3992500 - UDACT-9100 (must be programmed by CFG-LCD or UIMA)

3992505 - CFG-LCD (required for programming and troubleshooting of the UDACT-9100)

- Communicates with PFC-5000 or PFC-9000 Series fire alarm control panels via an RS-485 data link
- Programmed to use the Ademco Contact ID and SIA-DCS reporting protocols
- Can be configured for DACT or UDACT mode of operation
- DACT mode transmits a common Alarm, Supervisory, Waterflow and Trouble information
- UDACT mode transmits point-specific Alarm, Supervisory, Waterflow, and Trouble information
- UDACT-9100 has the ability of disconnecting the incoming and outgoing calls and capturing the line for transmission to the Digital Alarm Communicator Receiver (DACR)
- Onsite or remote programming
- Onsite configurable with the on-board keypad and the CFG-LCD Configuration Tool or using the UIMA Programming Tool and a computer with an available serial or USB port
- Remotely configurable via a Personal Computer with a modem (Configuration is passcode protected)
- Provides telephone line monitoring and reports status via LED indication on-board
- Provides event logs of 500 entries each to save events from local dialer or remote fire alarm panel
- Logs can be reviewed locally with the CFG-LCD Configuration Tool or remotely via modem
- Continuously supervises the status of each of two connected telephone lines at approximately one minute intervals
- Mounts in a dedicated location in the PFC-5000 or PFC-9000 Series main chassis

**Description**

The UDACT-9100 Digital Alarm Communicator Transmitter/Dialer Module allows PFC-5000 or PFC-9000 Series Fire Alarm Control Panels to transmit Alarm, Supervisory and Trouble information on two telephone lines to a monitoring facility.

The UDACT-9100 is powered by the host fire alarm control panel and communicates with the fire alarm control panel via an RS-485 data link. The Digital Communicator can be programmed for dual line operation and uses the Security Industry Association (SIA) and Ademco Contact ID reporting protocols.

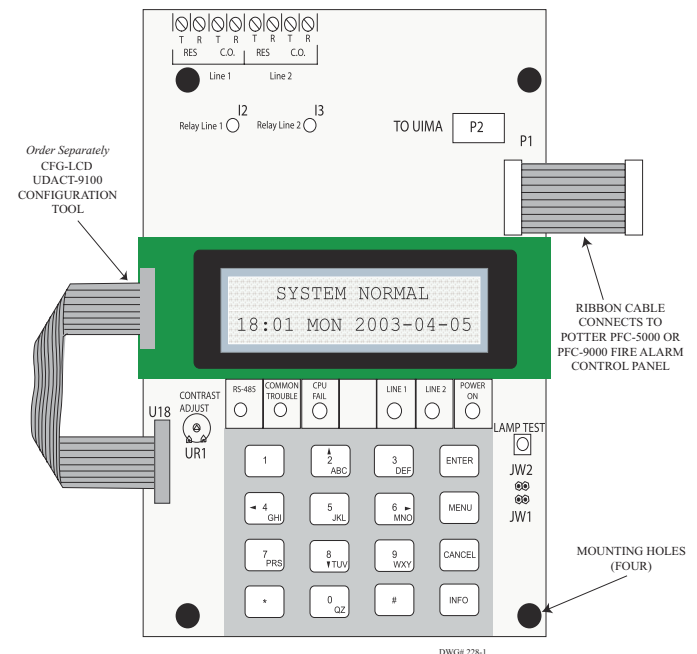
The UDACT-9100 can be configured locally via the on-board keypad and the CFG-LCD Configuration Tool or with a UIMA programming tool and a computer with an available serial or USB port. In addition the UDACT-9100 can be remotely configured using a personal computer with a modem.

The UDACT-9100 can be configured for either DACT or UDACT operation. In DACT mode the Digital Communicator reports common alarm, trouble and supervisory information. In UDACT mode the Digital Communicator reports point specific information.

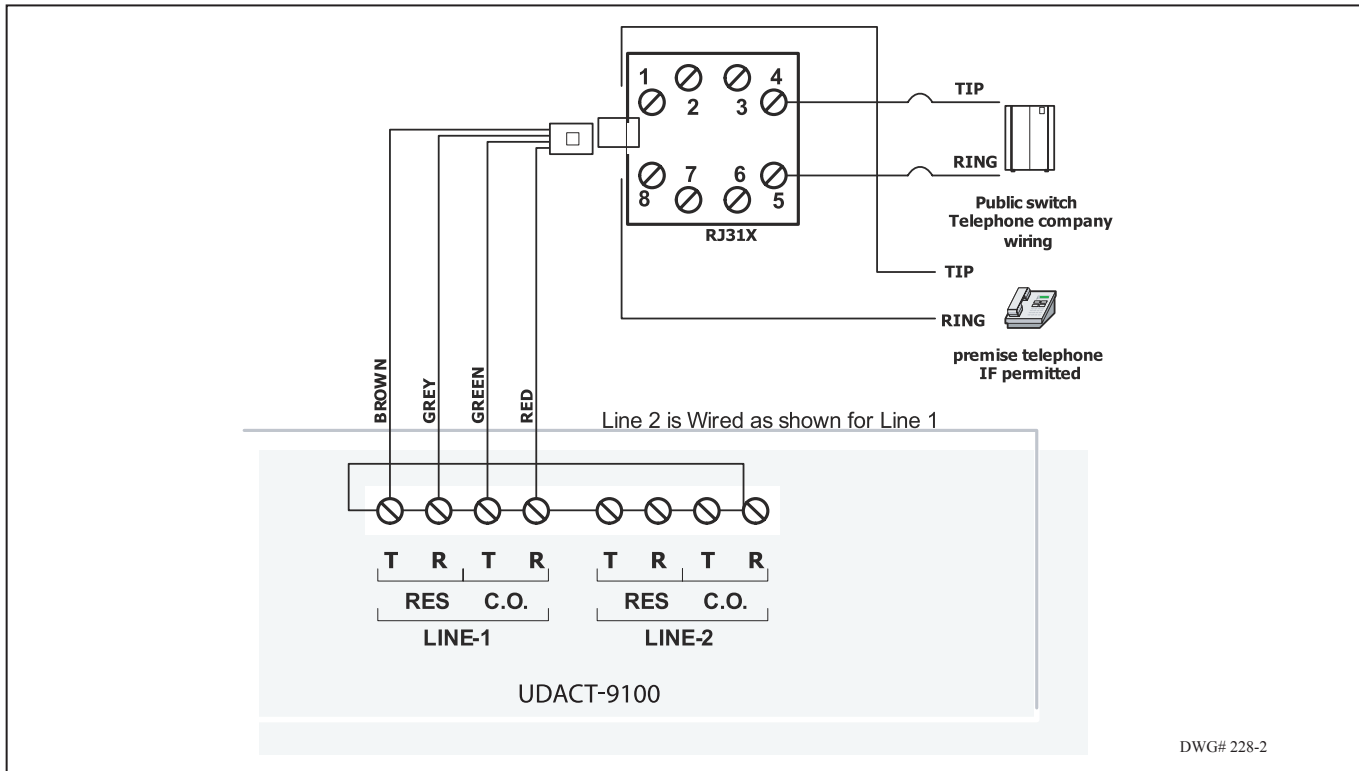
**Current Consumption**

Standby	40 mA
Alarm	60 mA

**UDACT-9100 Connection Diagram**



**UDACT-9100 Wiring Diagram**



**CFG-LCD Configuration Tool**

The CFG-LCD Configuration Tool is required for onsite programming of the UDACT-9100. The CFG-LCD plugs into the UDACT-9100 to provide a two line by 20 character LCD display. The CFG-LCD tool is used for configuration purposes only and not for normal operation.

**Application Note:**

Only the CFG-LCD will field program the UDACT-9100. The CFG-5000 is used on the DACT-5000 and UDACT-9000.

