

PP350/PP351/PP450/PP451 Mount

PARAPET, WALL/ROOFTOP MOUNT, SPECTRA®, DF5, AND DF8 DOMES

Product Features

- Easy to Install
- Aluminum Construction
- Maximum Load 45 Pounds (20.41 kg)
- For Use with Small and Medium Outdoor Pendant Mount Domes that Use 1.5-Inch NPT Pipe (Including Spectra®, DF5, and DF8 Series)
- PP350/PP450 Mounts to Inside or Outside of Parapet Wall; PP351/PP451 Mounts to Rooftop or Smooth Horizontal Surface
- Swivels for Easy Installation and Access to Dome
- Removable End Cap for Easy Access to Wiring



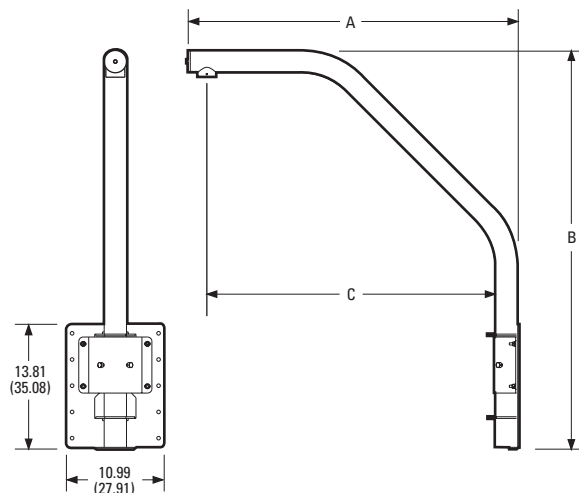
PP350 PARAPET WALL MOUNT

The **PP350** and **PP351** mounts were designed for outdoor use with small-size pendant domes (such as Spectra and DF5 Series), and the **PP450** and **PP451** are for outdoor use with medium-size pendant domes (such as DF8 Series). The **PP350** and **PP450** models mount to parapets, while the **PP351** and **PP451** models mount to rooftops or other smooth horizontal surfaces. All models accommodate domes that use 1.5-inch NPT pipe.

The **PP450** and **PP451** can be used in applications where mounting and height clearances of models **PP350** and **PP351** are inadequate. Models **PP450** and **PP451** are higher by 9.72 inches (24.69 cm) and the overhang is increased by 14.77 inches (37.52 cm).

The mounts are designed to swivel within available clearance limits, which adds to the flexibility, easy maintenance, and usability of the configuration.

Manufactured from aluminum, the mounts include indexing bolts to secure the arm in position.



	A		B		C	
PP350	25.50	(64.77)	35.08	(89.10)	20.42	(51.87)
PP450	37.66	(95.65)	42.00	(106.68)	33.00	(83.82)

NOTE: VALUES IN PARENTHESES ARE CENTIMETERS; ALL OTHERS ARE INCHES.



TECHNICAL SPECIFICATIONS

MODELS

PP350	Parapet or vertical wall mount for small-size pendant domes; mounts to inside or outside of parapet
PP351	Rooftop or smooth horizontal surface mount for small-size pendant domes
PP450	Same as PP350 except overhead clearance and height accommodate medium-size pendant domes
PP451	Same as PP351 except overhead clearance and height accommodate medium-size pendant domes

MECHANICAL

Positioning Adjustment	360°
Mounting Method	Secure to mounting surface with 3/8-16 type fastening hardware (not supplied). Multiple fastening positions facilitate mounting flexibility. For models PP350 and PP450, mount using a minimum of six fasteners For models PP351 and PP451, mount using a minimum of eight fasteners
Dome Mounting	Dome screws directly into mount

GENERAL

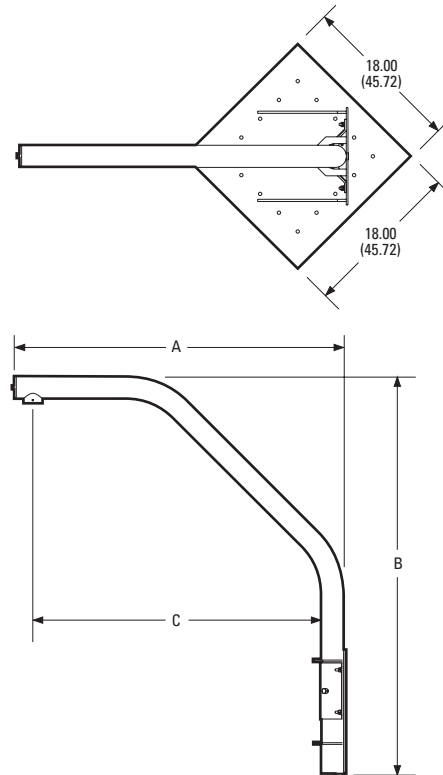
Maximum Load	45 lb (20.41 kg) approximate
Effective Projected Area (EPA)	
PP350/PP351	~133 square inches
PP450/PP451	~177 square inches
Construction	Aluminum
Finish	Gray polyester powder coat
Environment	Outdoor
Unit Weight	
PP350	9.30 lb (4.22 kg)
PP351	20.19 lb (9.16 kg)
PP450	10.38 lb (4.71 kg)
PP451	22.53 lb (10.22 kg)
Shipping Weight	
PP350	15 lb (6.80 kg)
PP351	33 lb (14.95 kg)
PP450	17 lb (7.70 kg)
PP451	35 lb (15.85 kg)

CERTIFICATIONS/RATINGS

- UL Listed (models PP350 and PP351)



PP351 PARAPET ROOFTOP MOUNT



	A	B	C
PP351	25.50 (64.77)	35.27 (89.59)	20.42 (51.87)
PP451	37.66 (95.65)	42.19 (107.16)	33.00 (83.82)

NOTE: VALUES IN PARENTHESES ARE CENTIMETERS; ALL OTHERS ARE INCHES.



Pelco, Inc. Worldwide Headquarters:
3500 Pelco Way, Clovis, California 93612-5699 USA
USA & Canada Tel: (800) 289-9100 • FAX: (800) 289-9150
International Tel: +1 (559) 292-1981 • FAX: +1 (559) 348-1120
www.pelco.com

Pelco, the Pelco logo, and Spectra are registered trademarks of Pelco, Inc.
Product specifications and availability subject to change without notice.
©Copyright 2003, Pelco, Inc. All rights reserved.